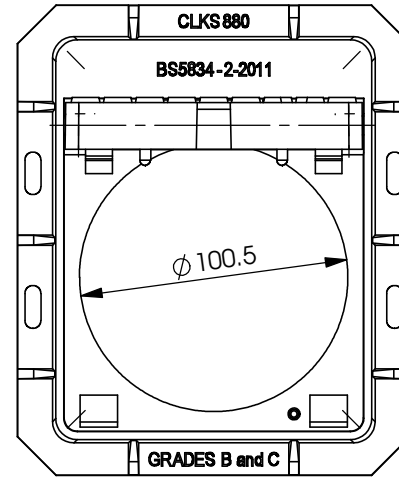
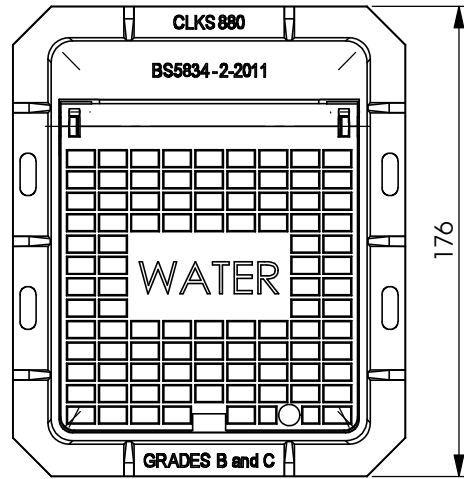


01	07/03/2014		
Iss	Date	DESCRIPTION	By



STEEL PLATE
FOR FOR
REMOTE SENSING
DEVICES

