

PRODUCT DATASHEET

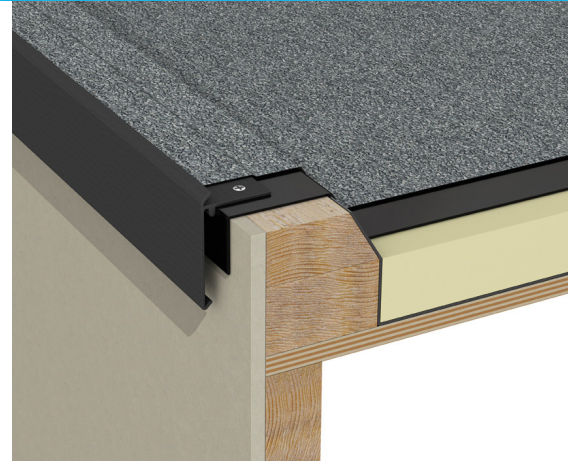
GRP Roof Edge Trim

RynoTrim GRP roof edge trim and termination bar is manufactured from pultruded glass fibre reinforced polyester. The enhanced composition ensures that trim is highly durable and resilient to adverse weather conditions and atmospheric pollution.

They are supplied in 3m lengths and can be easily cut on site to follow the alignment of the roof edges, and are suitable for both new build and refurbishment projects.

Profiles are available from stock in black, white and grey. Further colours available to special order.

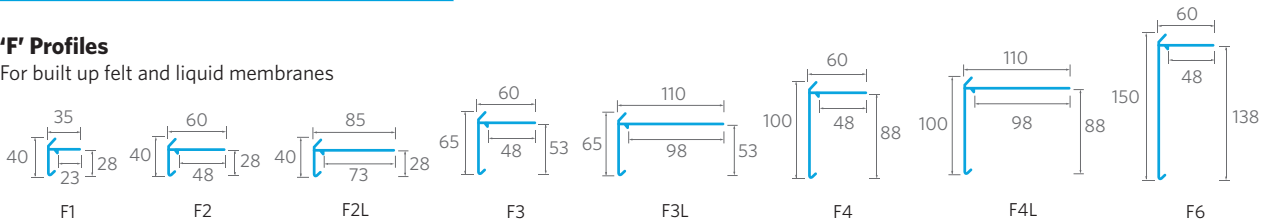
Preformed corners are available for all trim profiles.



TRIM PROFILES

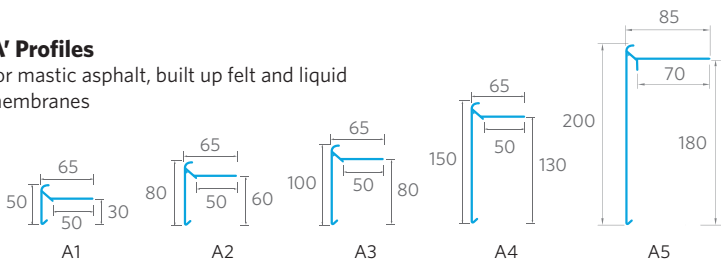
'F' Profiles

For built up felt and liquid membranes



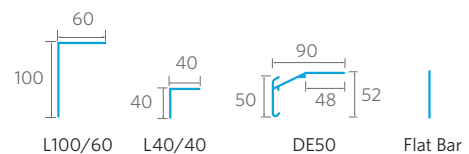
'A' Profiles

For mastic asphalt, built up felt and liquid membranes



Drip Edge and other profiles

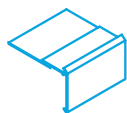
Black only



Specialist applications



Notched fixing arm
For curved applications



Extended fixing arm
For extra fixing strength



Top lip removed
For drip edge applications



Felt stop
Where no trim face is required

TRIM CORNERS

Pre-formed corners eliminate the need for on-site mitre cutting. They also ensure a neat, accurate and watertight detail at any change in roof edge direction. Standard size 90° external and internal corners are available from stock.

Bespoke corners are available to special order, to suit specific requirements.

These include but are not limited to:

- Manufactured to any specific angle
- Manufactured to suit change in roof gradient
- Manufactured to any specific length
- Multiple corners



Castlepoint
Castle Way
Ellon AB41 9RG

01358 726000
sales@rynogroup.co.uk
rynogroup.co.uk

PRODUCT DATASHEET

GRP Roof Edge Trim

TRIM SUPPLY & INSTALLATION

RynoTrim is supplied in 3m length, complete with necessary connectors. There are 10 lengths per carton.

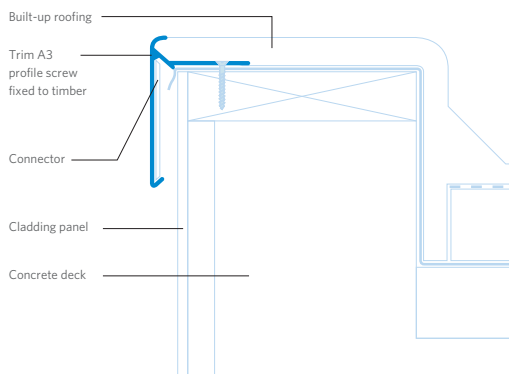
All drilling and cutting can be carried out using traditional tools. RynoTrim is normally fixed over the first layer of a built-up roofing system or the sheathing felt when asphalt is used. Typical details are shown below.

The trim should be fixed at maximum 300mm centres, using suitable fixings. A comprehensive range of fixings and drill bits are available from stock.

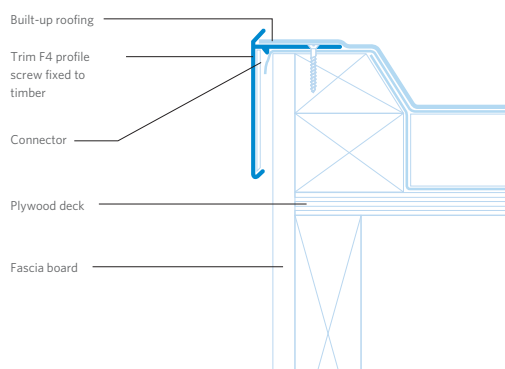
All lengths should be close butt jointed, using the connecting pieces supplied.



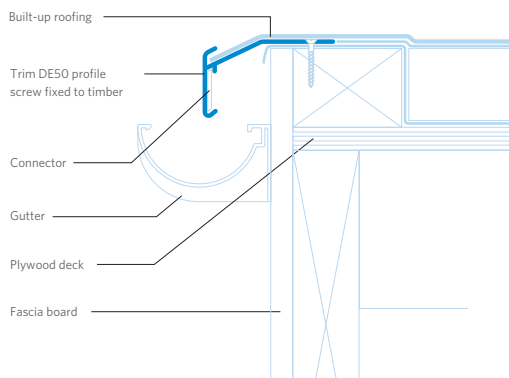
Asphalt finish on concrete deck



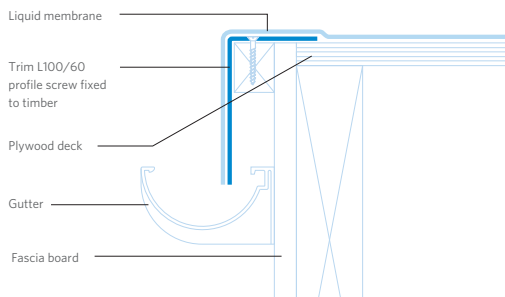
Felt finish on plywood deck



Felt finish on plywood deck



Liquid finish on plywood deck



Fixings and Sealant

Ryno offers a range of fixings and sealant to complement the Trim and Termination Bar ranges.



Castlepoint
Castle Way
Ellon AB41 9RG

01358 726000
sales@rynogroup.co.uk
rynogroup.co.uk