

VICTORIA-N

Reversible column unit



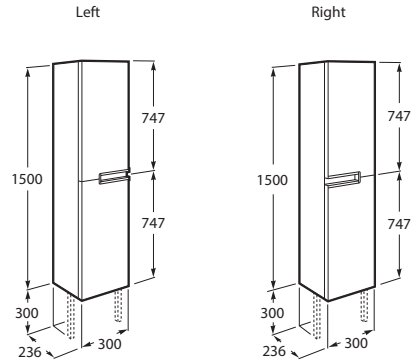
DIMENSIONS

Length 300 mm  
 Width 236 mm  
 Height 1500 mm

COLOURS AND FINISHES

806 Gloss White

TECHNICAL DRAWINGS



FEATURES

- Adjustable shelves
- Closing and opening system: Soft close doors
- Door type: Hinged
- Doors and drawers combination: 2 doors
- Furniture configuration: Doors
- Installation type: Wall-hung, Wall-hung with optional legs
- Internal shelves: 3
- Legs compatibles: 2 Legs
- Publication Status
- Reversible



Left hand opening



Right hand opening

COMPATIBLE WITH



Optional leg set (x2)

816413001

## Victoria-N

A traditional response to classic atmospheres. Elegant and functional curves in an extensive collection of pieces that combine simplicity and versatility, offering the convenience of well-tryed solutions.



### INSTALLATION AND USER MANUALS



[User manual](#)



[Installation manual](#)



[Spare Parts Catalogue](#)