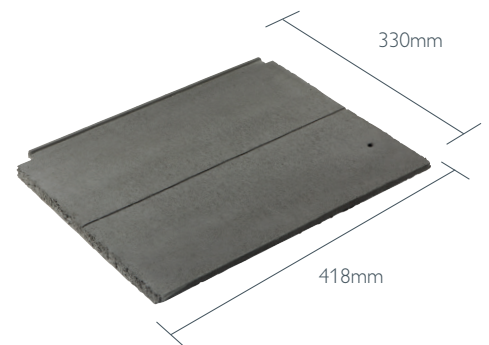


# Mockbond Richmond 10 Slate

Lower minimum pitches and small slate appearance make this one of the most versatile roofing tiles you can specify.

## KEY ADVANTAGES

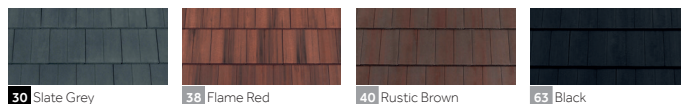
- Small slate appearance, but with speed and ease of larger format installation
- Low minimum pitch adds versatility



## PRODUCT DATA

<b>Size</b> (overall)	418 x 330mm
<b>Minimum Pitch and Headlap</b>	17.5° at 100mm headlap / 27.5° at 75mm headlap (The minimum pitch is based on a maximum rafter length of 10 metres. For rafter lengths greater than this, please contact Technical Services on +44 (0) 330 123 4585))
<b>Maximum Pitch</b> (subject to fixing specification)	90°
<b>Minimum Headlap</b>	75mm
<b>Maximum Headlap</b>	125mm
<b>Minimum Gauge/Batten Spacing</b>	293mm
<b>Maximum Gauge/Batten Spacing</b>	below 27.5° 318mm / 27.5° and over 343mm
<b>Hanging Length</b> (approx.)	395mm
<b>Cover</b> (all figures are net and do not allow for wastage)	
Linear cover of 1 slate	300mm
Covering capacity	10.5 slates/m <sup>2</sup> at 318mm gauge / 9.7 slates/m <sup>2</sup> at 343mm gauge
<b>Weight</b>	51kg/m <sup>2</sup> at 318mm gauge / 47kg/m <sup>2</sup> at 343mm gauge
per pallet, including pallet (approx.)	1.07 tonnes
per 1000	4.81 tonnes
<b>Battens Required</b> (at max. gauge)	2.92m/m <sup>2</sup>
<b>Batten Size</b>	
Rafter centres up to 450mm	38 x 25mm
Rafter centres up to 600mm	50 x 25mm
<b>Fixing Clips</b>	Eaves, Verge & Slate Clips
<b>Nail Size for Slates**</b>	45 x 3mm (A/A) 45 x 3.35mm (S/S)
<b>Pallet Quantities</b>	Slates per pallet 210 / Slates per pack 35 / Packs per pallet 6

\*All weights nominal \*\* (A/A) Aluminium Alloy



## FITTINGS & ACCESSORIES

### VERGE PRODUCTS

Dry Verge

### HIP PRODUCTS

Universal Angle Hip  
Dry Hip  
Rapid Hip

### VALLEY PRODUCTS

GRP 125 Valley  
Dry Valley

### RIDGE PRODUCTS

Universal Angle Ridge  
Universal Angle Monoridge

### VENTILATION SYSTEMS

RedVent EavesVent  
RedVent 25 Over-Fascia Vent  
Rapid EavesVent  
Top Edge Abutment Ventilation  
DryVent Ridge  
Rapid Vented Ridge  
Uni-Vent Rapid Ridge/Hip  
DryVent Monoridge  
RedLine Ventilation Tile  
8.8k ThruVent Tile



# Mockbond Richmond Slate Product Codes

## TILES

Standard Slate	4881
Half Slate Pair	4872

## UNDERLAYS

Spiritech 400 2S underlay	9202
Divoroll Elite 2S	9157
Divoroll Universal 2S	9156

## EAVES PRODUCTS

RedVent EavesVent 350-450mm (6m)	9189
RedVent EavesVent 450-600mm (6m)	9190
Extension Trays 350-450mm (6m)	9498
Extension Trays 450-600mm (6m)	9499
Rapid EavesVent 2-in-1 Tray	9988
Rapid EavesVent Rafter Roll (6m)	9984
RedVent 25 Over-Fascia Vent (6m)	9593
Underlay Support Tray (1.5m)	9076

## VERGE PRODUCTS

DryVerge (Pack of 18 LH & 18 RH)	9392
DryVerge Gable End Pack	9882
Rapid DryVerge (Pack of 18 LH & 18 RH)	9393
Rapid DryVerge Gable End Pack	9883

## HIP PRODUCTS

Dry Hip (2.7m)	9047
Continuous Hip (5m)	9524
Uni-Vent Rapid Ridge/Hip (10m)	9313
Uni-Vent Rapid Hip Support Tray (1.2m)	9069
Universal Angle Hip/Ridge Junction	9520
Universal Angle Hip (without nail holes)	7777
Universal Angle Hip (with nail holes)	7778
Hip Iron	9258
Universal Angle Block-End Hip	7779
Mortar Bedded Fixing Kit	9314

## VALLEY PRODUCTS

125 GRP Valley (3m)	9595
Dry Valley (Low Profile) (3m)	9575
Universal Valley Trough Tile	7175

## ABUTMENT PRODUCTS

Wakaflex Rapid Flashing	
Top Edge Abutment Ventilation Pack(3m)	9548
Abutment GRP Secret Gutter (3m)	9596
Bonding Gutter (Low Profile) (3m)	9580
Bonding Gutter (High Profile) (3m)	9578

## RIDGE PRODUCTS

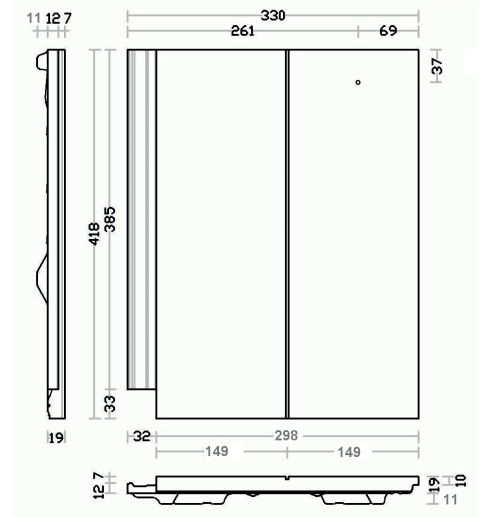
DryVent Ridge (2.7m)	9059
Uni-Vent Rapid Ridge/Hip (10m)	9313
Continuous Ridge (5m)	9308
Ridge Vent Terminal	7254
Terminal Adaptor	9175
Flexible Pipe (100 to 100mm)	9172
Gas Flue Ridge Terminal	7242
Gas Flue Extension Adaptor	9143
Gas Flue Blanking Plates	9099
Universal Angle Ridge	7146
Hi-Pitch Universal Angle Ridge	7151
Universal Angle Block-End Ridge	7518
DryVent Monoridge (2.7m)	9084
Universal Angle Monoridge	7148
Universal Angle Block-End Monoridge LH	7297
Universal Angle Block-End Monoridge RH	7298
Universal Angle Monoridge End Cap LH	9778
Universal Angle Monoridge End Cap RH	9779
Mortar Bedded Fixing Kit	9314
Universal Angle Ridge End Cap	9773

## VENTILATION TILES

RedLine Vent Tile	9141
8.8k ThruVent Tile	7943
Rapid Roof Vent Tile	9123
Rapid Roof Vent Adaptor	9791
Flexible Pipe (100 to 100mm)	9172

## FIXING

Tile Clip and nail (100)	9294
Verge Clip	9481
Eaves Clip	9293
Slate Nails (Alum.Alloy) (300)	9334
Slate Nails (Stainless Steel) (1060)	9350
Eaves Clip Nails (812)	9338
Kro-Clip (50)	9142
Innofix Clip (500)	9825



BMI UK & Ireland  
 BMI House,  
 2 Pitfield, Kiln Farm,  
 Milton Keynes, MK11 3LW  
 +44 (0) 3705 601000

[www.bmigroup.com/uk](http://www.bmigroup.com/uk)

We are committed to continuously enhancing and improving our product range. We reserve the right to change our product specifications. We reserve the right to correct any typographical or clerical error or omission. For the latest information contact customer service.