



Regupol®

TECHNICAL DATA SHEET

REGUPOL® 6010SH HIGH PERFORMANCE SCREED ISOLATION

PRODUCT DESCRIPTION

A recycled crumb product, Regupol® 6010SH has been specifically developed for heavy load bearing areas where acoustic performance is critical. A sustainable and high performing screed isolation solution, Regupol® 6010SH delivers the greatest load bearing capacity in the CMS Danskin Acoustics underscreed range.

APPLICATIONS

Designed for a wide range of high performance isolation applications, Regupol® 6010SH is particularly suited to heavily loaded areas in:

- Luxury apartments
- Penthouses
- Hotels
- Schools
- Hospitals
- Libraries
- Retail
- Music studios



BENEFITS

- Independent Laboratory and Field Test Data available upon request showing compliance with Approved Document E Building Regulations (England & Wales) and Section H of the Scottish Building Regulations
- Excellent impact and airborne performance
- Offers long term performance without collapse or “bottoming” out under high point loads
- Resistant to ageing and deformation
- Quick and easy to install
- High quality and exact material thickness guaranteed
- Mildew and moisture proof
- Zero global warming potential (GWP) and zero ozone depletion potential (ODP)
- Product manufactured using Recycled Materials and 100% recyclable

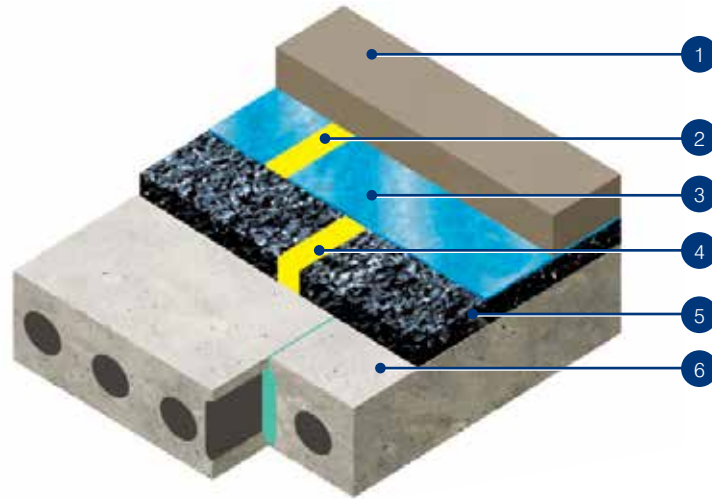
PHYSICAL INFORMATION

Sheet length	1.25m
Sheet width	10m
Material thickness	10mm & 15mm nominal

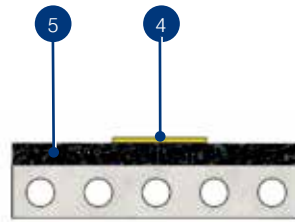
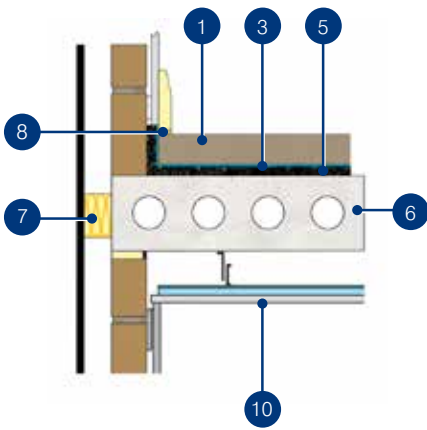
TECHNICAL INFORMATION

Mean value of dynamic stiffness	28.8MN/m ³ (DIN EN 29052-1)
Density	595kg/m ³
Tensile strength (DIN 53571)	approx 0.4N/mm ²
Thermal conductivity	approx 0.14W/mK
Elongation at break	approx 70%
Maximum load bearing capacity	10,000kg/m ² (100kN/m ²)
Temperature resistance	-40°C to +110°C
ΔL_w (impact improvement)	30dB

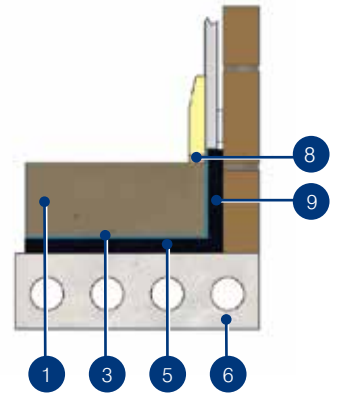
INSTALLATION



Joint Detail



Perimeter Detail



All illustrations for example purposes only

- | | |
|-------------------------------------------------------------------|-------------------------------------------|
| 1. 65mm sand cement screed | 8. Acoustic sealant |
| 2. Taped joint* | 9. Perimeter edge strip |
| 3. Min.500 gauge polythene | 10. Ceiling (construction type will vary) |
| 4. Hi-tack tape or similar approved | |
| 5. Regupol® 6010SH 10mm or 15mm layer | |
| 6. Pre-cast or beam and block floor, minimum 300kg/m ² | *DPM overlap to be minimum 100mm |
| 7. Acoustic cavity closer | |