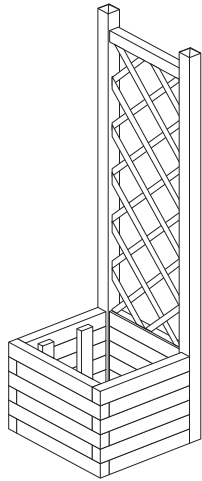


Square planter & Lattice

English SS066A

Help Line (Normal Office Hours) 01829 261 121

Assembly Instructions



Before assembly

- We recommend that time is taken to read the instructions before starting assembly, then follow the easy step by step guide. The instruction sheet is only a guide to the assembly. Certain items may not be shown to scale.
- Check all components prior to assembly
- Drill all components where indicated.
- This product should be assembled by 1 to 2 people
- Never attempt to erect the assembly in high winds.

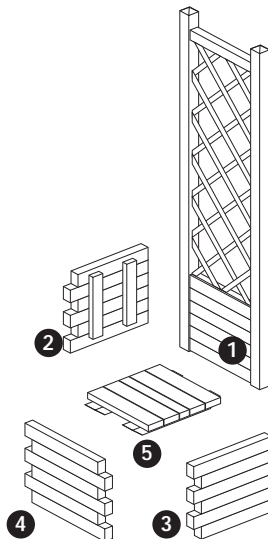


Recommended tools for assembly

- Cross head screw driver
- Drill with 4mm diameter drill bit

No.	Components	Qty.
1	Back Lattice panel	1
2	Left side panel	1
3	Right side panel	1
4	Front panel	1
5	Floor	1

No.	Fixing Kit	Qty.
6	60mm screws	12
7	80mm screws	4

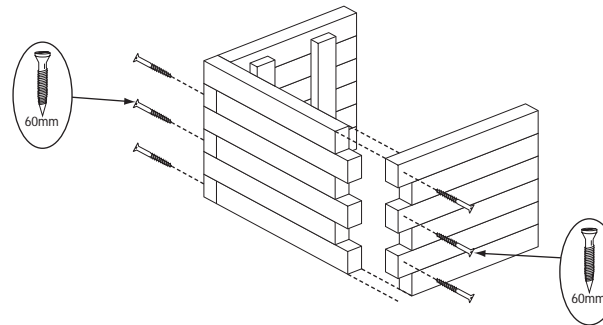


1. Sides to front panel

Interlock the front panels with the 2 side panels as shown. Secure together using 3 x 60mm screws per side panel.



Drill pilot holes in the side panels with a 4mm drill bit for each screw in this section.

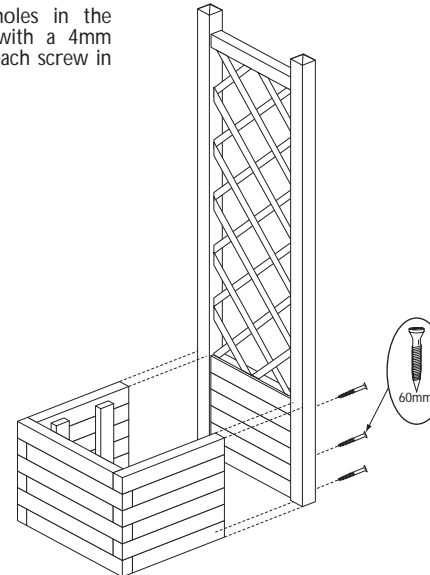


2. Back panel to sides

Position the back panel against the ends of the side panels and secure the back in place using 6 x 60mm screws. Screw through the back panel into the ends of the sides panels.



Drill pilot holes in the back panel with a 4mm drill bit for each screw in this section.

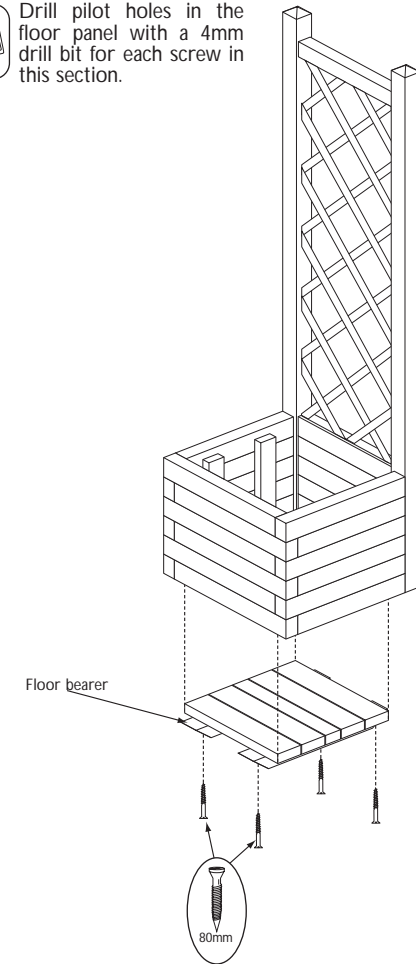


3. Floor panel

Lay the planter onto its back, secure the floor panel into place using 4 x 80mm screws. Screw through the floor bearers into the bottom of the front and back wall.



Drill pilot holes in the floor panel with a 4mm drill bit for each screw in this section.



We constantly improve the quality of our products, occasionally the components may differ from the components shown and are only correct at time of printing. We reserve the right to change the specification of our products without prior notice.

2006 © Rowlinson Garden Products Ltd