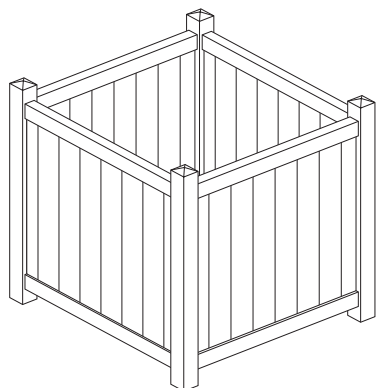


# Square Planter

# English SS030A

Help Line (Normal Office Hours) 01829 261 121

## Assembly Instructions



### Before assembly

- We recommend that time is taken to read the instructions before starting assembly, then follow the easy step by step guide. The instruction sheet is only a guide to the assembly. Certain items may not be shown to scale.
- Check all components prior to assembly

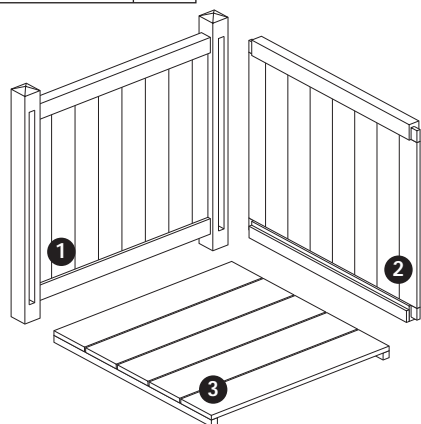


### Recommended tools for assembly

- Cross head screwdriver
- Mallet

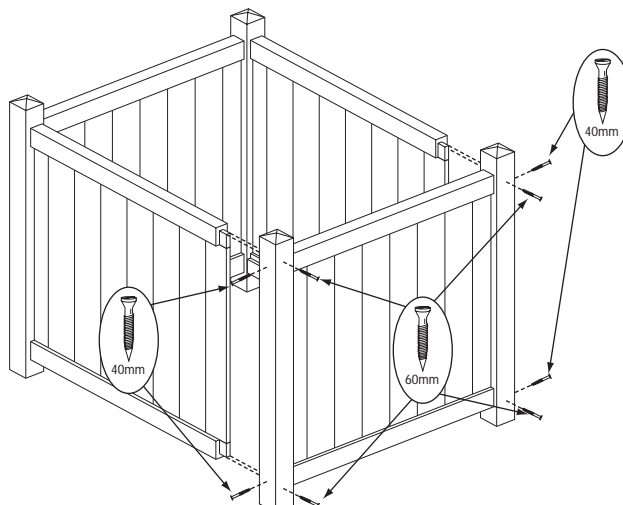
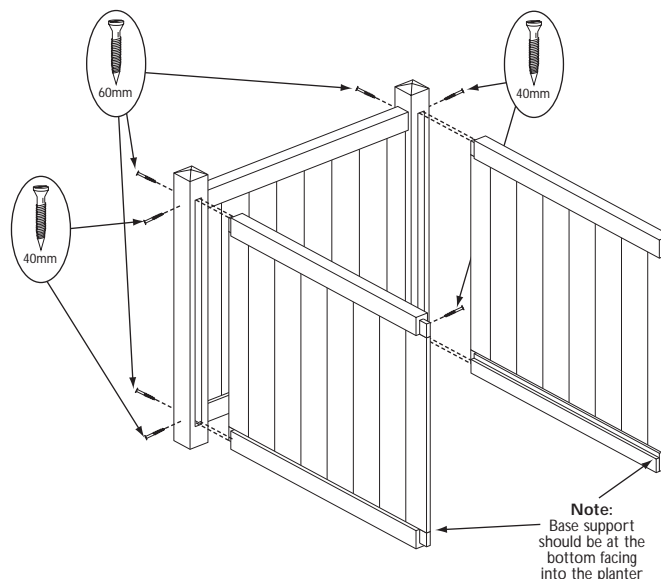
No.	Components	Qty.
1	Side panels	2
2	Front/rear panels	2
3	Base	1

No.	Fixing Kit	Qty.
4	70mm screws	8
5	40mm screws	12



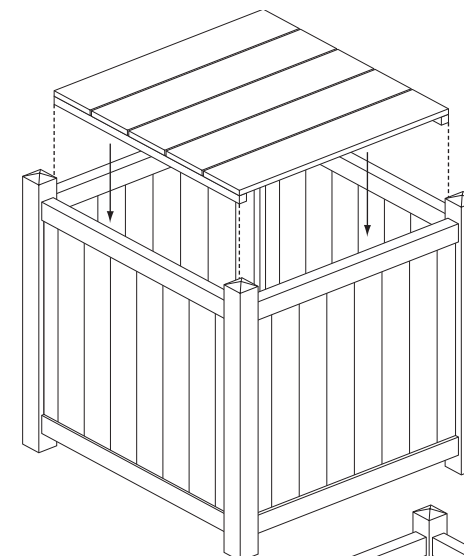
### 1. Panels

Slot into the rebates of a side panels the front and rear panel. Note on the front and rear panel the base support which is at the bottom and facing inward. Secure the panels together using 40 and 60mm screws through the pre-drilled holes as shown below. Fit the other side panel to the front and rear panels in the same way.

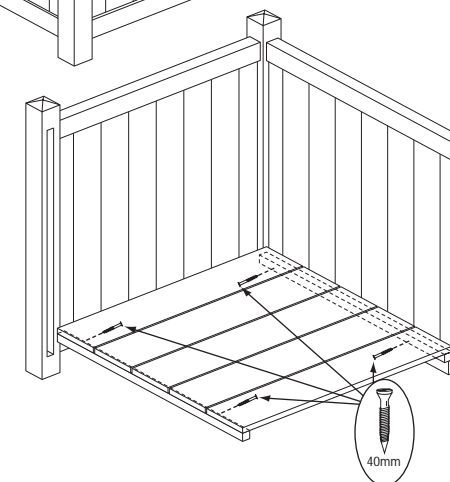


### 2. Base

Place the base into the the planter, ensure the framing of the base panel is sat onto the 2 base supports on the front and rear panels. Secure base into place using 4 x 40mm screws, on the underside of the planter screw through the pre-drilled holes in the framing of the base into the front and rear panels, 2 screws per panel.



**Note:**  
To secure the base, tip planter onto side to allow access to the underneath.



We constantly improve the quality of our products, occasionally the components may differ from the components shown and are only correct at time of printing. We reserve the right to change the specification of our products without prior notice.