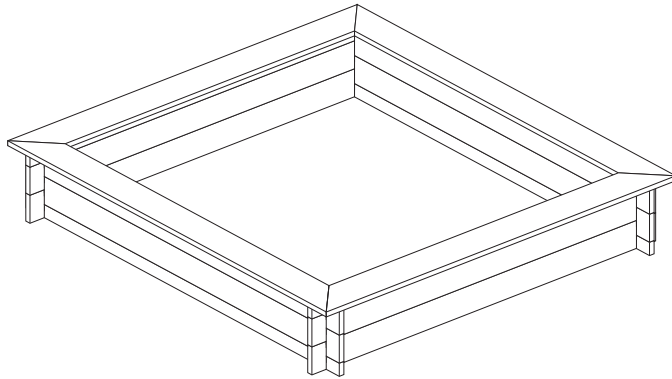


Sandpit planter

English SS233

Help Line (Normal Office Hours) 01829 261 121

Assembly Instructions



Before assembly

- We recommend that time is taken to read the instructions before starting assembly, then follow the easy step by step guide. The instruction sheet is only a guide to the assembly. Certain items may not be shown to scale.
- Check all components prior to assembly
- Drill all components where indicated.
- Never attempt to erect the assembly in high winds.



Drill

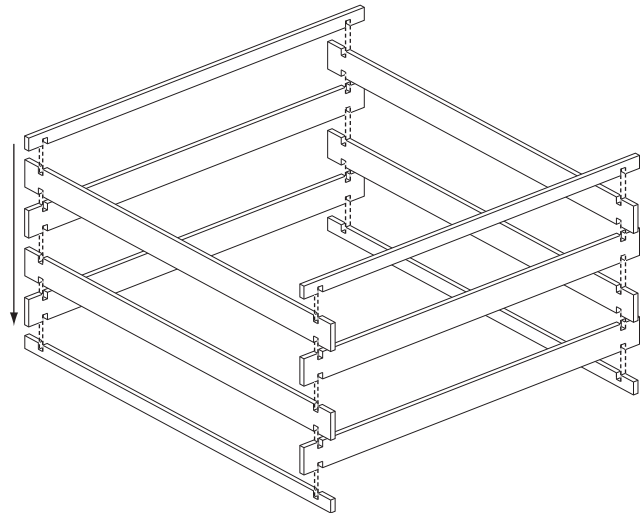
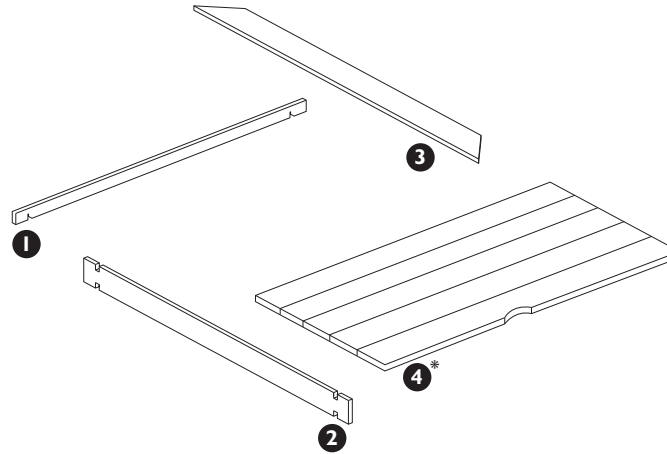
Recommended tools for assembly

- Cross head screw driver
- Drill with 3mm diameter drill bit

No.	Components	Qty.
1	Half logs	4
2	Full logs	8
3	Top boards	4
4	Lid half *	2

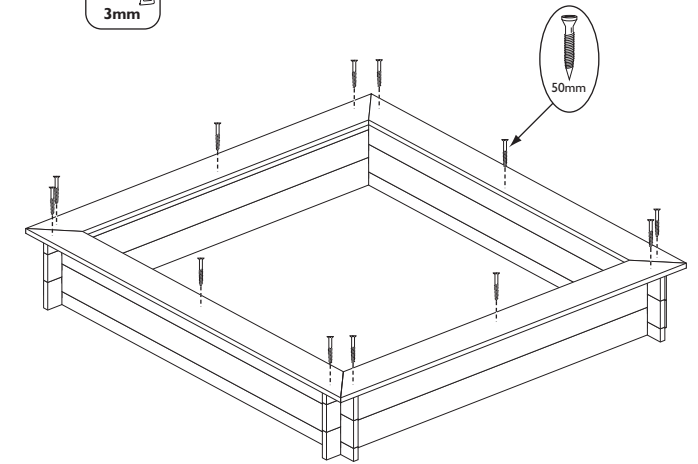
*Lid halves are only included when purchased as sandpit with the lid option.

No.	Fixing Kit	Qty.
5	50mm screws	12

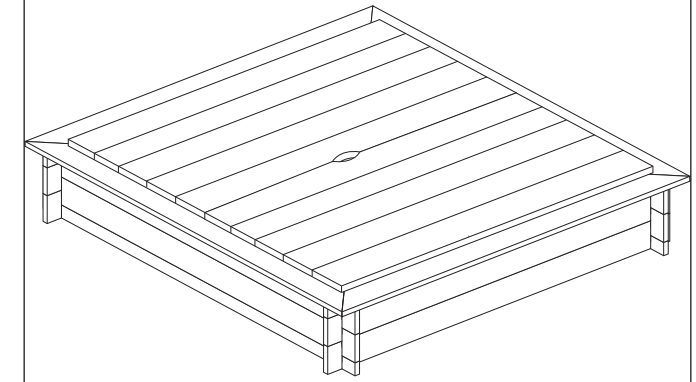


3mm

It is recommended to drill pilot holes for each screw.



For sandpit with lid only: place lid halves on top.



We constantly improve the quality of our products, occasionally the components may differ from the components shown and are only correct at time of printing. We reserve the right to change the specification of our products without prior notice.

2009 © Rowlinson Garden Products Ltd