

Beehive Composter

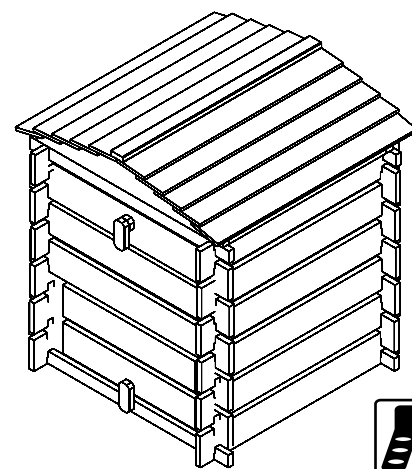
IMPORTANT, RETAIN FOR FUTURE REFERENCE: READ CAREFULLY.

Check all parts are present prior to assembly.

- Always pre-drill timber to avoid splitting.
- The timber in this product is pressure treated to ensure longevity and protection against rot. This may leave a colour variations, but these will even out as the moisture content stabilises.
- Timber is a natural material and will shrink and swell as a result of varying moisture content.
- Keep all plastic bags and parts away from children.

Technical Help line: 0333 7777 089 8:30am - 5.00pm Monday to Friday

In line with your statutory rights, please check all parts prior to assembly, as assembly of damaged parts may be deemed to be acceptance and this may affect the remedies you are entitled to. If the product is not constructed in accordance with the instructions, or is altered in anyway (e.g. painted), the manufacturer cannot be held liable for any resulting damage.



REQUIRED TOOLS:
(NOT SUPPLIED)



POZI DRIVE SCREWDRIVER



SPIRIT LEVEL



TAPE MEASURE

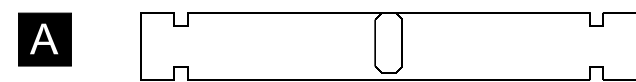


HAMMER



DRILL

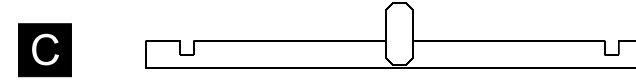
PARTS:



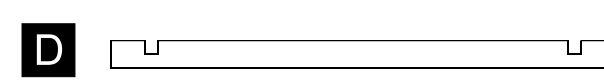
TLB (TOP LATCH BOARD) QTY 1



LNB (LARGE NOTCHED BOARD) QTY 19



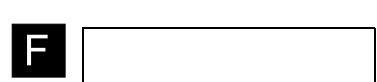
BLB (BOTTOM LATCH BOARD) QTY 1



NB (NOTCHED BOARD) QTY 3



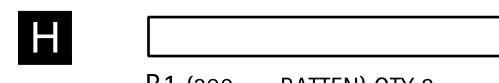
SNB (SMALL NOTCHED BOARD) QTY 4



BHDR (BEEHIVE DOOR) QTY 1

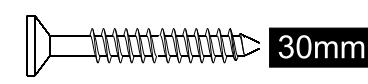


SBHCRF (BEEHIVE ROOF) QTY 1

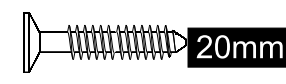


B1 (390mm BATTEN) QTY 2

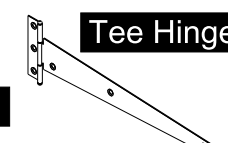
(FIXING PACK) SBHFP



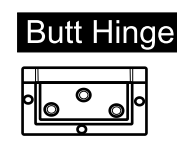
Qty 14



Qty 18



Qty 2



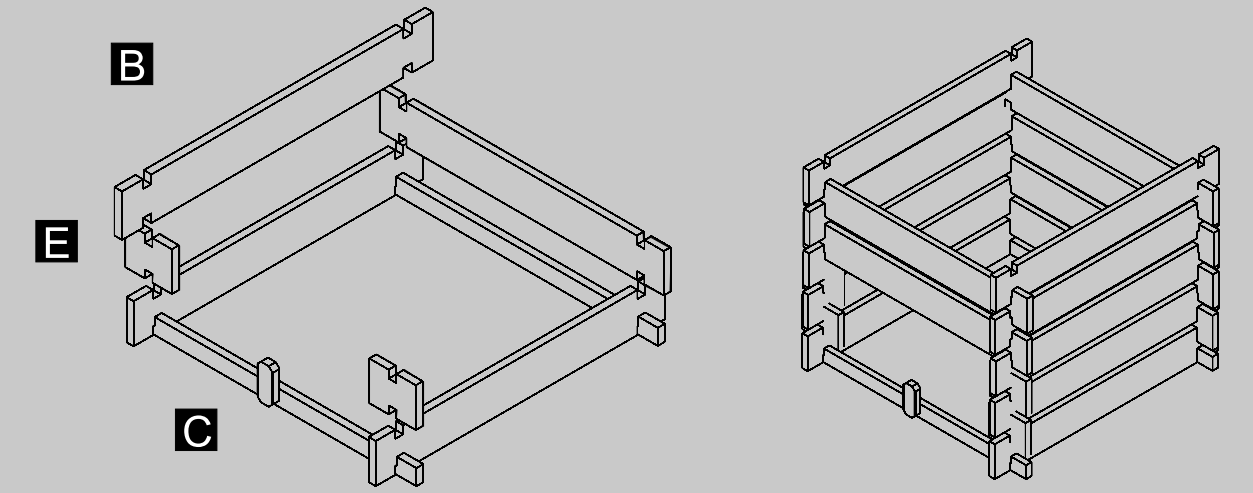
Qty 2

For further information



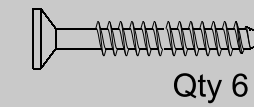
www.forestgarden.co.uk

- Starting with the a LB and an NB board position the all the boards so that they slot into each other. Continue the process until all boards are positioned as illustrated.

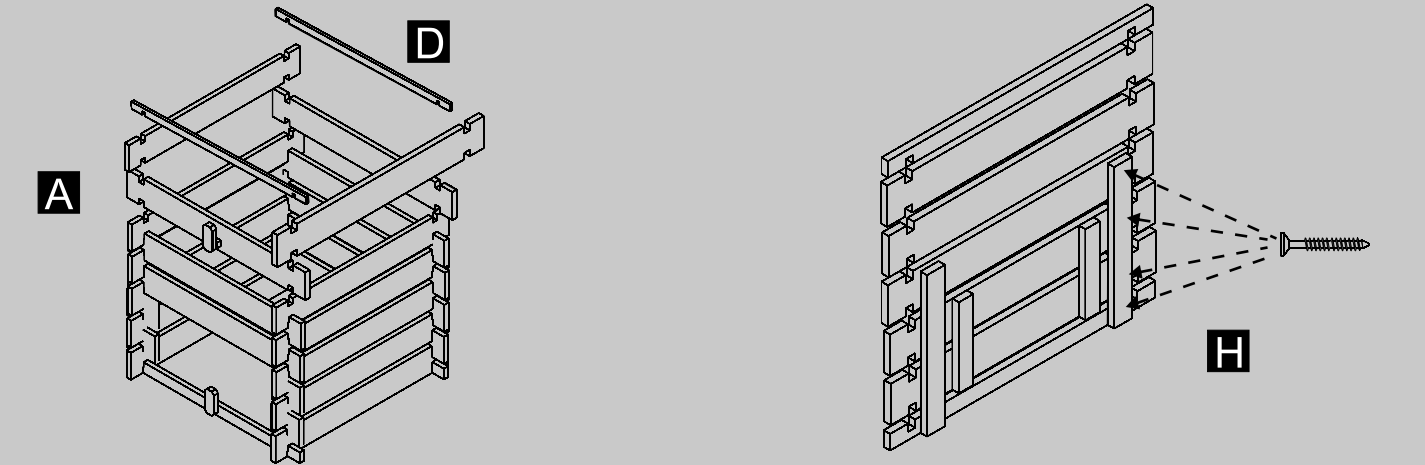


- Continue to slot the boards into one another as shown.

Fix the B1 boards on the inside of the front section usingg 3x30mm screws for each board.

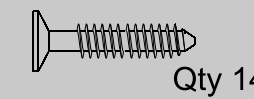


Qty 6

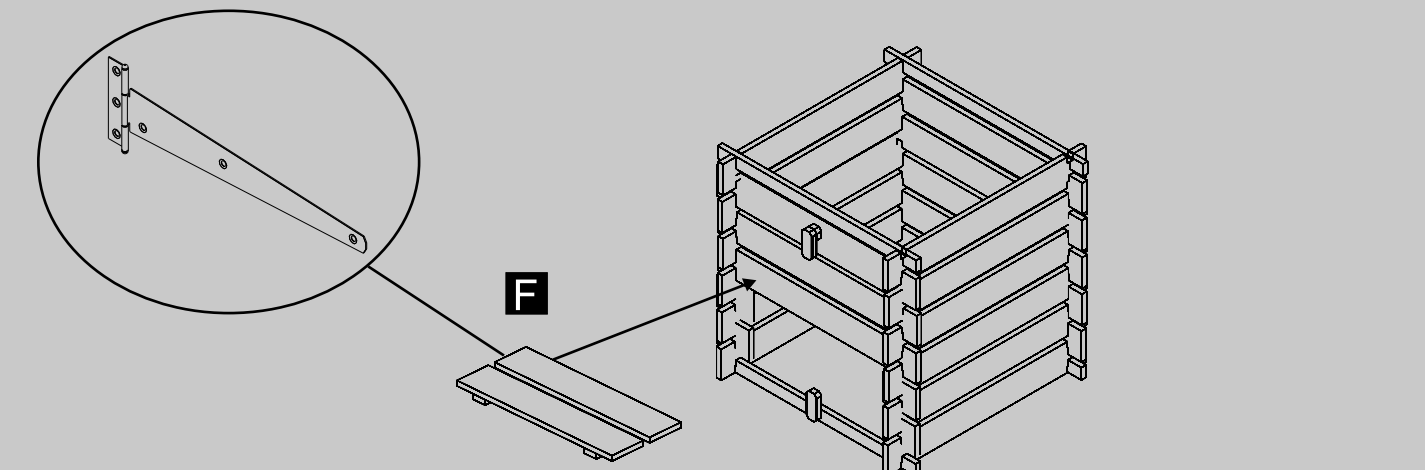


- Fix the two tee hinges to the beehive door 3 x 30mm screws per hinge, making sure that they locate into the battens.

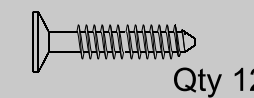
Position the door and fix two the large notched board (LNB) using 3 x 20mm screws per hinge.



Qty 14



- Fix the two hinges to the roof using 3 x 20mm screws. Make sure that the hinges are spaced evenly. Place the roof on to the composter and secure the other half of the hinges to the notched board using another 3 x 20mm screws for each.



Qty 12

