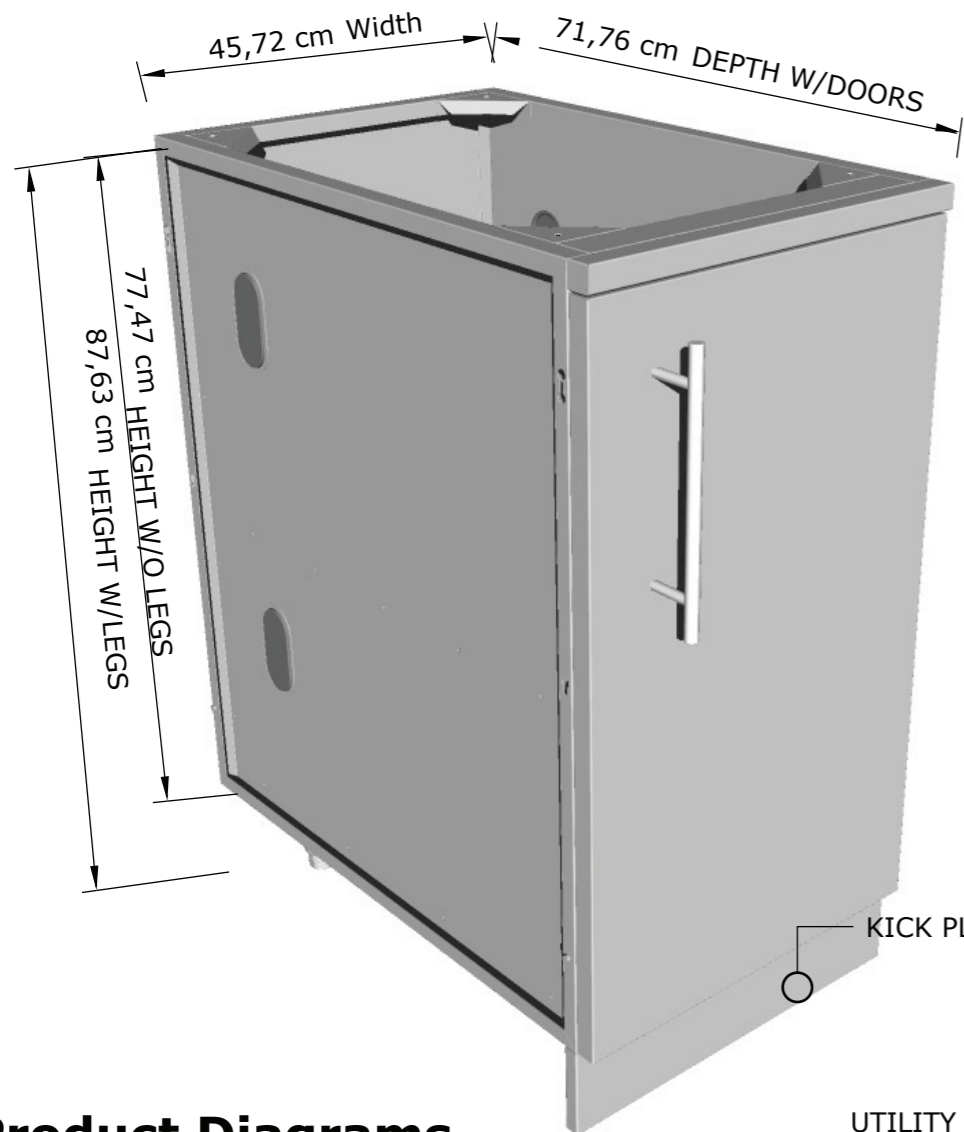
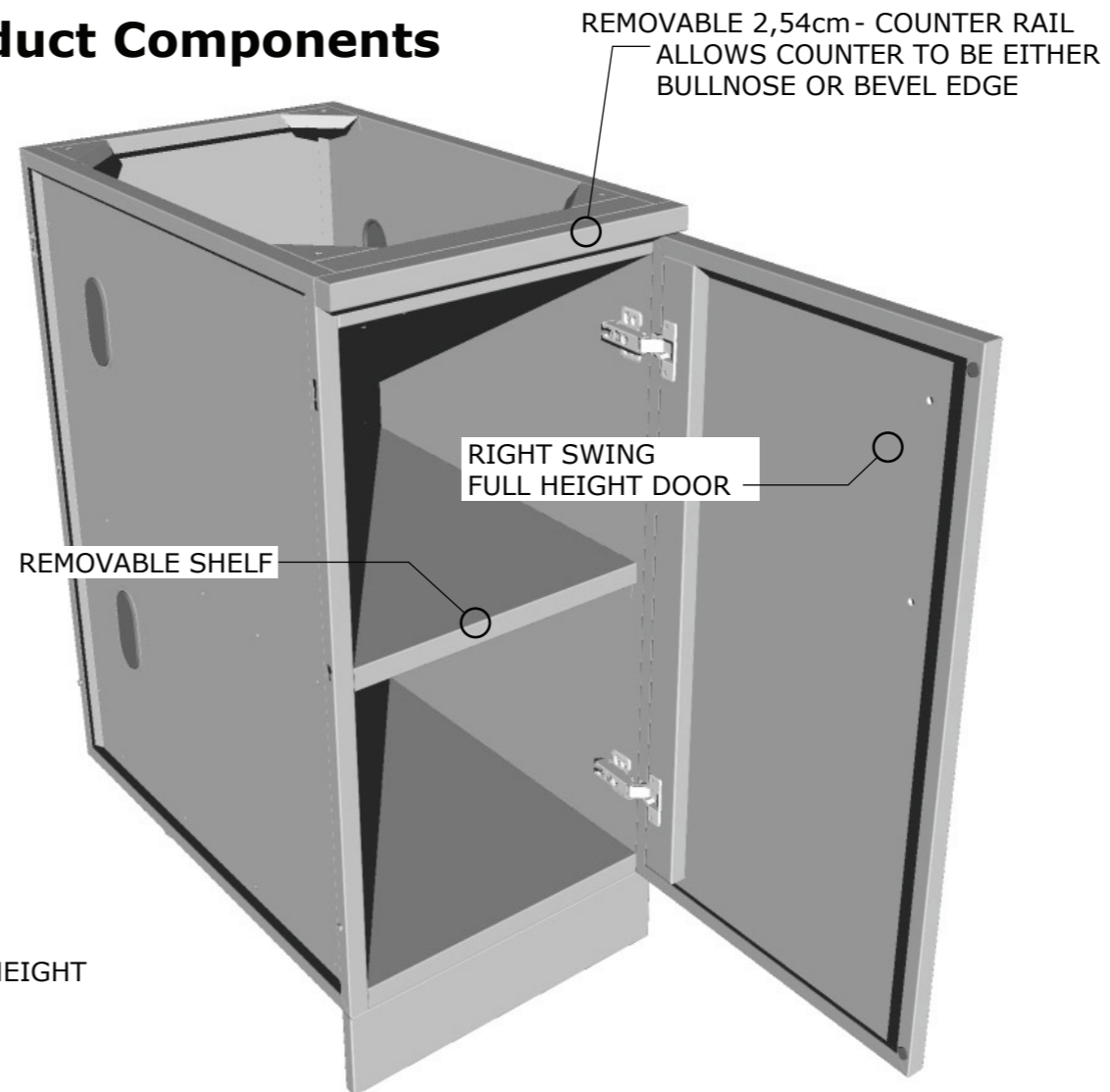


## Product Dimensions



## Product Components



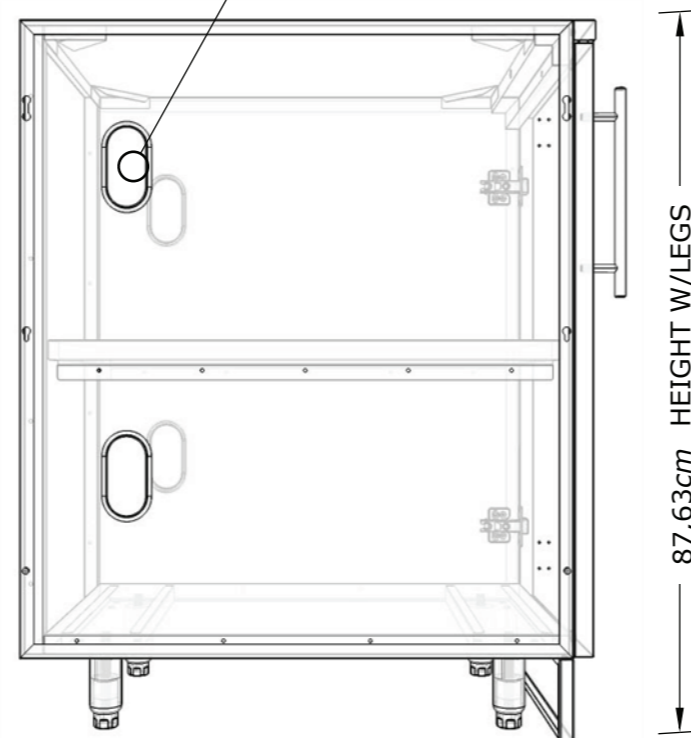
## Product Diagrams

ISO VIEW

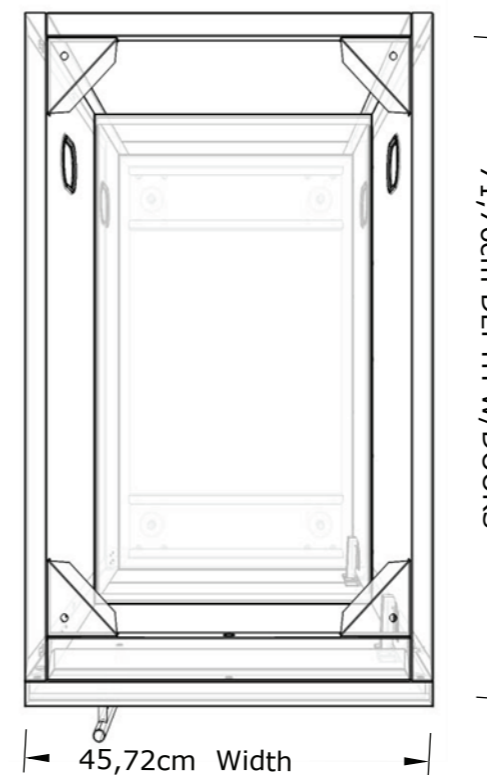


UTILITY ACCESS  
PORTS W/COVER

SIDE VIEW



TOP VIEW



Av. Combatentes do Ultramar, 184  
2715-776 Lameiras, Sintra, Portugal  
Tel: (+351) 219 670 073  
Email: info@sunstoneoutdoorkitchens.com

### PRODUCT

Full Height Right  
Swing Door Cabinet

**Item No.** SBC18FSDR

### DESCRIPTION

Full Height Right Swing Door  
Cabinet with Center Shelf  
Included.

- Lifetime Structure Warranty
- 304 Stainless Steel Structure
- 304 SS Rod Handles
- Front & Back Kick-Plates
- Easy Pin-Lock Installation
- Soft-Close Drawer Tracks
- Covered Access Ports
- Adjustable Peg-Legs
- Optional Wheel Casters

### INCLUDED COMPONENTS

- Front Kick Plate
- Back Kick Plate
- (4) Adjustable Peg Legs
- (1) Shelf

### PRODUCT DIMENSIONS

45,72 W x 71,75 D (w/Drawers) x 87,63H (w/Legs)  
45,72 W x 71,75 D (w/Drawers) x 77,47 H (no Legs)  
or Upto 91,44 cm Max Adjustable Height

### INSERT DIMENSIONS

40,64cm Width x 45,72cm Depth

### INSERTABLE PRODUCTS

Single Side Burner - 1SSB

### MATERIAL SPECS

304 Stainless Steel entire  
structure, 18 Gauge for Door  
Panel, 18 Gauge for Cabinet  
Box, 18 Gauge for Shelf,  
Handles are made of Solid 304  
Stainless Steel Bar.