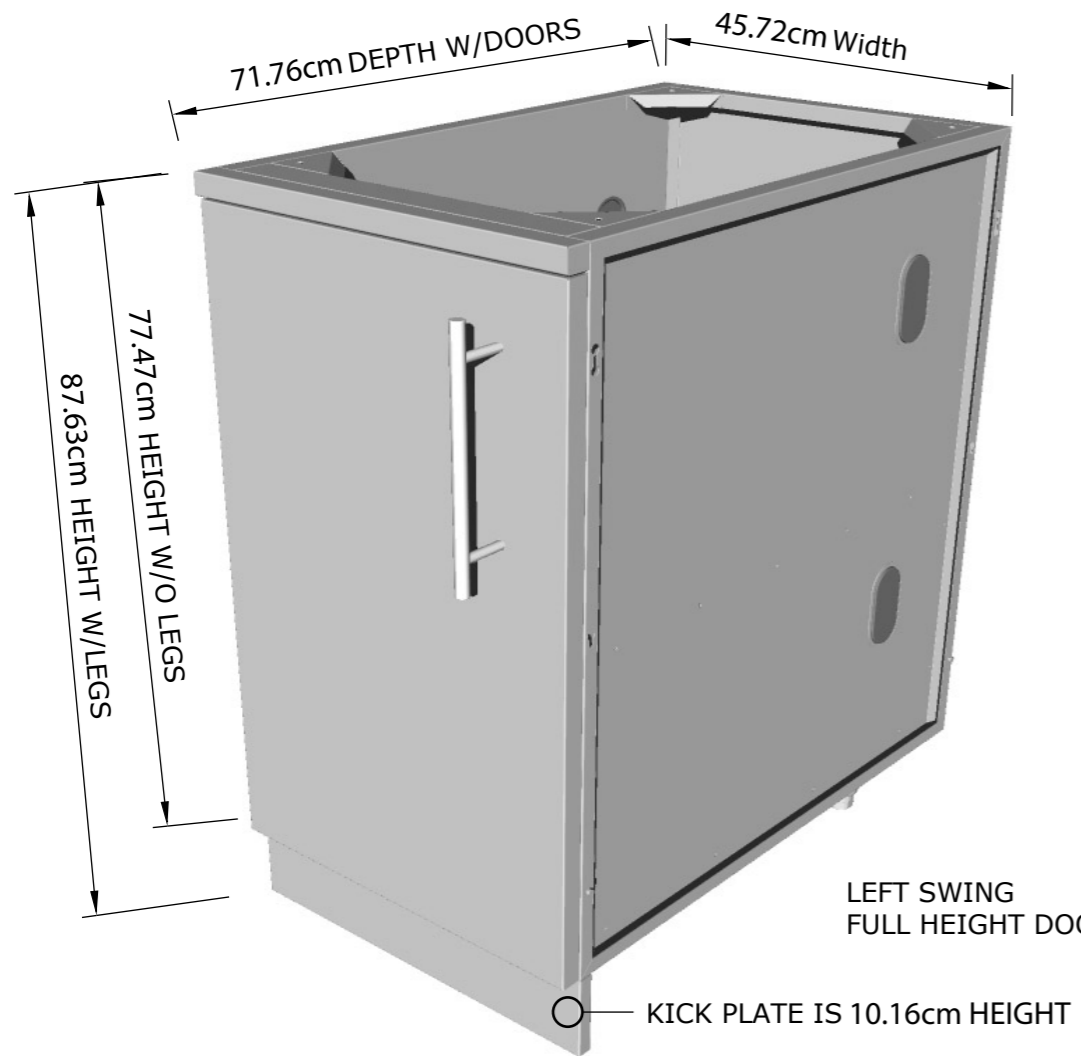
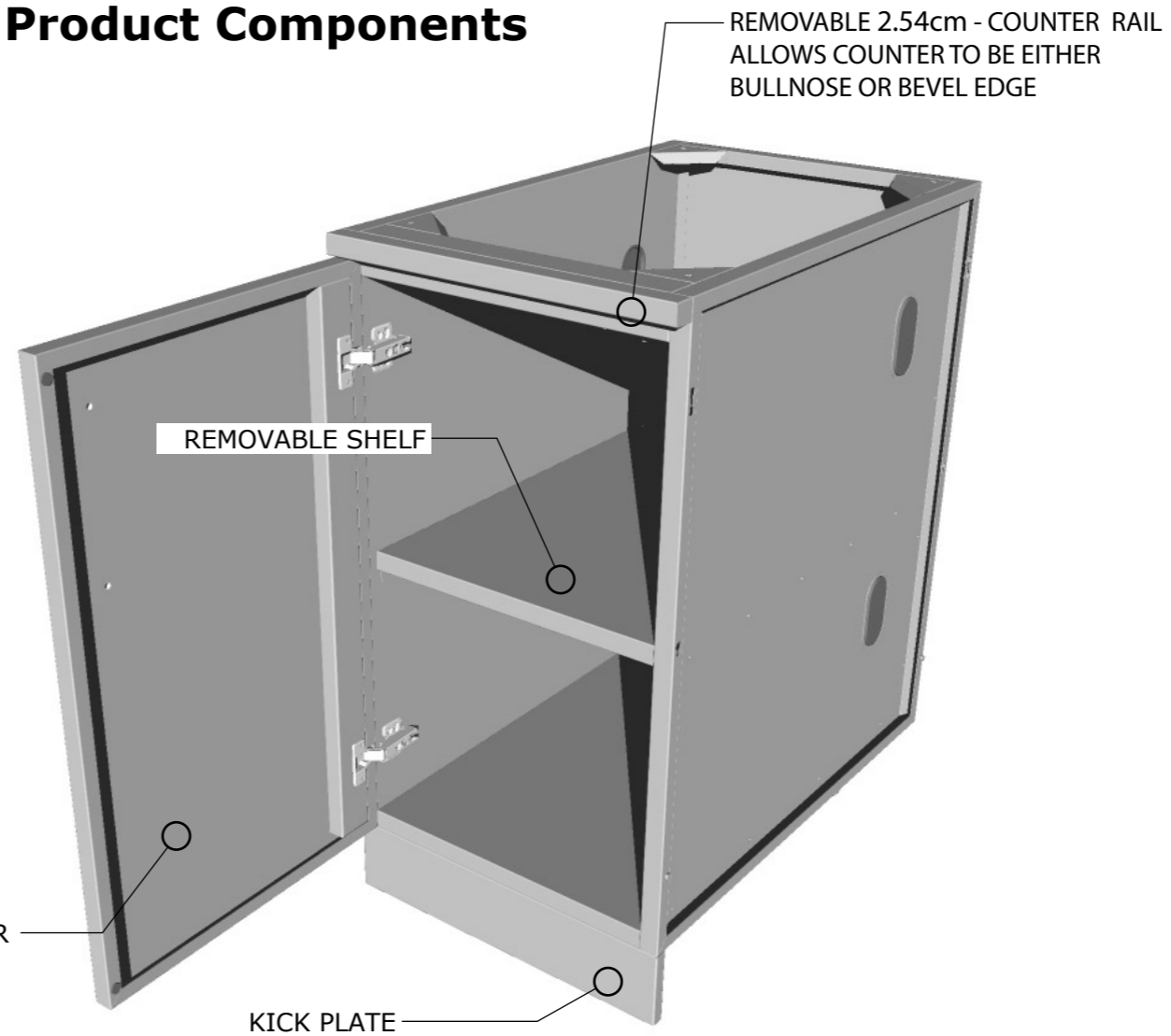


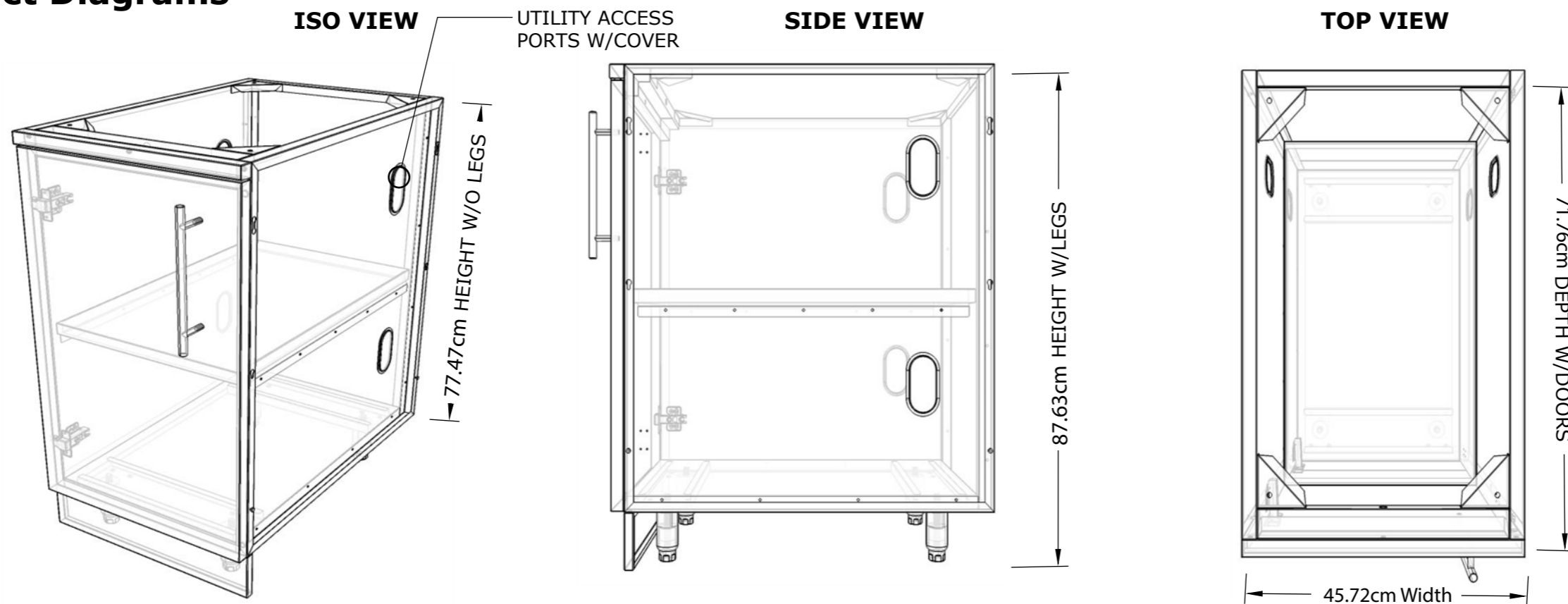
## Product Dimensions



## Product Components



## Product Diagrams



Av. Combatentes do Ultramar, 184  
2715-776 Lameiras, Sintra, Portugal  
Tel: (+351) 219 670 073  
Email: info@sunstoneoutdoorkitchens.com

### PRODUCT

Full Height Left  
Swing Door Cabinet

**Item No.** SBC18FSDL

### DESCRIPTION

45.72cm Full Height Left  
Swing Door Cabinet with  
Center Shelf Included

- Lifetime Structure Warranty
- 304 Stainless Steel Structure
- 304 SS Rod Handles
- Front & Back Kick-Plates
- Easy Pin-Lock Installation
- Soft-Close Drawer Tracks
- Covered Access Ports
- Adjustable Peg-Legs
- Optional Wheel Casters

### INCLUDED COMPONENTS

- Front Kick Plate
- Back Kick Plate
- (4) Adjustable Peg Legs
- (1) Shelf

### PRODUCT DIMENSIONS

45.72W x 71.76D (w/Door) x  
87.63H (w/Legs) or  
77.47H (no Legs) or Upto  
91.44cm Max Adjustable

### INSERT DIMENSIONS

40.64cm Width x 45.72cm Depth

### INSERTABLE PRODUCTS

Single Side Burner - 1SSB

### MATERIAL SPECS

304 Stainless Steel entire  
structure, 18 Gauge for Door  
Panel, 18 Gauge for Cabinet  
Box, 18 Gauge for Shelf,  
Handles are made of Solid 304  
Stainless Steel Bar.