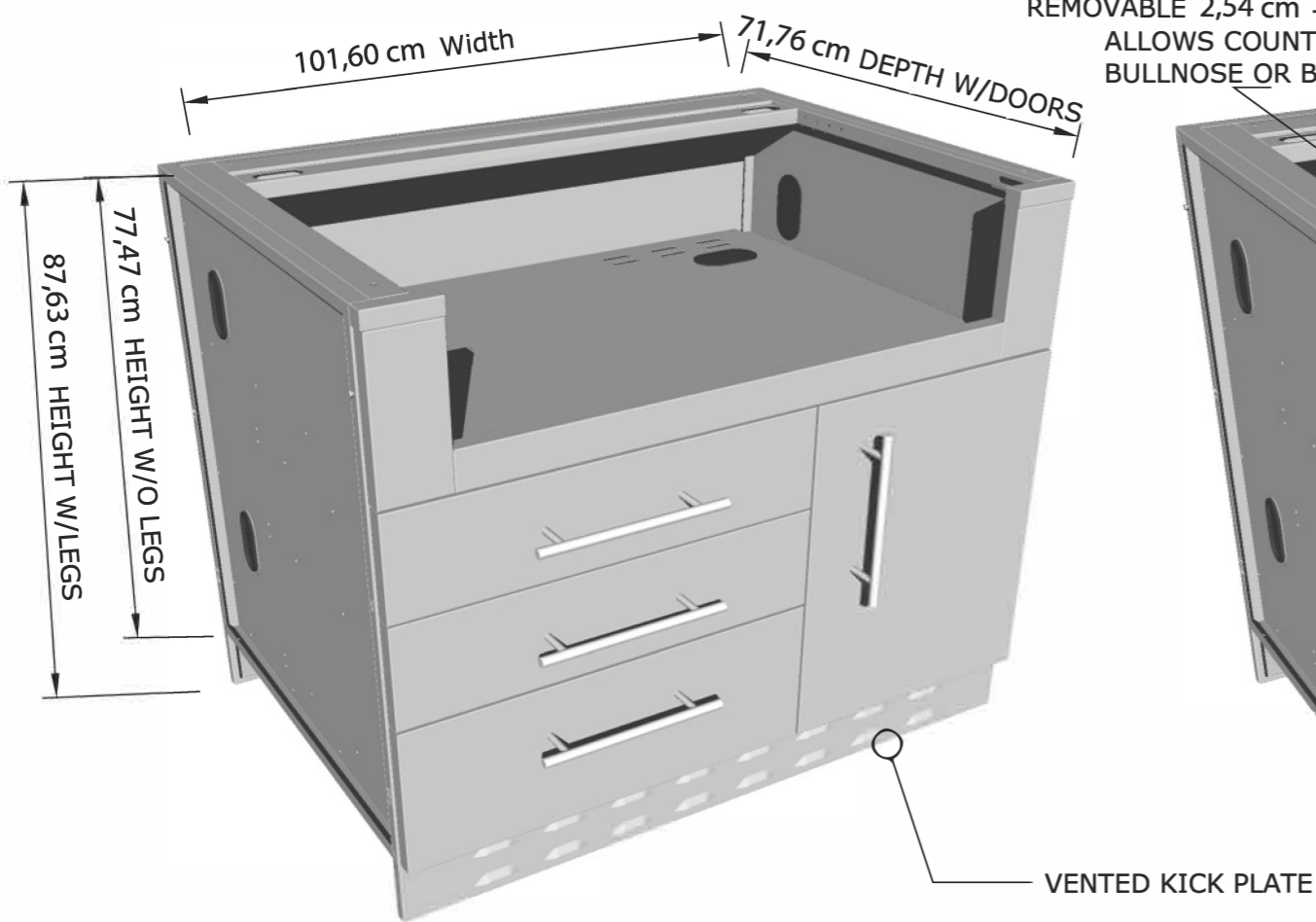
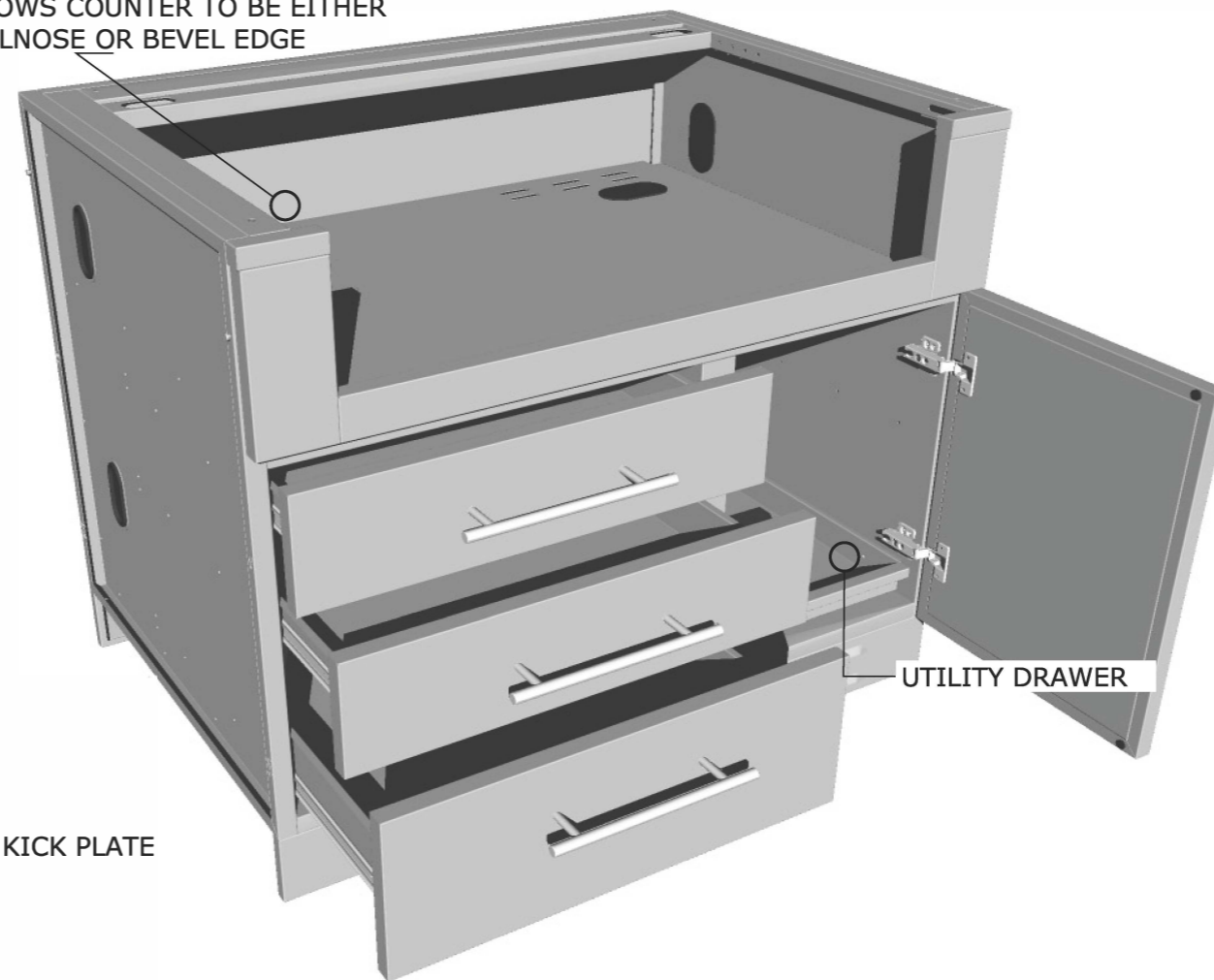


## Product Dimensions

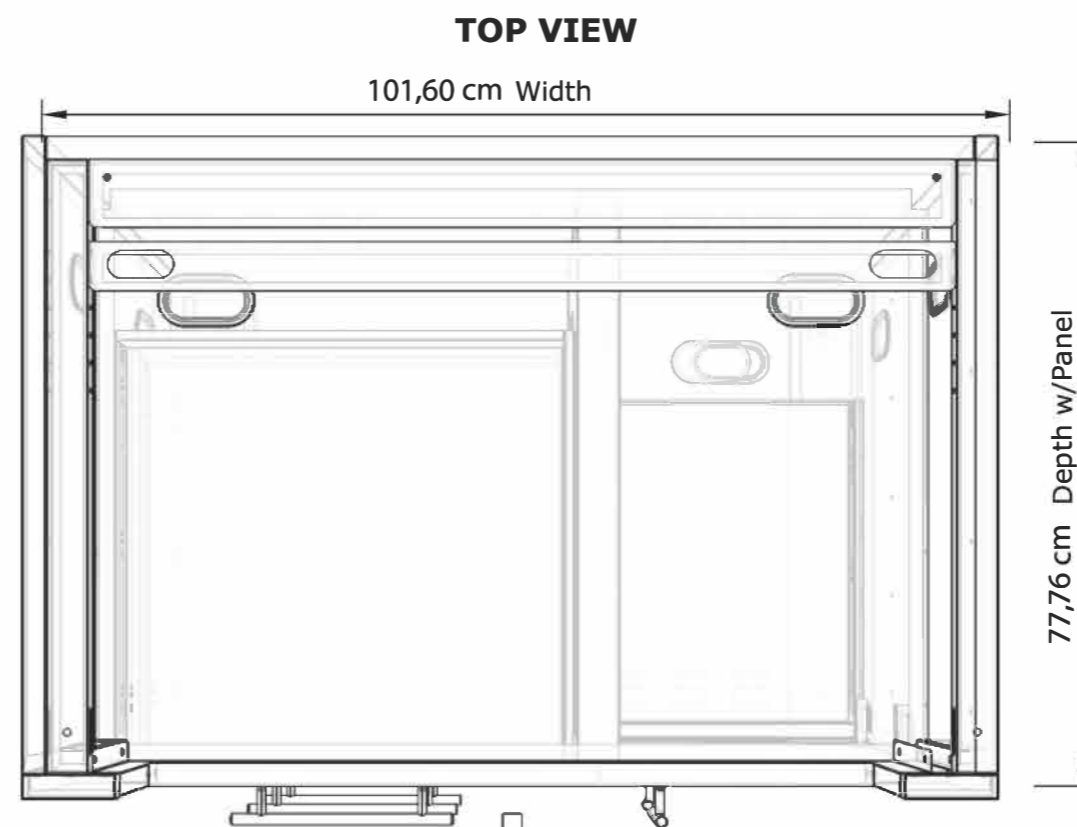
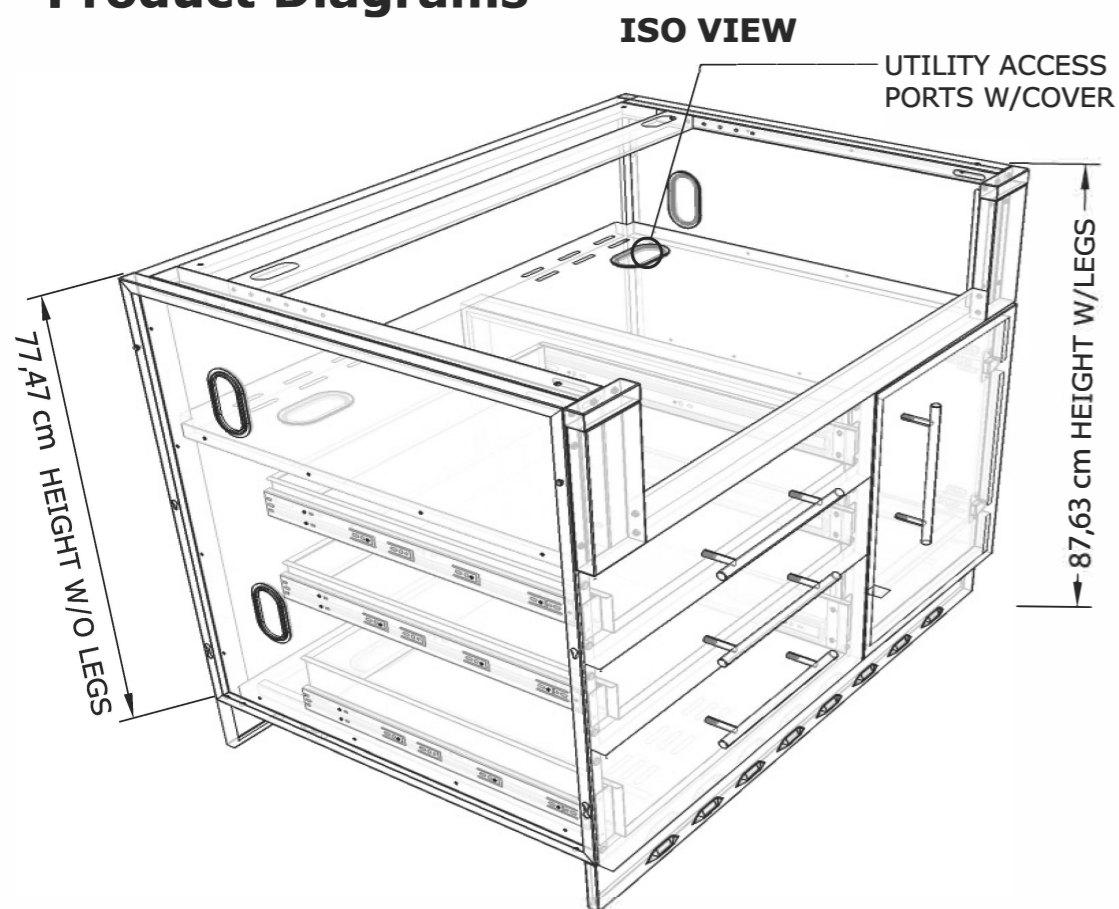


## Product Components

REMOVABLE 2,54 cm - COUNTER RAIL  
ALLOWS COUNTER TO BE EITHER  
BULLNOSE OR BEVEL EDGE



## Product Diagrams



**SUNSTONE**  
OUTDOOR KITCHENS

Av. Combatentes do Ultramar, 184  
2715-906 Lameiras, Sintra, Portugal  
Tel. (+351) 219670 073  
Email: info@sunstoneoutdoorkitchens.com

### PRODUCT

Appliance Cabinet for  
Item No. SUN4B/SUN4BIR

Item No. SAC40GLPCD

### DESCRIPTION

Appliance Cabinet for Item No.  
SUN4B/SUN4BIR LP/NG & RUBY4B

- Lifetime Structure Warranty
- 304 Stainless Steel Structure
- 304 SS Rod Handles
- Front & Back Kick-Plates
- Easy Pin-Lock Installation
- Soft-Close Drawer Tracks
- Covered Access Ports
- Adjustable Peg-Legs
- Optional Wheel Casters

### INCLUDED COMPONENTS

- Front Vented Kick Plate
- Back Solid Kick Plate
- (4) Adjustable Peg Legs
- Trim-Kit - SCC40GTK4.5

### PRODUCT DIMENSIONS

101,6cm W x 71,75cm D x 87,63cm H (w/  
Legs) 101,6cm W x 71,75cm D x 77,47cm H  
(without Legs)  
or Upto 91,44 cm Max Adjustable Height

### INSERTABLE PRODUCTS

4 BURNER W/IR - SUN4BIR  
4 BURNER - SUN4B  
RUBY GRILL - RUBY4B

(See next page Trim Kit Guide for  
other insertable product Brands)

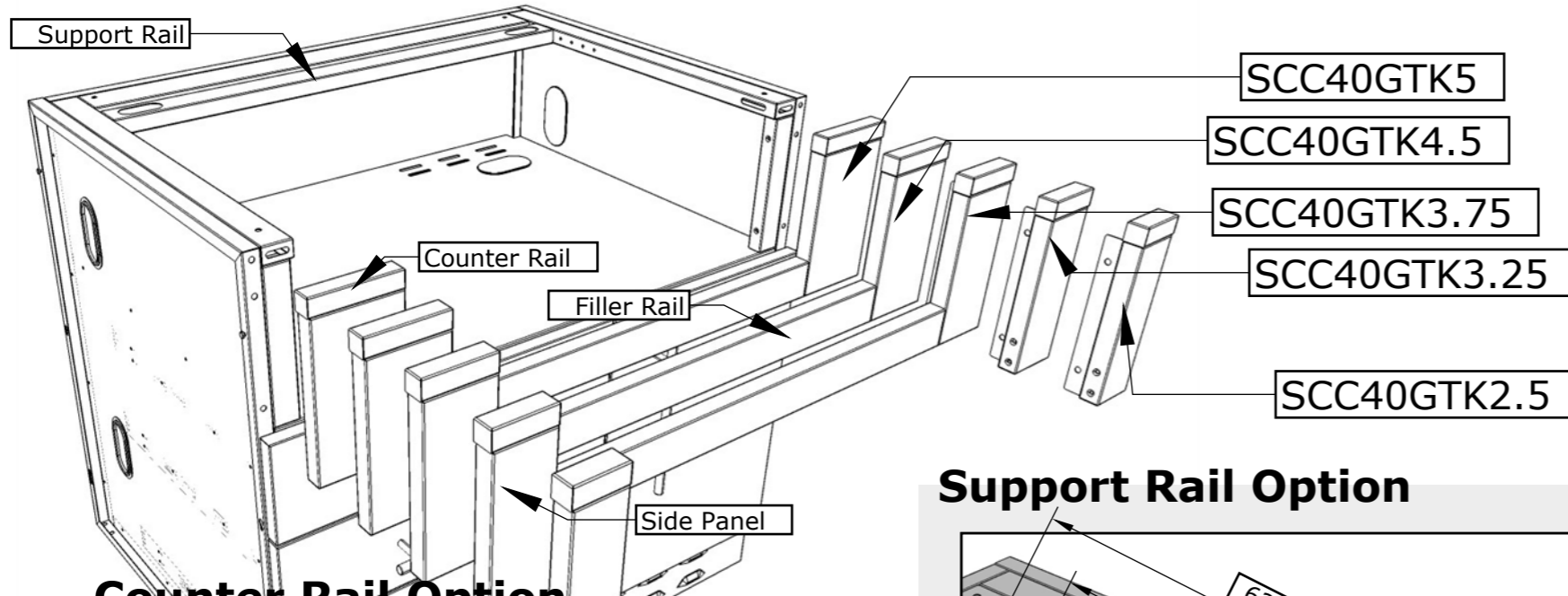
### MATERIAL SPECS

304 Stainless Steel entire  
structure, 18 Gauge for Door  
Panel, 18 Gauge for Cabinet  
Box, 18 Gauge for Shelf,  
Handles are made of Solid 304  
Stainless Steel Bar.

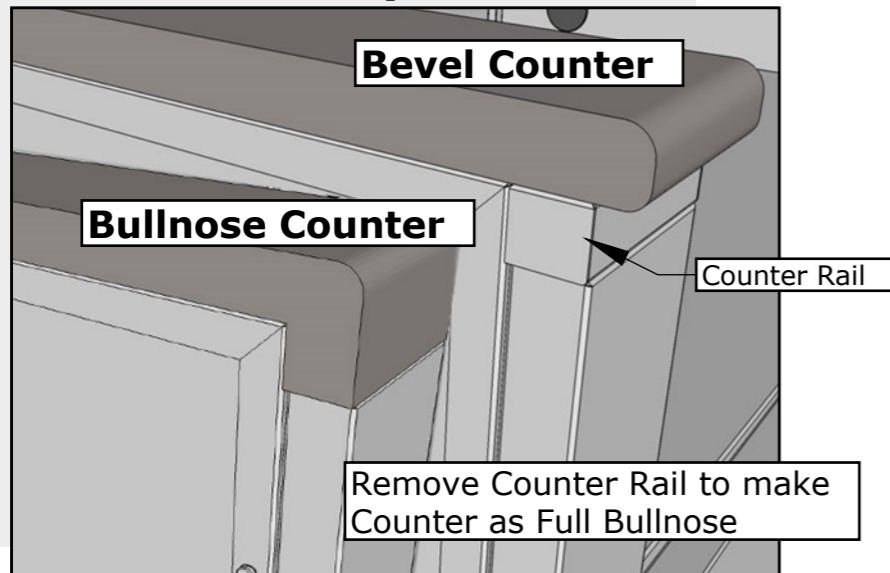
# SAC40GLPCD TRIM-KIT

Disclaimer: The trademarks used in the "Product Option" column below belong to their respective owners who do not sponsor nor are they affiliated with Sunstone Outdoor Kitchens. The specific product Cut-Out Dimensions have not been directly confirmed by any Sunstone Outdoor Kitchens, representative or employee. Use own discretion to confirm exact product fit.

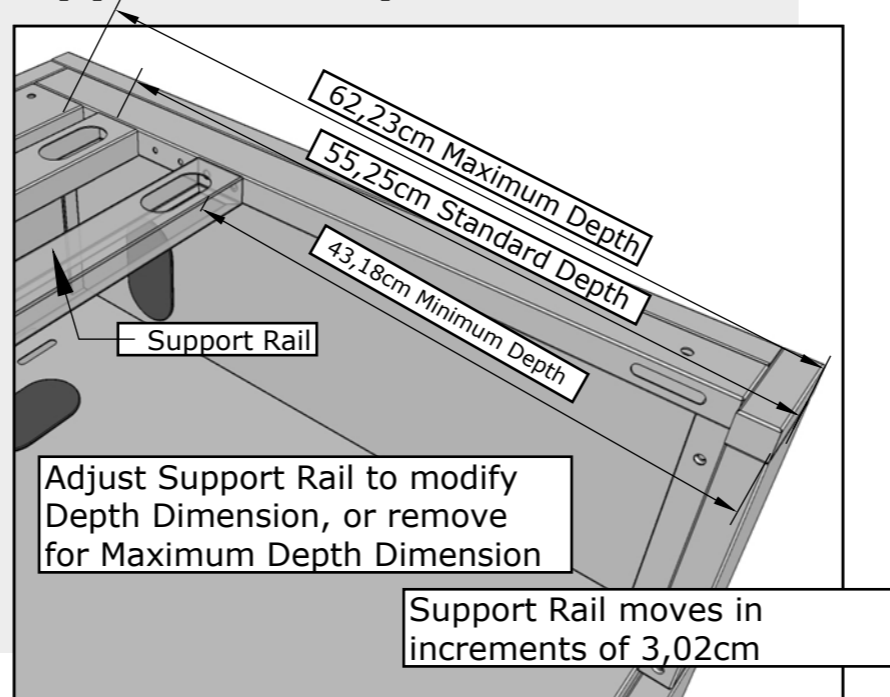
Model Number	Sleeve Cut-Out	Product Option
<b>SCC40GTK2.5</b>	87,63cm Width x 26,04cm Height x 62,23cm Maximum Depth	DCS® 36" Grill, Alfresco® 36" Grill
<b>SCC40GTK3.25</b>	85,09cm Width x 26,04cm Height x 62,23cm Maximum Depth	
<b>SCC40GTK3.75</b>	81,92cm Width x 20,32cm Height w/Rail or 26,04cm Height wo/Rail x 62,23cm Maximum Depth	Sunstone® 4B 36" Ruby® Grill, Blaze® Pro 34" Grill
<b>SCC40GTK4.5</b>	78,42cm Width x 20,32cm Height w/Rail or 26,04cm Height wo/Rail x 62,23cm Maximum Depth	Sunstone® 4B 34" Grill, Steele® 32", AOG® 30", Bull® 30", Lion® 32", Blaze® 32", Coyote® 34"
<b>SCC40GTK5</b>	75,57cm Width x 20,32cm Height w/Rail or 26,04cm Height wo/Rail x 62,23cm Maximum Depth	



## Counter Rail Option



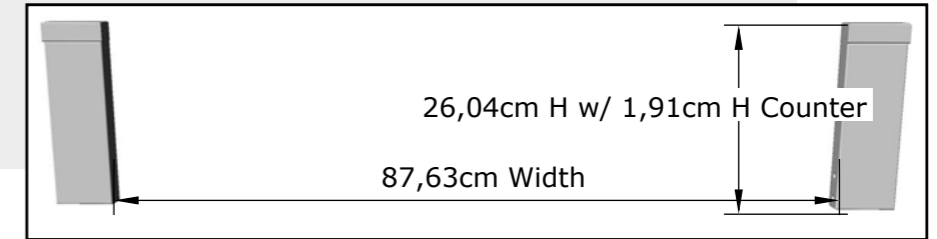
## Support Rail Option



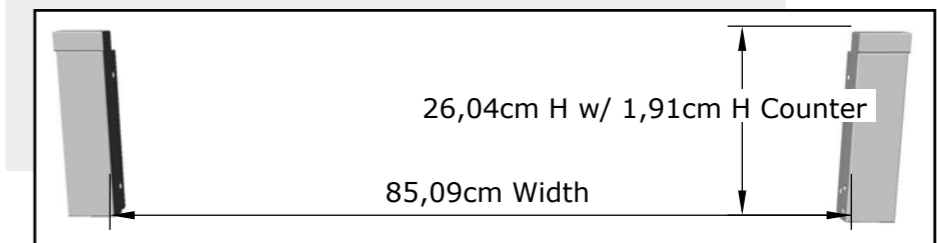
# Trim-Kit Sleeve Dimensions

Compatible between 75,57cm to 87,63cm, 20,32cm to 26,04cm Max Height with counter at 1,91cm Height with Filler Rail installed or removed. (Additional Height can be adjusted by Removing Bottom Filler Rail or by adding a Thicker Counter or Backer Board)

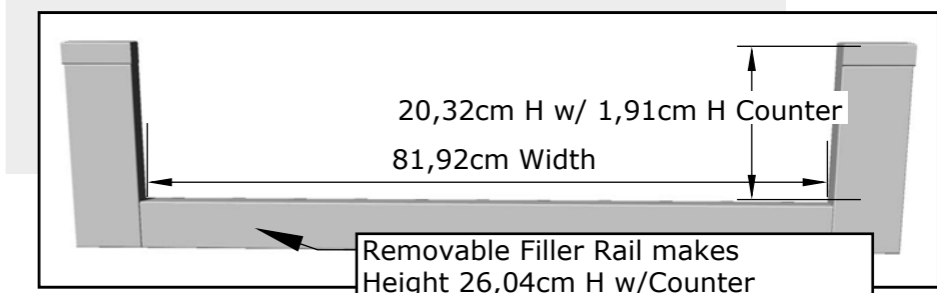
Item No. SCC40GTK2.5



Item No. SCC40GTK3.25

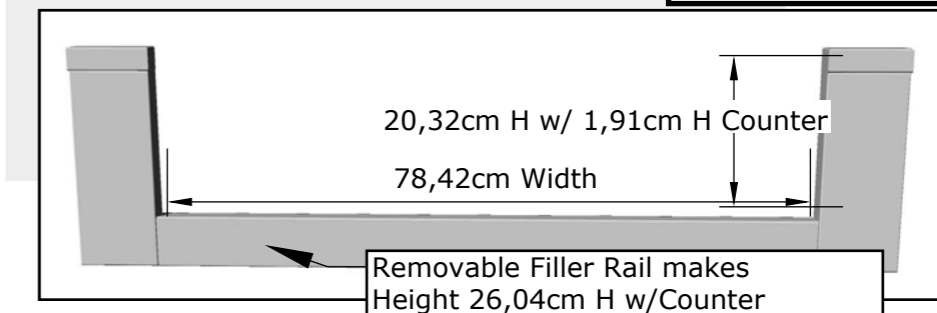


Item No. SCC40GTK3.75



Item No. SCC40GTK4.5

**COMES STANDARD**



Item No. SCC40GTK5

