

PRODUCT DATASHEET

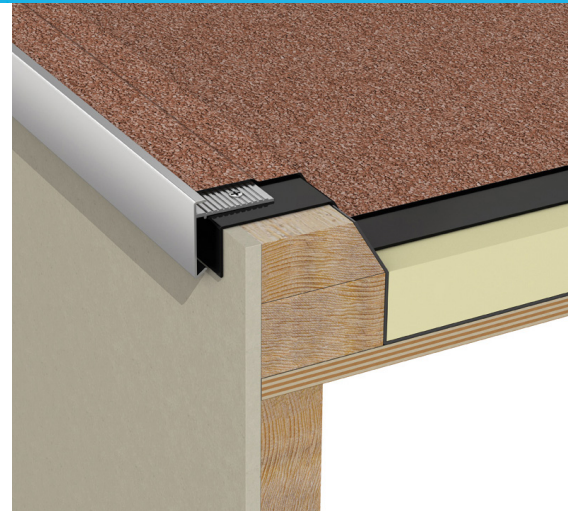
Aluminium Roof Edge Trim

RynoTrim Aluminium roof edge trim is manufactured from extruded aluminium alloy to BS 1474, Quality 6063/T6 (AlMgSi 0.5 F22). This provides a resilient finish that is not affected by atmospheric pollution and will not rust.

They are supplied in 3m lengths and can be easily cut on site to follow the alignment of the roof edges, and are suitable for both new build and refurbishment projects.

Profiles are available from stock in mill finish. Further colours available to special order.

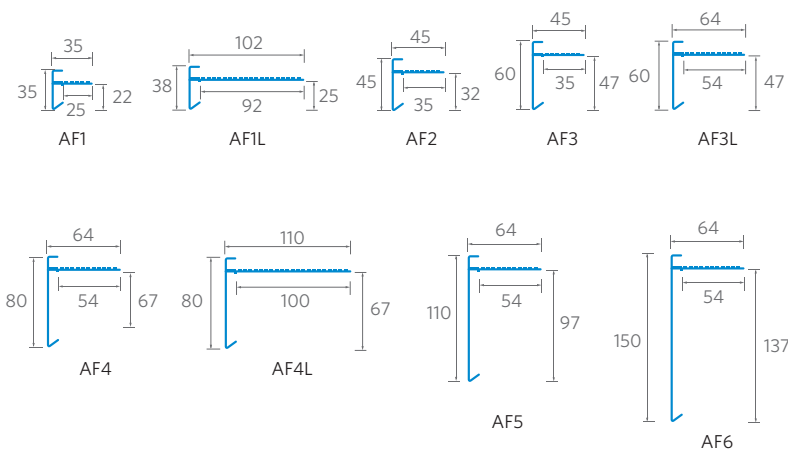
Preformed corners are available for all trim profiles.



TRIM PROFILES

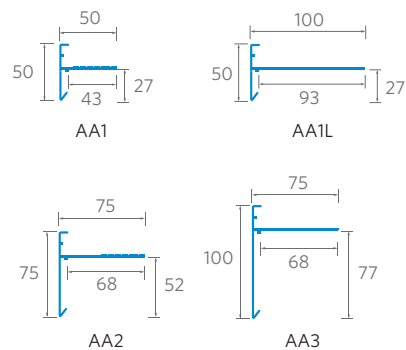
'AF' Profiles

For built up felt



'AA' Profiles

For mastic asphalt systems



TRIM CORNERS

Pre-formed corners eliminate the need for on-site mitre cutting. They also ensure a neat, accurate and watertight detail at any change in roof edge direction. Standard size 90° external and internal corners are available from stock.

Bespoke corners are available to special order, to suit specific requirements.

These include but are not limited to:

- Manufactured to any specific angle
- Manufactured to suit change in roof gradient
- Manufactured to any specific length
- Multiple corners



Castlepoint
Castle Way
Ellon AB41 9RG

01358 726000
sales@rynogroup.co.uk
rynogroup.co.uk

PRODUCT DATASHEET

Aluminium Roof Edge Trim

TRIM SUPPLY & INSTALLATION

RynoTrim is supplied in 3m length, complete with necessary connectors. There are 10 lengths per carton.

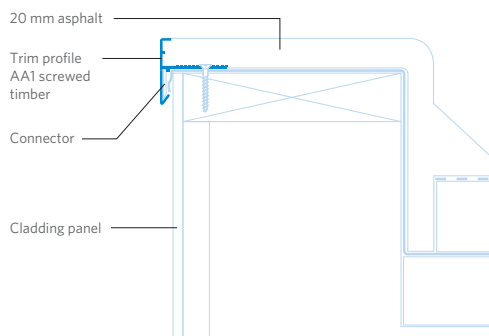
All drilling and cutting can be carried out using traditional tools. RynoTrim is normally fixed over the first layer of a built-up roofing system or the sheathing felt when asphalt is used. Typical details are shown below.

The trim should be fixed at maximum 300mm centres, using suitable fixings. A comprehensive range of fixings and drill bits are available from stock.

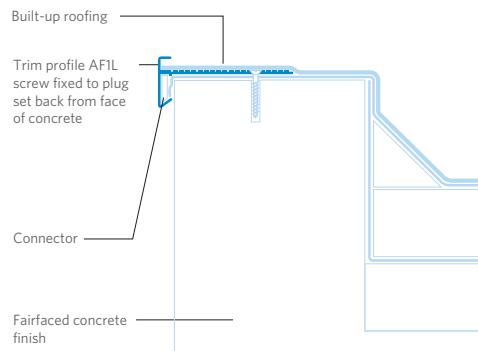
All lengths should be close butt jointed, using the connecting pieces supplied.



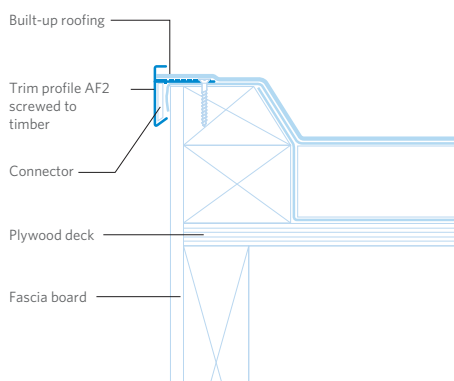
Asphalt finish on timber deck



Felt finish on concrete deck



Felt finish on plywood deck



Fixings and Sealant

Ryno offers a range of fixings and sealant to complement the Trim and Termination Bar ranges.



Castlepoint
Castle Way
Ellon AB41 9RG

01358 726000
sales@rynogroup.co.uk
rynogroup.co.uk