

# TECHNICAL DATA SHEET

## MAX 045-075

Adjustable terrace pedestal MAX 45-75 mm (1 12/16" - 2 15/16")

---

### BASIC INFORMATION

<b>Product name</b>	Adjustable terrace pedestal MAX 45-75 mm (1 12/16" - 2 15/16")
<b>Trade name</b>	MAX 045-075
<b>Product group</b>	Adjustable pedestals - MAX series
<b>Application</b>	Terrace with tiles Terrace with decking
<b>Code</b>	Tile gap 3 mm (1/8") - 10751 Tile gap 5 mm (3/16") - 107479 Joist version - 107587



### FEATURES

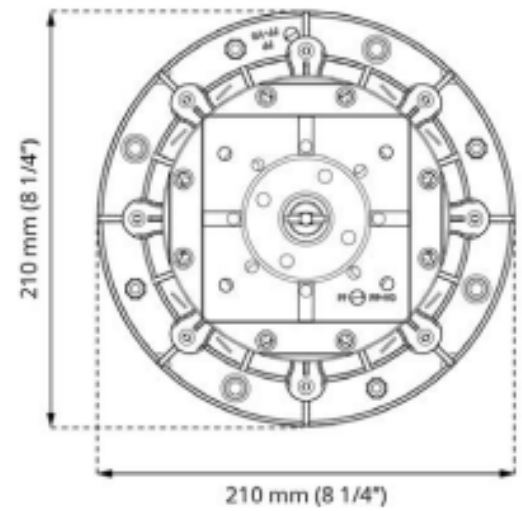
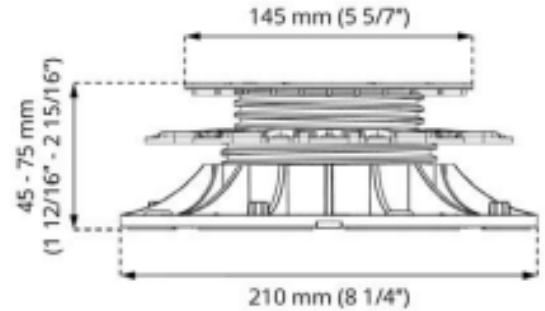
- Height from 45 to 75 mm (from 1 12/16" to 2 15/16").
- Easy and smooth height adjustment using a nut.
- Resistant to heavy loads.
- Possibility of systematic wind protection.
- Adapted to tiles/pavers and joists/decking.

### DESCRIPTION

The adjustable MAX pedestals for raised deck or paver terrace, also known as elevated terrace, are a series that provides maximum stability and resistance to loads for the most demanding projects and tasks. The base and head of the pedestal provide a wide support surface and terrace stabilization. Thanks to the unique double thread, the pedestals have a wide range of height adjustment, so only three models are sufficient. They can also be supplemented with an additional element - the DS200 height coupler, which increases the height by 200 mm (7 7/8"). The well-thought-out design and numerous additional features meet all the requirements set for pedestals during the construction of raised terraces. A wide range of additional accessories is available for the MAX series.

## PARAMETERS

Minimum height	45 mm (1 12/16")
Maximum height	75 mm (2 15/16")
Height adjustment type	Smooth height adjustment
Cap diameter	Ø 145 mm (165,1 cm <sup>2</sup> ) Ø 5 5/7" (25,59 in <sup>2</sup> )
Base diameter	Ø 210 mm (346,4 cm <sup>2</sup> ) Ø 8 1/4" (53,69 in <sup>2</sup> )
Weight	- 0,439 kg - 0.968 lbs
Load resistance	up to 1700 kg up to 3747 lbs
Operating temperature	-20°C; +65°C -4°F; +149°F
Color	Black
Material	Certified plastic PP



## APPLICATION

- Terrace with tiles (D3 or D5).
- Terrace with decking (DAD).

## COMPONENTS

- Basic version of MAX 045-075 is composed of 3 pieces:  
**MAX P1 + MAX TN1 + MAX S1**
- MAX 045-075 tile gap 3 mm (1/8") version:  
**MAX P1 + MAX TN1 + MAX S1 + D3**
- MAX 045-075 tile gap 5 mm (3/16") version:  
**MAX P1 + MAX TN1 + MAX S1 + D5**
- MAX 045-075 decking version:  
**MAX P1 + MAX TN1 + MAX S1 + DAD**

## CERTIFICATION

Up to date certificates and test reports available on demand:

1. Characteristic pedestal vertical load test.
2. Decrease of pedestal load bearing induced by laboratory UV light source exposure.
3. Decrease of pedestal load bearing capacity induced by thermal shock.
4. Decrease of pedestal load bearing capacity induced by salt water impact.
5. Decrease of pedestal load bearing capacity induced by temperature decrease -20°C / -4°F (24h).
6. Decrease of pedestal load bearing capacity induced by temperature increase to 65°C / +149°F (24h).
7. Characteristic value of deformation increase per unit of force induced by creep during 1000 hour test.
8. Reaction to fire classification, class.

## PEDESTAL HEAD FINISHING ELEMENT

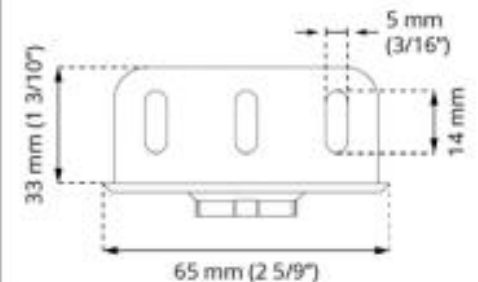
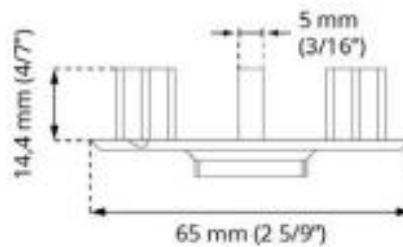
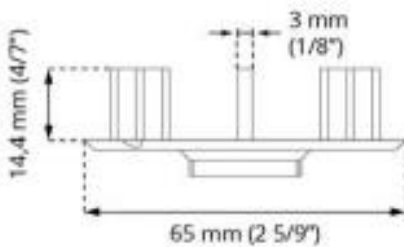
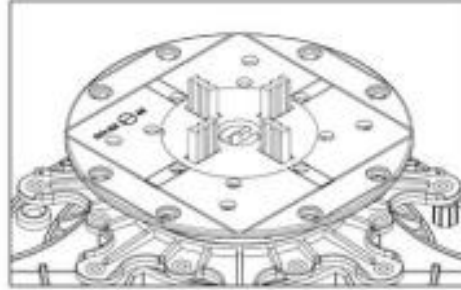
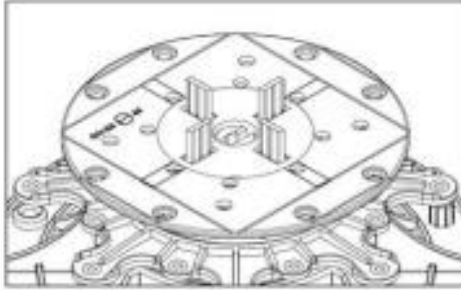
### FOR TILES VERSION

### FOR DECKING VERSION

MAX 045-075 with  
Cross spacer 3 mm (1/8") (K3)

MAX 045-075 with  
Cross spacer 5 mm (3/16") (K5)

MAX 045-075 with  
Joist adapter disc (DAD)



## USAGE

The pedestals can be adjusted to tiles or pavers (using D3, D5 discs as well as L3, L5 gap spacers) or joist with decking (using an adapter for joists - AD). The pedestals have a modular construction consisting of three elements: a base, a nut sleeve, and a support head with a screw (from a height of 350 mm (13 12/16"), an additional height coupler DS200 is also included). The height can be easily adjusted manually or more quickly using a special drill bit (PPK). Additionally, after laying the tiles, small adjustments can be made from the top using a key (MPK) - only when used with a self-leveling head. The pedestals also have the option of using the windproof system (WP), which permanently secures the tiles to the pedestals and provides additional stability to the structure using profiles and tensioners. They can also be installed on various types of substrates, including those with a slope of up to 14% and waterproof insulation.

## DATA LOGISTICS

Product	Type	Size	Quantity	Weight brutto
MAX 045-075	Carton box	60 x 50 x 40 cm (23 2/3" x 19 2/3" x 15 3/4")	54 pcs.	25 kg (55.12 lbs)
	Pallet	120 x 100 x 220 cm (47 1/4" x 39 1/2" x 86")	1080 pcs.	521 kg (1 148.61 lbs)



## ADDITIONAL ACCESSORIES

Height coupler 200 mm (7 7/8") **DS200**, Self leveling head **LE MAX**, Base slope corrector **SC**, Up to wall clip **DDPWAP**, Rubber shim **SH145**, Gap spacer disk 3 mm (1/8") **D3**, Gap spacer disk 5 mm (3/16") **D5**, Gap spacer 3 mm (1/8") **L3**, Gap spacer 5 mm (3/16") **L5**, Joist adapter disk **DAD**, Joist adapter **AD**, Drill driver bit tool **PPK**, Key from the top **MPK**, Windproof system **WP**, Side finishing closure tile **DDP CP**, SBR rubber pad SBR 220/3 mm (8 5/8" x 1/8") **SBR220/3**.

## EXAMPLE OF SERIES MAX APPLICATION



# TECHNICAL DATA SHEET

## MAX 350-550

Adjustable terrace pedestal MAX 350-550 mm (13 12/16" - 21 10/16")

### BASIC INFORMATION

<b>Product name</b>	Adjustable terrace pedestal MAX 350-550 mm (13 12/16" - 21 10/16")
<b>Trade name</b>	MAX 350-550
<b>Product group</b>	Adjustable pedestals - MAX series
<b>Application</b>	Terrace with tiles Terrace with decking
<b>Code</b>	Tile gap 3 mm (1/8"): 10665 + 10679 Tile gap 5 mm (3/16"): 10666 + 10679 Joist version: 10669 + 10679

### FEATURES

- Height from 350 to 550 mm (from 13 12/16" to 21 10/16").
- Easy and smooth height adjustment using a nut.
- Resistant to heavy loads.
- Possibility of systematic wind protection.
- Adapted to tiles/pavers and joists/decking.

### DESCRIPTION

The adjustable MAX pedestals for raised deck or paver terrace, also known as elevated terrace, are a series that provides maximum stability and resistance to loads for the most demanding projects and tasks. The base and head of the pedestal provide a wide support surface and terrace stabilization. Thanks to the unique double thread, the pedestals have a wide range of height adjustment, so only three models are sufficient. They can also be supplemented with an additional element - the DS200 height coupler, which increases the height by 200 mm (7 7/8"). The well-thought-out design and numerous additional features meet all the requirements set for pedestals during the construction of raised terraces. A wide range of additional accessories is available for the MAX series.



## PARAMETERS

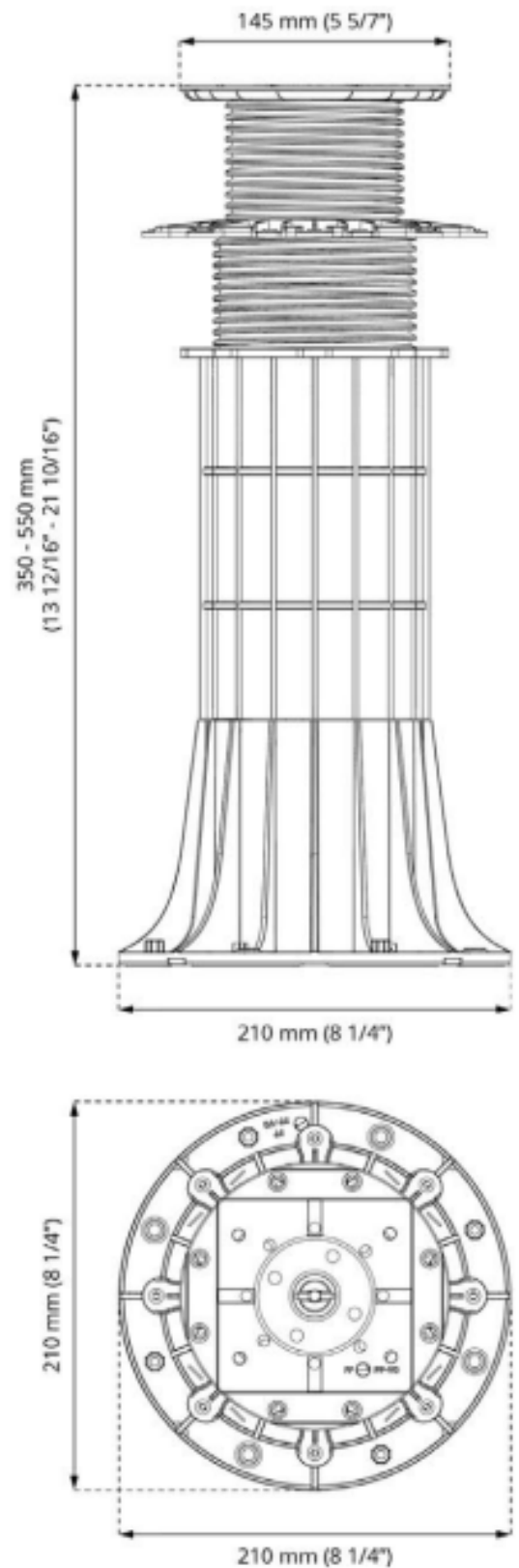
Minimum height	350 mm (13 12/16")
Maximum height	550 mm (21 10/16")
Height adjustment type	Smooth height adjustment
Cap diameter	Ø 145 mm (165,1 cm <sup>2</sup> ) Ø 5 5/7" (25,59 in <sup>2</sup> )
Base diameter	Ø 210 mm (346,4 cm <sup>2</sup> ) Ø 8 1/4" (53,69 in <sup>2</sup> )
Weight	- 1,388 kg - 3.06 lbs
Load resistance	up to 1700 kg up to 3747 lbs
Operating temperature	-20°C; +65°C -4°F; +149°F
Color	Black
Material	Certified plastic PP

## APPLICATION

- Terrace with tiles (D3 or D5).
- Terrace with decking (DAD).

## COMPONENTS

- Basic version of MAX 350-550 is composed of:  
**MAX P3 + DS200 + MAX TN3 + MAX S3**
- MAX 350-550 tile gap 3 mm (1/8") version:  
**MAX P3 + DS200 + MAX TN3 + MAX S3 + D3**
- MAX 350-550 tile gap 5 mm (3/16") version:  
**MAX P3 + DS200 + MAX TN3 + MAX S3 + D5**
- MAX 350-550 decking version:  
**MAX P3 + DS200 + MAX TN3 + MAX S3 + DAD**



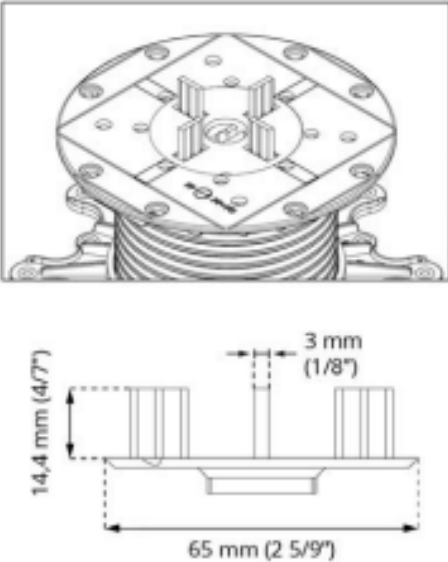
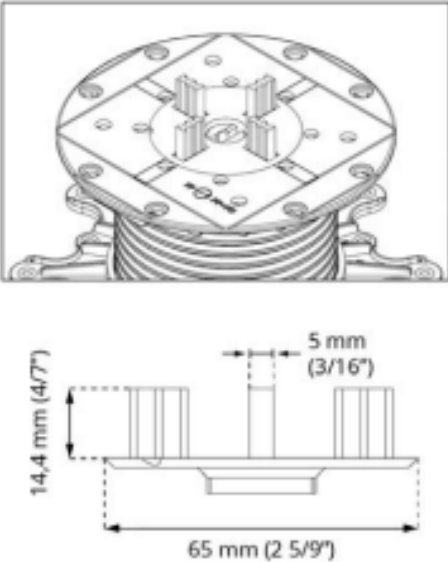
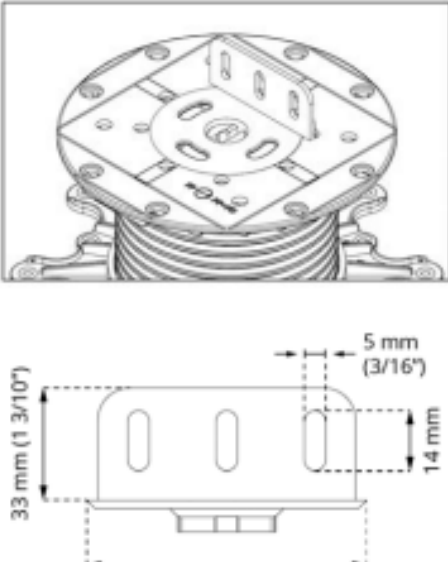


## CERTIFICATION

Up to date certificates and test reports available on demand:

1. Characteristic pedestal vertical load test.
2. Decrease of pedestal load bearing induced by laboratory UV light source exposure.
3. Decrease of pedestal load bearing capacity induced by thermal shock.
4. Decrease of pedestal load bearing capacity induced by salt water impact.
5. Decrease of pedestal load bearing capacity induced by temperature decrease -20°C / -4°F (24h).
6. Decrease of pedestal load bearing capacity induced by temperature increase to 65°C / +149°F (24h).
7. Characteristic value of deformation increase per unit of force induced by creep during 1000 hour test.
8. Reaction to fire classification, class.

## PEDESTAL HEAD FINISHING ELEMENT

FOR TILES VERSION	FOR DECKING VERSION
<p style="text-align: center;">MAX 350-550 with Cross spacer 3 mm (1/8") (K3)</p> 	<p style="text-align: center;">MAX 350-550 with Cross spacer 5 mm (3/16") (K5)</p> 
	<p style="text-align: center;">MAX 350-550 with Joist adapter disc (DAD)</p> 

## USAGE

The pedestals can be adjusted to tiles or pavers (using D3, D5 discs as well as L3, L5 gap spacers) or joist with decking (using an adapter for joists - AD). The pedestals have a modular construction consisting of three elements: a base, a nut sleeve, and a support head with a screw (from a height of 350 mm (13 12/16"), an additional height coupler DS200 is also included). The height can be easily adjusted manually or more quickly using a special drill bit (PPK). Additionally, after laying the tiles, small adjustments can be made from the top using a key (MPK) - only when used with a self-leveling head. The pedestals also have the option of using the windproof system (WP), which permanently secures the tiles to the pedestals and provides additional stability to the structure using profiles and tensioners. They can also be installed on various types of substrates, including those with a slope of up to 14% and waterproof insulation.

## DATA LOGISTICS

Product	Type	Size	Quantity	Weight brutto
MAX 150-350	Carton box	60 x 50 x 40 cm (23 2/3" x 19 2/3" x 15 3/4")	18 pcs.	19,67 kg (43.36 lbs)
	Pallet	120 x 100 x 220 cm (47 1/4" x 39 1/2" x 86")	360 pcs.	413 kg (910.51 lbs)
DS200	Carton box	60 x 50 x 40 cm (23 2/3" x 19 2/3" x 15 3/4")	30 pcs.	12,73 kg (28.06 lbs)
	Pallet	120 x 100 x 220 cm (47 1/4" x 39 1/2" x 86")	600 pcs.	275 kg (606.27 lbs)

## ADDITIONAL ACCESSORIES

Height coupler 200 mm (7 7/8") **DS200**, Self leveling head **LE MAX**, Base slope corrector **SC**, Up to wall clip **DDPWAP**, Rubber shim **SH145**, Gap spacer disk 3 mm (1/8") **D3**, Gap spacer disk 5 mm (3/16") **D5**, Gap spacer 3 mm (1/8") **L3**, Gap spacer 5 mm (3/16") **L5**, Joist adapter disk **DAD**, Joist adapter **AD**, Drill driver bit tool **PPK**, Key from the top **MPK**, Windproof system **WP**, Side finishing closure tile **DDP CP**, SBR rubber pad SBR 220/3 mm (8 5/8" x 1/8") **SBR220/3**.

## EXAMPLE OF SERIES MAX APPLICATION







# MAX 550-750

Adjustable terrace pedestal MAX 550-750 mm (21 10/16" - 29 8/16")

## BASIC INFORMATION

<b>Product name</b>	Adjustable terrace pedestal MAX 550-750 mm (21 10/16" - 29 8/16")
<b>Trade name</b>	MAX 550-750
<b>Product group</b>	Adjustable pedestals - MAX series
<b>Application</b>	Terrace with tiles Terrace with decking
<b>Code</b>	Tile gap 3 mm (1/8"): 10665 + 2× 10679 Tile gap 5 mm (3/16"): 10666 + 2× 10679 Joist version: 10669 + 2× 10679

## FEATURES

- Height from 550 to 750 mm (from 21 10/16" to 29 8/16").
- Easy and smooth height adjustment using a nut.
- Resistant to heavy loads.
- Possibility of systematic wind protection.
- Adapted to tiles/pavers and joists/decking.

## DESCRIPTION

The adjustable MAX pedestals for raised deck or paver terrace, also known as elevated terrace, are a series that provides maximum stability and resistance to loads for the most demanding projects and tasks. The base and head of the pedestal provide a wide support surface and terrace stabilization. Thanks to the unique double thread, the pedestals have a wide range of height adjustment, so only three models are sufficient. They can also be supplemented with an additional element - the DS200 height coupler, which increases the height by 200 mm (7 7/8"). The well-thought-out design and numerous additional features meet all the requirements set for pedestals during the construction of raised terraces. A wide range of additional accessories is available for the MAX series.



## PARAMETERS

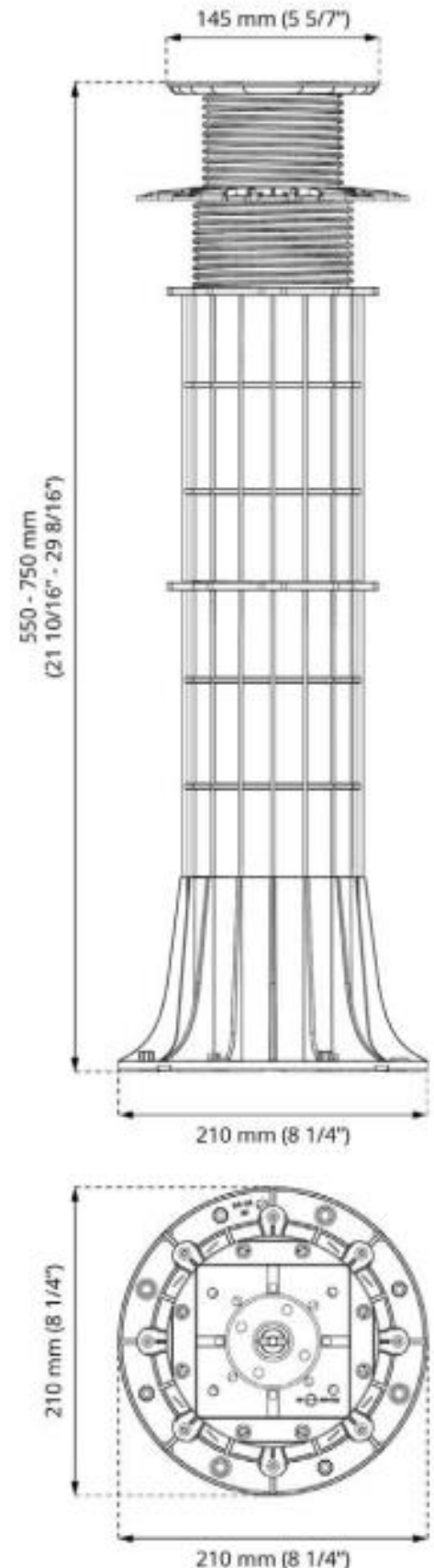
Minimum height	550 mm (21 10/16")
Maximum height	750 mm (29 8/16")
Height adjustment type	Smooth height adjustment
Cap diameter	Ø 145 mm (165,1 cm <sup>2</sup> ) Ø 5 5/7" (25,59 in <sup>2</sup> )
Base diameter	Ø 210 mm (346,4 cm <sup>2</sup> ) Ø 8 1/4" (53,69 in <sup>2</sup> )
Weight	- 1,763 kg - 3.887 lbs
Load resistance	up to 1700 kg up to 3747 lbs
Operating temperature	-20°C; +65°C -4°F; +149°F
Color	Black
Material	Certified plastic PP

## APPLICATION

- Terrace with tiles (D3 or D5).
- Terrace with decking (DAD).

## COMPONENTS

- Basic version of MAX 550-750 is composed of:  
**MAX P3 + 2× DS200 + MAX TN3 + MAX S3**
- MAX 550-750 tile gap 3 mm (1/8") version:  
**MAX P3 + 2× DS200 + MAX TN3 + MAX S3 + D3**
- MAX 550-750 tile gap 5 mm (3/16") version:  
**MAX P3 + 2× DS200 + MAX TN3 + MAX S3 + D5**
- MAX 550-750 decking version:  
**MAX P3 + 2× DS200 + MAX TN3 + MAX S3 + DAD**



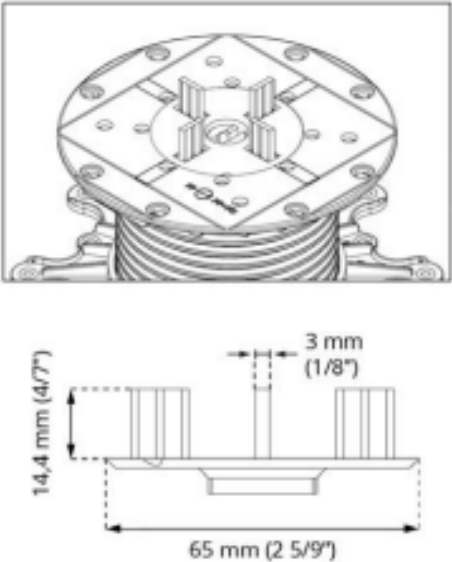
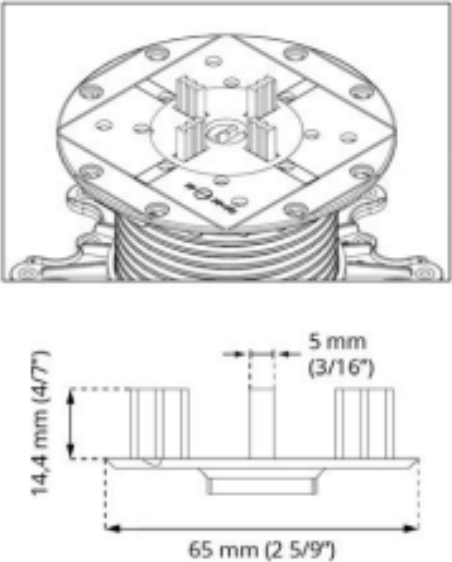
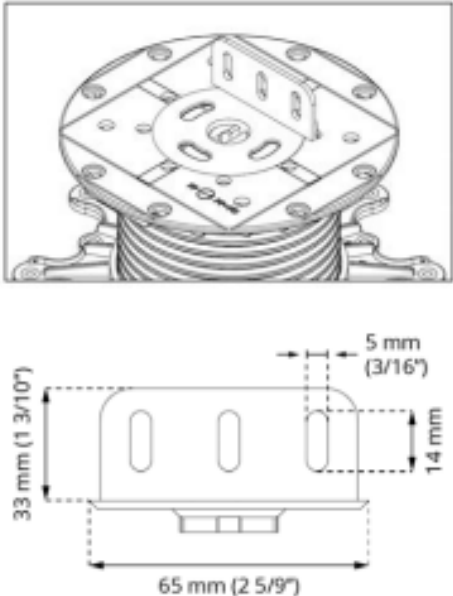


## CERTIFICATION

Up to date certificates and test reports available on demand:

1. Characteristic pedestal vertical load test.
2. Decrease of pedestal load bearing induced by laboratory UV light source exposure.
3. Decrease of pedestal load bearing capacity induced by thermal shock.
4. Decrease of pedestal load bearing capacity induced by salt water impact.
5. Decrease of pedestal load bearing capacity induced by temperature decrease -20°C / -4°F (24h).
6. Decrease of pedestal load bearing capacity induced by temperature increase to 65°C / +149°F (24h).
7. Characteristic value of deformation increase per unit of force induced by creep during 1000 hour test.
8. Reaction to fire classification, class.

## PEDESTAL HEAD FINISHING ELEMENT

FOR TILES VERSION	FOR TILES VERSION	FOR DECKING VERSION
<p>MAX 550-750 with Cross spacer 3 mm (1/8") (K3)</p> 	<p>MAX 550-750 with Cross spacer 5 mm (3/16") (K5)</p> 	<p>MAX 550-750 with Joist adapter disc (DAD)</p> 

## USAGE

The pedestals can be adjusted to tiles or pavers (using D3, D5 discs as well as L3, L5 gap spacers) or joist with decking (using an adapter for joists - AD). The pedestals have a modular construction consisting of three elements: a base, a nut sleeve, and a support head with a screw (from a height of 350 mm (13 12/16"), an additional height coupler DS200 is also included). The height can be easily adjusted manually or more quickly using a special drill bit (PPK). Additionally, after laying the tiles, small adjustments can be made from the top using a key (MPK) - only when used with a self-leveling head. The pedestals also have the option of using the windproof system (WP), which permanently secures the tiles to the pedestals and provides additional stability to the structure using profiles and tensioners. They can also be installed on various types of substrates, including those with a slope of up to 14% and waterproof insulation.

## DATA LOGISTICS

Product	Type	Size	Quantity	Weight brutto
MAX 150-350	Carton box	60 x 50 x 40 cm (23 2/3" x 19 2/3" x 15 3/4")	18 pcs.	19,67 kg (43.36 lbs)
	Pallet	120 x 100 x 220 cm (47 1/4" x 39 1/2" x 86")	360 pcs.	413 kg (910.51 lbs)
DS200	Carton box	60 x 50 x 40 cm (23 2/3" x 19 2/3" x 15 3/4")	30 pcs.	12,73 kg (28.06 lbs)
	Pallet	120 x 100 x 220 cm (47 1/4" x 39 1/2" x 86")	600 pcs.	275 kg (606.27 lbs)

## ADDITIONAL ACCESSORIES

Height coupler 200 mm (7 7/8") **DS200**, Self leveling head **LE MAX**, Base slope corrector **SC**, Up to wall clip **DDPWAP**, Rubber shim **SH145**, Gap spacer disk 3 mm (1/8") **D3**, Gap spacer disk 5 mm (3/16") **D5**, Gap spacer 3 mm (1/8") **L3**, Gap spacer 5 mm (3/16") **L5**, Joist adapter disk **DAD**, Joist adapter **AD**, Drill driver bit tool **PPK**, Key from the top **MPK**, Windproof system **WP**, Side finishing closure tile **DDP CP**, SBR rubber pad SBR 220/3 mm (8 5/8" x 1/8") **SBR220/3**.

## EXAMPLE OF SERIES MAX APPLICATION







# TECHNICAL DATA SHEET

## MAX 750-950

Adjustable terrace pedestal MAX 750-950 mm (29 8/16" - 37 6/16")

### BASIC INFORMATION

<b>Product name</b>	Adjustable terrace pedestal MAX 750-950 mm (29 8/16" - 37 6/16")
<b>Trade name</b>	MAX 750-950
<b>Product group</b>	Adjustable pedestals - MAX series
<b>Application</b>	Terrace with tiles Terrace with decking
<b>Code</b>	Tile gap 3 mm (1/8"): 10665 + 3× 10679 Tile gap 5 mm (3/16"): 10666 + 3× 10679 Joist version: 10669 + 3× 10679

### FEATURES

- Height from 750 to 950 mm (from 29 8/16" to 37 6/16").
- Easy and smooth height adjustment using a nut.
- Resistant to heavy loads.
- Possibility of systematic wind protection.
- Adapted to tiles/pavers and joists/decking.

### DESCRIPTION

The adjustable MAX pedestals for raised deck or paver terrace, also known as elevated terrace, are a series that provides maximum stability and resistance to loads for the most demanding projects and tasks. The base and head of the pedestal provide a wide support surface and terrace stabilization. Thanks to the unique double thread, the pedestals have a wide range of height adjustment, so only three models are sufficient. They can also be supplemented with an additional element - the DS200 height coupler, which increases the height by 200 mm (7 7/8"). The well-thought-out design and numerous additional features meet all the requirements set for pedestals during the construction of raised terraces. A wide range of additional accessories is available for the MAX series.



## PARAMETERS

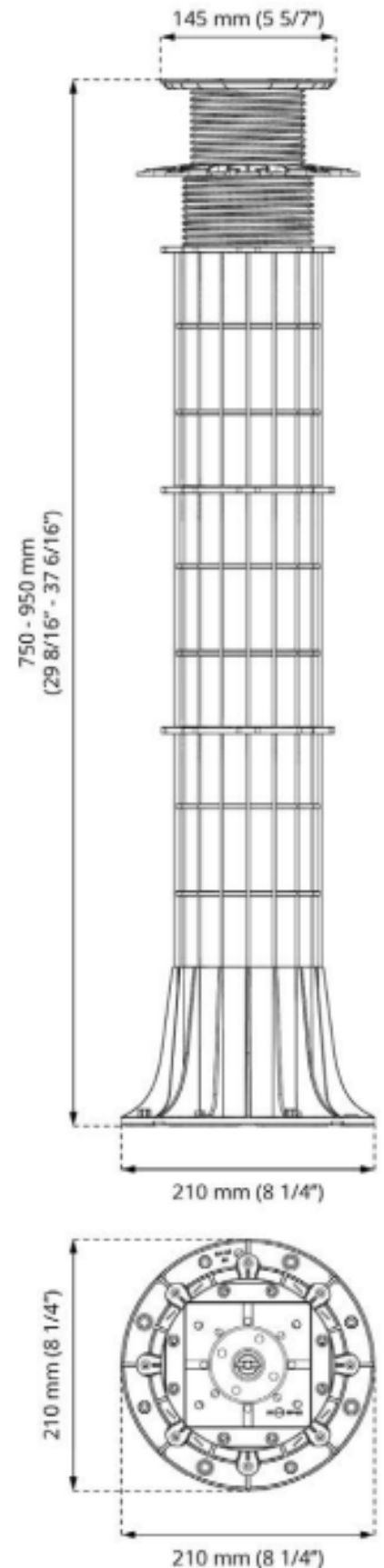
Minimum height	750 mm (29 8/16")
Maximum height	950 mm (37 6/16")
Height adjustment type	Smooth height adjustment
Cap diameter	Ø 145 mm (165,1 cm <sup>2</sup> ) Ø 5 5/7" (25,59 in <sup>2</sup> )
Base diameter	Ø 210 mm (346,4 cm <sup>2</sup> ) Ø 8 1/4" (53,69 in <sup>2</sup> )
Weight	- 2,138 kg - 4.713 lbs
Load resistance	up to 1700 kg up to 3747 lbs
Operating temperature	-20°C; +65°C -4°F; +149°F
Color	Black
Material	Certified plastic PP

## APPLICATION

- Terrace with tiles (D3 or D5).
- Terrace with decking (DAD).

## COMPONENTS

- Basic version of MAX 750-950 is composed of:  
**MAX P3 + 3× DS200 + MAX TN3 + MAX S3**
- MAX 750-950 tile gap 3 mm (1/8") version:  
**MAX P3 + 3× DS200 + MAX TN3 + MAX S3 + D3**
- MAX 750-950 tile gap 5 mm (3/16") version:  
**MAX P3 + 3× DS200 + MAX TN3 + MAX S3 + D5**
- MAX 750-950 decking version:  
**MAX P3 + 3× DS200 + MAX TN3 + MAX S3 + DAD**

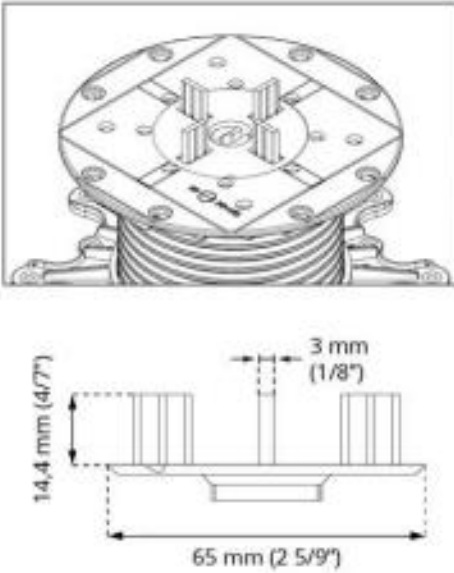
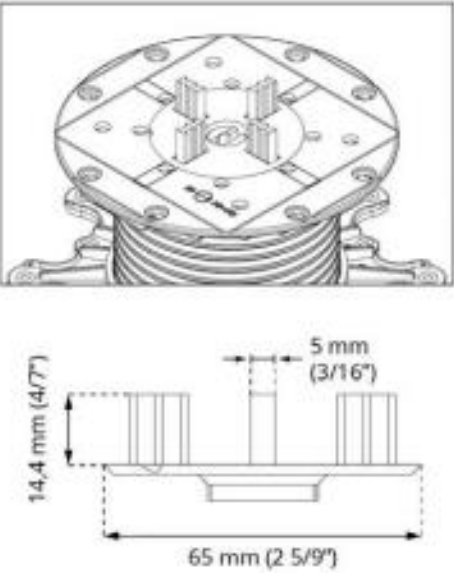
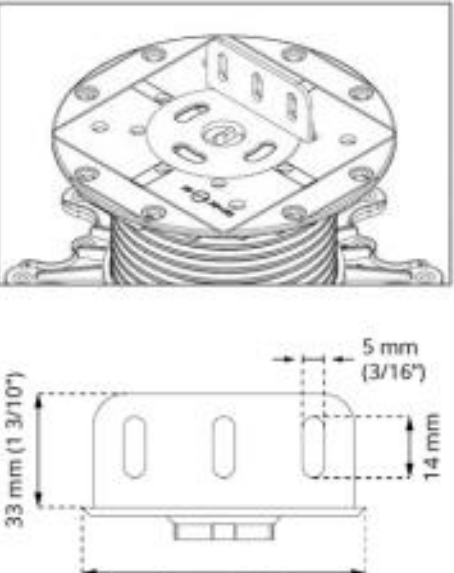


## CERTIFICATION

Up to date certificates and test reports available on demand:

1. Characteristic pedestal vertical load test.
2. Decrease of pedestal load bearing induced by laboratory UV light source exposure.
3. Decrease of pedestal load bearing capacity induced by thermal shock.
4. Decrease of pedestal load bearing capacity induced by salt water impact.
5. Decrease of pedestal load bearing capacity induced by temperature decrease -20°C / -4°F (24h).
6. Decrease of pedestal load bearing capacity induced by temperature increase to 65°C / +149°F (24h).
7. Characteristic value of deformation increase per unit of force induced by creep during 1000 hour test.
8. Reaction to fire classification, class.

## PEDESTAL HEAD FINISHING ELEMENT

FOR TILES VERSION	FOR TILES VERSION	FOR DECKING VERSION
<p>MAX 750-950 with Cross spacer 3 mm (1/8") (K3)</p> 	<p>MAX 750-950 with Cross spacer 5 mm (3/16") (K5)</p> 	<p>MAX 750-950 with Joist adapter disc (DAD)</p> 

## USAGE

The pedestals can be adjusted to tiles or pavers (using D3, D5 discs as well as L3, L5 gap spacers) or joist with decking (using an adapter for joists - AD). The pedestals have a modular construction consisting of three elements: a base, a nut sleeve, and a support head with a screw (from a height of 350 mm (13 12/16"), an additional height coupler DS200 is also included). The height can be easily adjusted manually or more quickly using a special drill bit (PPK). Additionally, after laying the tiles, small adjustments can be made from the top using a key (MPK) - only when used with a self-leveling head. The pedestals also have the option of using the windproof system (WP), which permanently secures the tiles to the pedestals and provides additional stability to the structure using profiles and tensioners. They can also be installed on various types of substrates, including those with a slope of up to 14% and waterproof insulation.



## DATA LOGISTICS

Product	Type	Size	Quantity	Weight brutto
MAX 150-350	Carton box	60 x 50 x 40 cm (23 2/3" x 19 2/3" x 15 3/4")	18 pcs.	19,67 kg (43.36 lbs)
	Pallet	120 x 100 x 220 cm (47 1/4" x 39 1/2" x 86")	360 pcs.	413 kg (910.51 lbs)
DS200	Carton box	60 x 50 x 40 cm (23 2/3" x 19 2/3" x 15 3/4")	30 pcs.	12,73 kg (28.06 lbs)
	Pallet	120 x 100 x 220 cm (47 1/4" x 39 1/2" x 86")	600 pcs.	275 kg (606.27 lbs)

## ADDITIONAL ACCESSORIES

Height coupler 200 mm (7 7/8") **DS200**, Self leveling head **LE MAX**, Base slope corrector **SC**, Up to wall clip **DDPWAP**, Rubber shim **SH145**, Gap spacer disk 3 mm (1/8") **D3**, Gap spacer disk 5 mm (3/16") **D5**, Gap spacer 3 mm (1/8") **L3**, Gap spacer 5 mm (3/16") **L5**, Joist adapter disk **DAD**, Joist adapter **AD**, Drill driver bit tool **PPK**, Key from the top **MPK**, Windproof system **WP**, Side finishing closure tile **DDP CP**, SBR rubber pad SBR 220/3 mm (8 5/8" x 1/8") **SBR220/3**.

## EXAMPLE OF SERIES MAX APPLICATION



