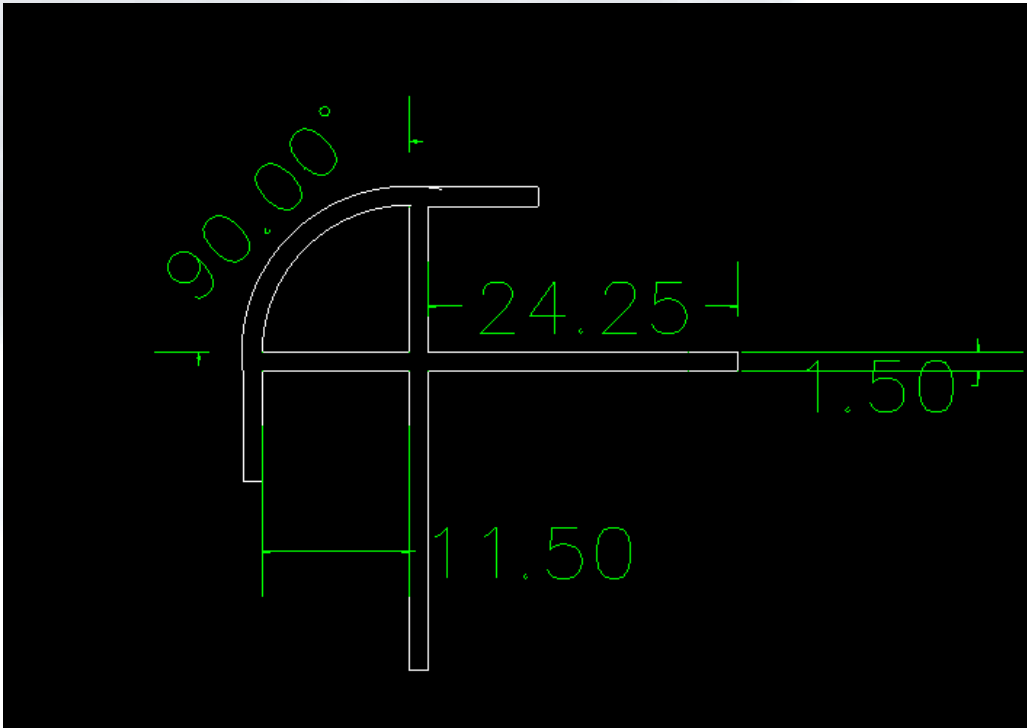


CROSS-DIAGRAM DRAWING



FREQUENTLY ASKED QUESTIONS

What is an AQ10 External Corner?

An AQ10 External Corner is a trim used for STORM's hygiene cladding range.

What are AQ10 External Corners used for?

AQ10 External Corners are used to join AQ1000/1000-3D decorative wall cladding on a corner.

What is the best thing about AQ10 External Corners?

The best thing about AQ10 External Corners is that they are simple and easy to use and install.

Why should end users use STORM's AQ10 External Corners instead of a competitor's?

End users should use STORM's AQ10 External Corners instead of a competitor's because they are available in 3 colours and packed singularly.

Who are the type of customers that commonly use AQ10 External Corners (which industries/sectors/job types)

The type of customer to use this product would be DIY and plumbers.

Where are AQ10 External Corners most commonly installed?

AQ10 External Corners are most commonly installed in washrooms.

When should an AQ10 External Corner be considered and installed?

An AQ10 External Corners should be considered and installed when renovating bathrooms or wet rooms.