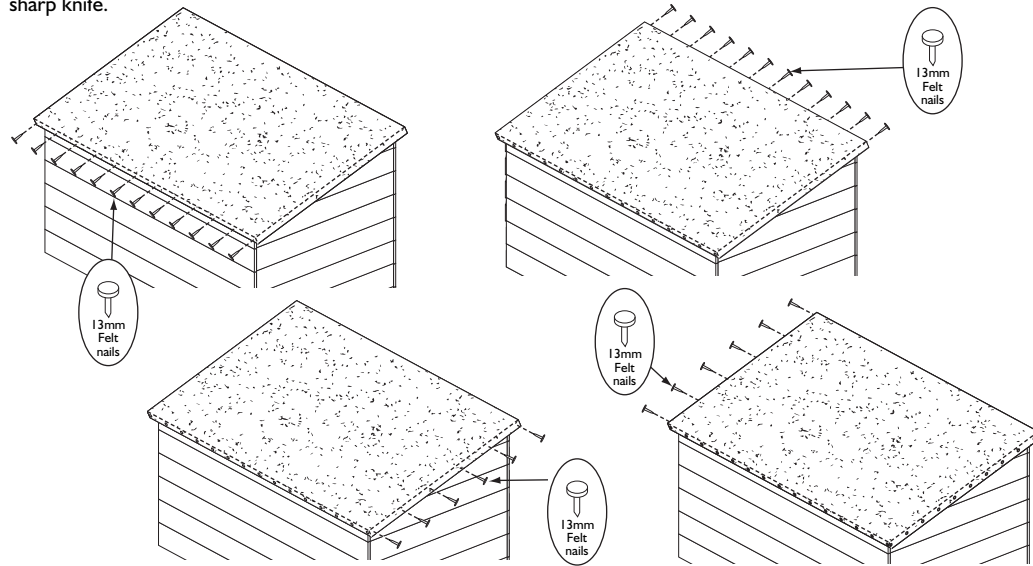


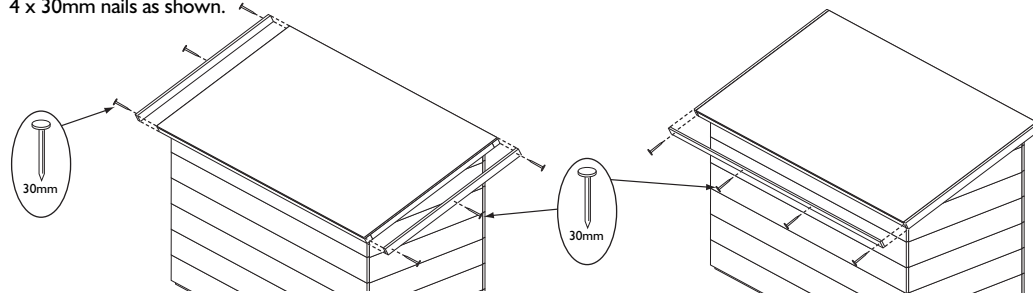
#### 4. Roofing felt

Lay the felt over the lid ensuring that there is an equal overhang all round. Fold the felt over the front of the lid and secure to the lid framing using 12 x 13mm felt nails evenly spaced. Tension the felt over the back edge of the lid, fold down and secure using 12 x 13mm felt nails evenly spaced to the frame of the lid. Neatly fold the felt down on each side of the lid and secure using 6 x 13mm felt nails evenly spaced per side. Once the felt is fully secured trim off any excess felt. with a sharp knife.



#### 9. Bargeboards

Attach a short bargeboard to each side ensure the top and front edges are flush with the roof line and secure each board in place using 3 x 30mm nails. Attach the long bargeboard to the front of the roof make sure it is flush to the roof line use 4 x 30mm nails as shown.



#### Important information

##### Timber Information.

As timber is a natural material, there are certain weather conditions that may affect the materials properties. In times of excessive dry spells the material may lose some of its internal moisture causing a certain degree of shrinkage on a panel and in periods of excessive rain there will be a certain amount of swelling throughout the wooden panels. This process can not be avoided. If you have problems with certain boards shrinking in dry spells try to decrease the amount of direct sunlight on the building or the amount of air passing over the building. During hot spells spray water directly onto the panels with the aid of a garden hose.

If in doubt of any aspect regarding the assembly, use or safety of your Patio Chest please contact us :

**Help Line: (Normal Office Hours) 01829 261 121**

**Email: support@rowgar.co.uk**

ROWLINSON GARDEN PRODUCTS LIMITED  
Green Lane  
Wardle Nr. Nantwich  
Cheshire  
CW5 6BN  
[www.rowgar.co.uk](http://www.rowgar.co.uk)

We constantly improve the quality of our products, occasionally the components may differ from the components shown and are only correct at time of printing. We reserve the right to change the specification of our products without prior notice.

**2018 © Rowlinson Garden Products Ltd**

**ROWLINSON®**  
GARDEN PRODUCTS

## Overlap Patio Chest

**English SS427**

#### Assembly Instructions

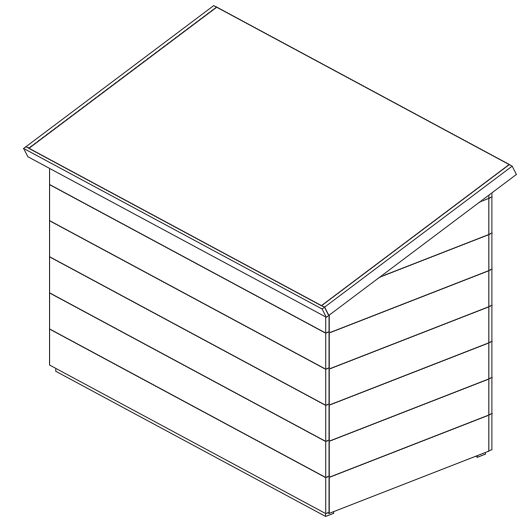
##### Before assembly

- We recommend that time is taken to read the instructions before starting assembly, then follow the easy step by step guide. The instruction sheet is only a guide to the assembly. Certain items may not be shown to scale.
- Check all components prior to assembly
- This product should be assembled by no less than two people
- Drill all components where indicated



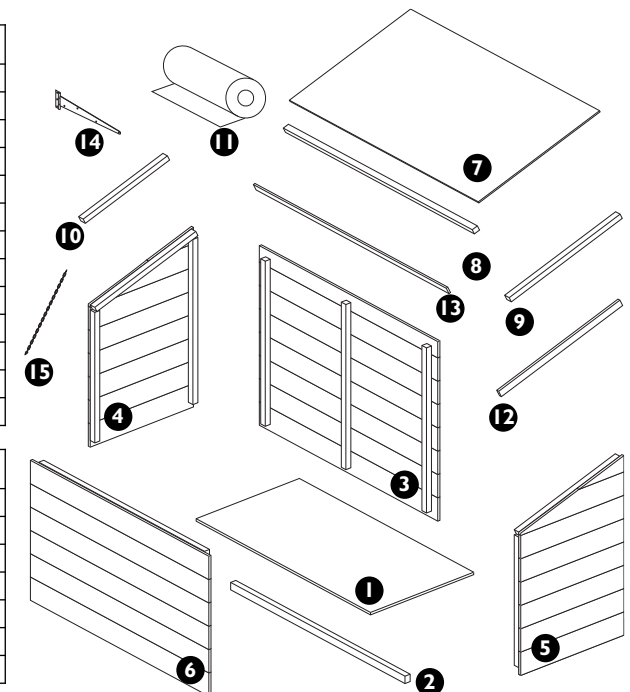
##### Recommended tools for assembly

- Powered drill/driver
- Cross head screwdriver bit
- 3mm drill bit
- Hammer
- Sharp knife



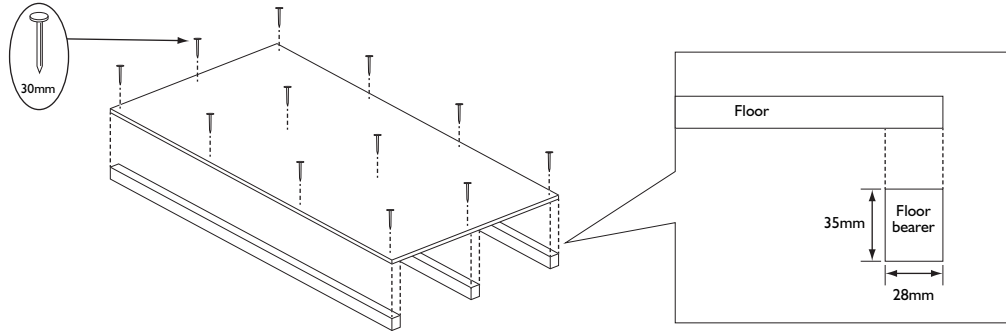
| No. | Components                          | Qty. |
|-----|-------------------------------------|------|
| 1   | Floor (11x580x1065mm)               | 1    |
| 2   | Floor bearers (35x28x1065mm)        | 3    |
| 3   | Back panel                          | 1    |
| 4   | Left panel                          | 1    |
| 5   | Right panel                         | 1    |
| 6   | Front panel                         | 1    |
| 7   | Lid (11x700x1170mm)                 | 1    |
| 8   | Lid front/rear frame (28x28x1170mm) | 2    |
| 9   | Lid side frame (28x28x645mm)        | 2    |
| 10  | Lid stay (28x28x555mm)              | 1    |
| 11  | Roofing felt                        | 1    |
| 12  | Side bargeboard                     | 2    |
| 13  | Front bargeboard                    | 1    |

| No. | Fixings              | Qty. |
|-----|----------------------|------|
| 14  | T-hinge              | 2    |
| 15  | Chain                | 1    |
| 16  | 50mm screws          | 9    |
| 17  | 25mm screws          | 14   |
| 18  | 30mm nails           | 48   |
| 19  | 19mm Roundhead screw | 2    |
| 20  | 13mm felt nails      | 36   |



## 1. Floor

Attach the three floor bearers to the floor using 4 x 30mm nails per bearer. Have the two outer bearers flush with the edge of the floor and centre the middle bearer. Nail through the floor into the narrow edge of the bearers.

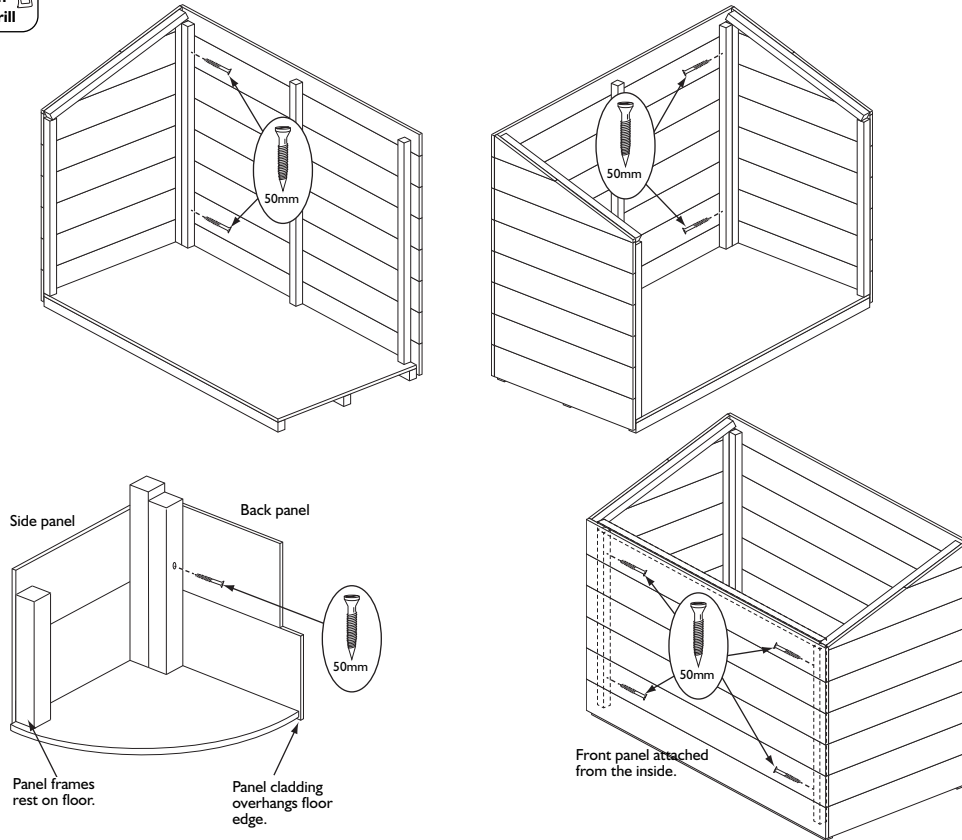


## 2. Wall panels

Position the left panel and back panel as shown. Note how the panel frames sit on the floor with the panel cladding overhanging the floor edge. Ensure square and secure using 2 x 50mm screws through the frame of the back panel into the frame of the left panel. In the same way attach the right-hand panel. Place the front panel between the sides and attach in the same way using 4 x 50mm screws.

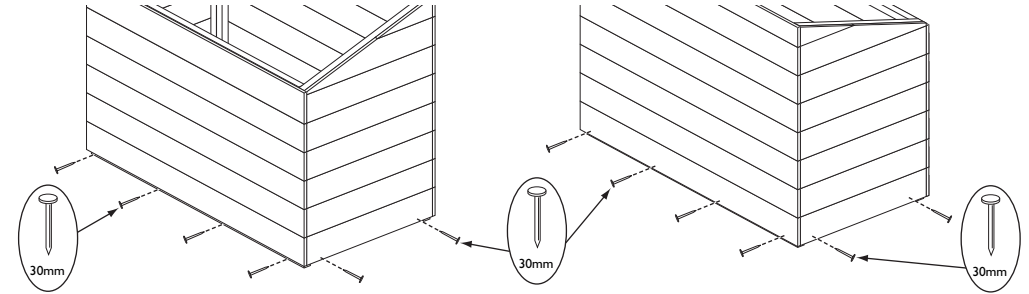


It is recommended to drill pilot holes for each screw in this section.



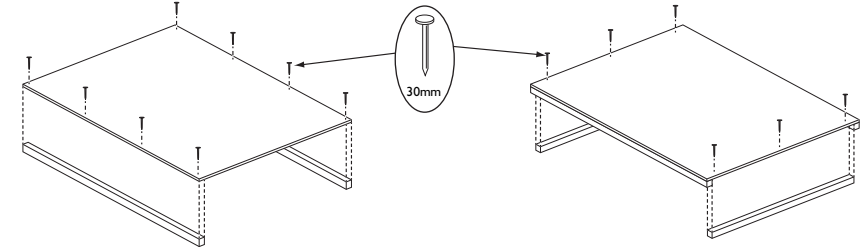
## 3. Secure walls to floor

Secure the front and back panels to the floor using 4 x 30mm nails for each. Nail through the shiplap of the panels into the floor bearer. Secure each side panel using 2 x 30mm nails. Nail through the shiplap into the ends of each floor bearer.



## 4. Lid frames

To the lid panel, attach the front/rear frames flush with the long edges of the panel using 4 x 30mm nails. Nail through the panel into the framing. At each end, position the side frames between the front and rear frames, ensure they are flush with the ends of the lid panel and secure each side frame using 3 x 30mm nails.



## 5. Lid

Place the lid into position. Locate the hinges and mark the position of the screw holes on the lid ensuring they are in line with back panel framing. Remove the lid and secure the two hinges in the marked position using 3 x 25mm screws per hinge. Replace the lid and secure the hinges to the back panels using 4 x 25mm screws per hinge. Secure the lid stay to the frame of the left side panel using 1 x 50mm screw. Make sure that the bar is able to pivot and will fit inside the chest to allow the lid to shut. Open and hold the lid so it stands vertical. Using the two 19mm screws, secure one end of the chain to the inside of the lid side frame and the other end to the outside of the side panel. The chain should be positioned so it prevents the lid from opening beyond the vertical position.

