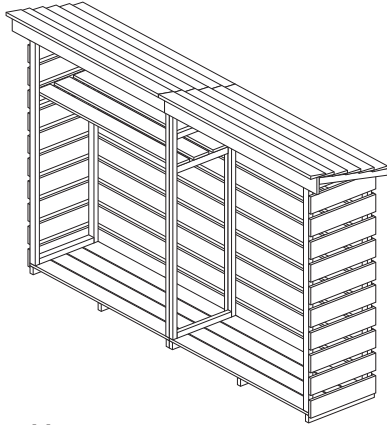


Large Log Store

English SS269D

Assembly Instructions



Before assembly

- We recommend that time is taken to read the instructions before starting assembly, then follow the easy step by step guide. The instruction sheet is only a guide to the assembly. Certain items may not be shown to scale.
- Check all components prior to assembly
- Drill all components where indicated.
- This product should be assembled by no less than two people.
- Never attempt to erect the assembly in high winds.

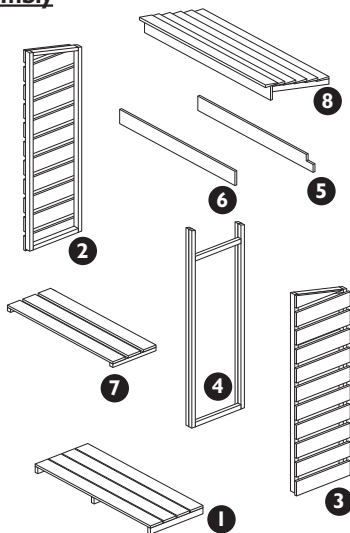


Recommended tools for assembly

- Cross head screw driver
- Drill with 3mm diameter drill bit
- Spirit level

No.	Components	Qty.
1	Floor	2
2	Left side panel	1
3	Right side panel	1
4	Centre panel	1
5	Back slat notched	2
6	Back slat	18
7	Shelf	1
8	Roof	2

No.	Fixing kit	Qty.
9	80mm screws	4
10	63mm screws	4
11	50mm screws	10
12	45mm screws	4
13	40mm nails	86

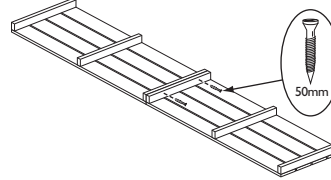


1. Floor assembly

Place the floor panels upside down, secure them together using 2 x 50mm screws. Once secured turn up the right way.



It may be necessary to drill pilot holes for the screws in this section.

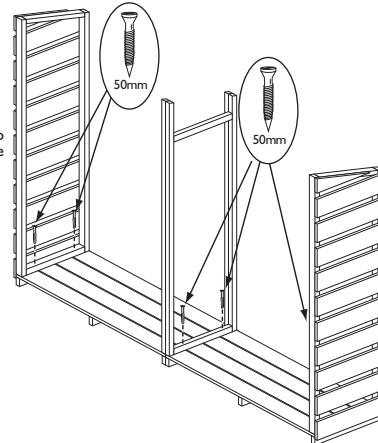


2. Wall panels

Position the left, right and centre panels as shown. Secure each one in place using 2 x 50mm screws per panel. Screw through the bottom frames of the panels in to the floor.



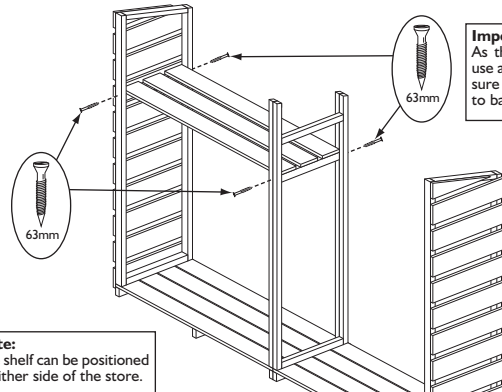
It may be necessary to drill pilot holes for the screws in this section.



Note:
Attach the right side panel in the same way as the left.

3. Shelf and centre support

Position the shelf at the desired height between the side and centre panels. Secure in place using 4 x 63mm screws. Screw through the panel frame in to the ends of the shelf frames as show below.

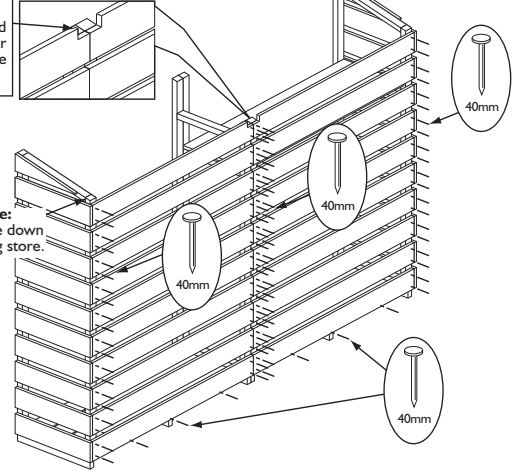


Note:
The shelf can be positioned in either side of the store.

4. Back wall

Secure the back slats to the back of the log store. Ensure the two with notches are at the top. Align each slat with the slats on the side panels and secure in place using 2 x 40mm nails at each end of each slat. Nail the bottom slats to the floor using an additional 3 x 40mm nails per slat.

Important note:
Align the two notched slats with the rear upright of the centre panel.



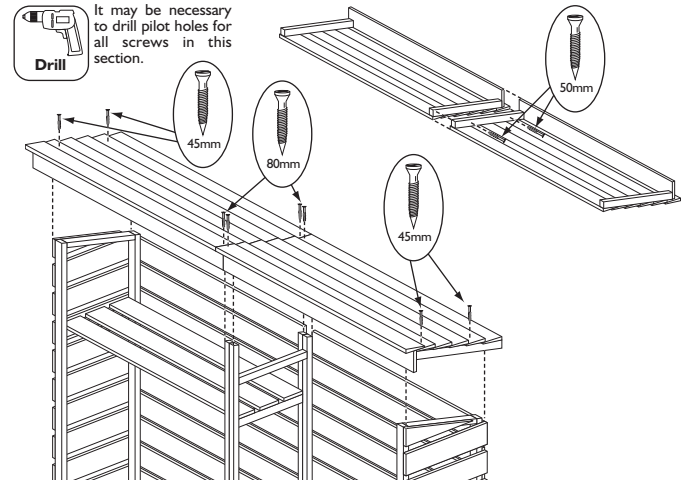
Important note:
The side panels slope down to the back of the log store.

5. Roof

With the roof panels upside down, secure them together using 2 x 50mm screws. Once secured turn up the right way. Place the roof onto the main assembly and attach to each side panel by screwing 2 x 45mm screws down through the roof into the top frames of the side panels. In the middle of the roof, screw 4 x 80mm screws through the roof into the centre panel.



It may be necessary to drill pilot holes for all screws in this section.



We constantly improve the quality of our products, occasionally the components may differ from the components shown and are only correct at time of printing. We reserve the right to change the specification of our products without prior notice.