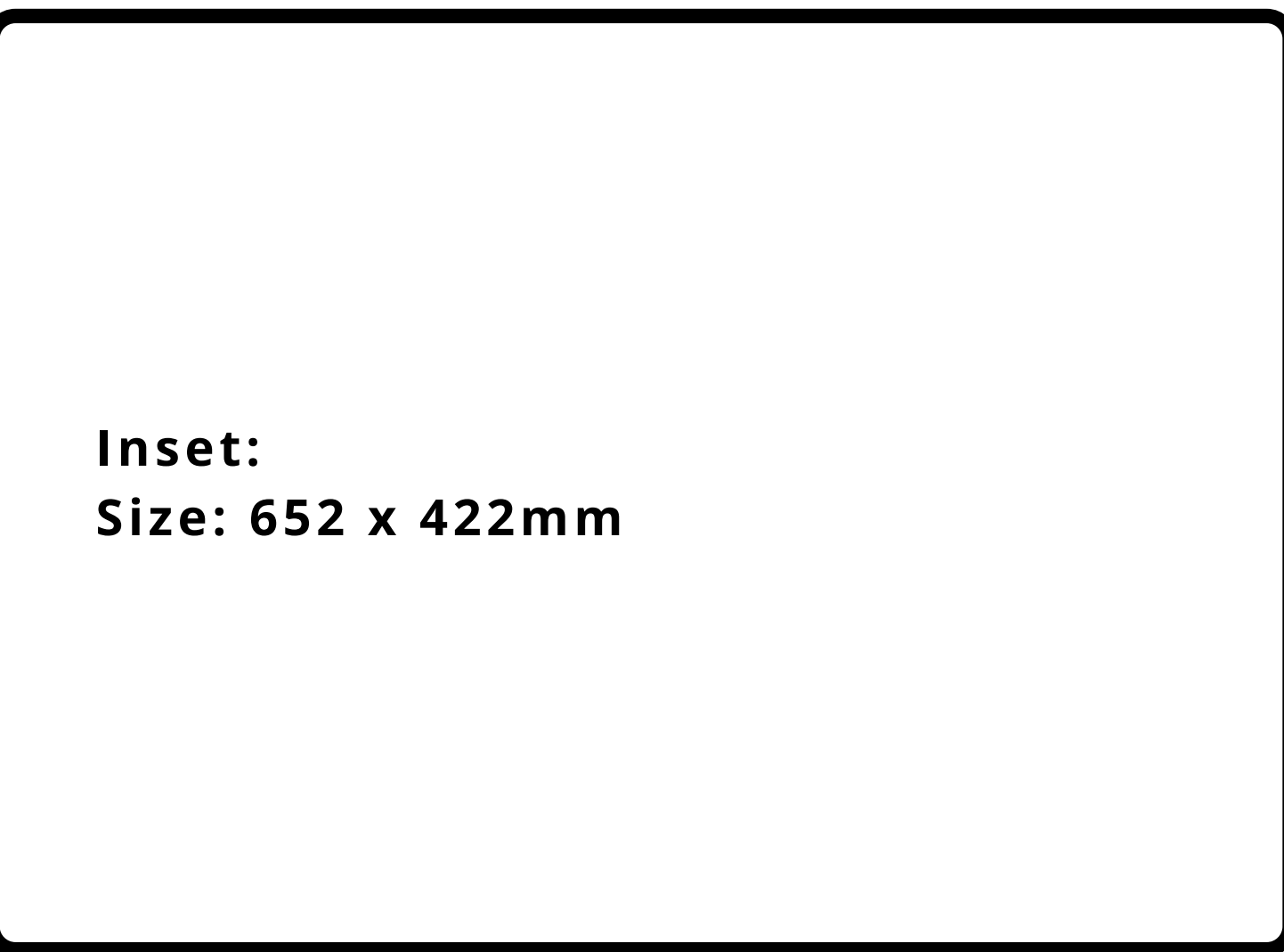
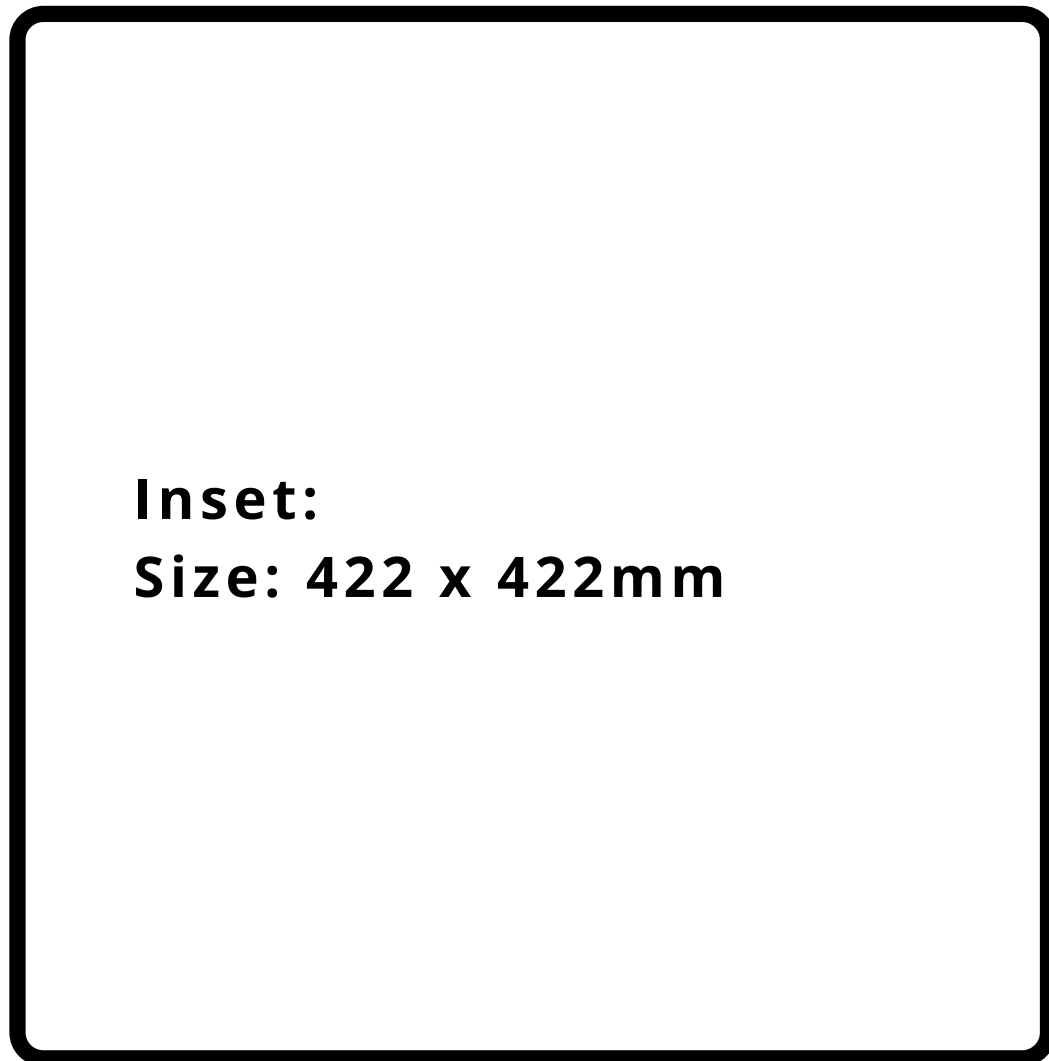
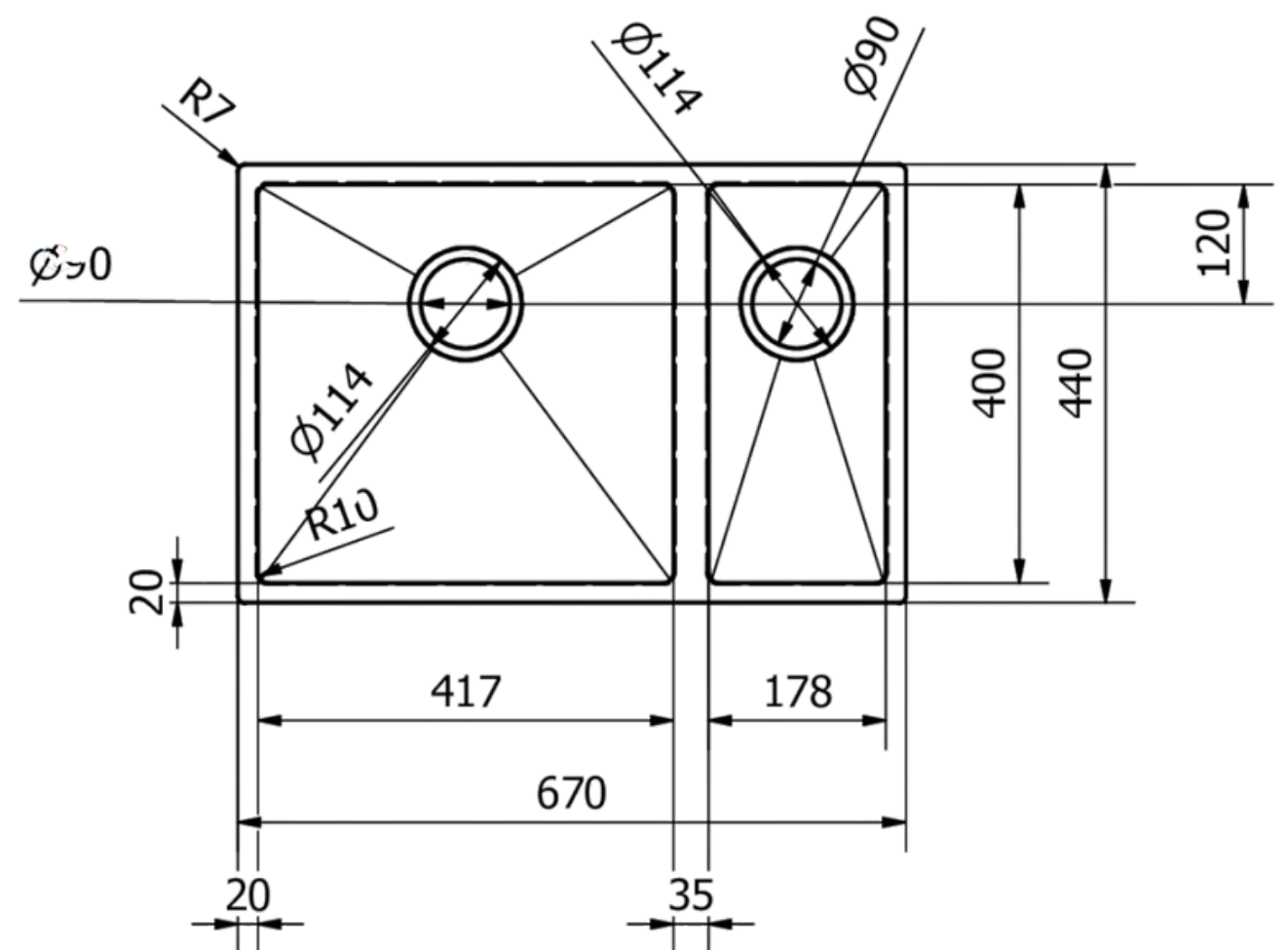
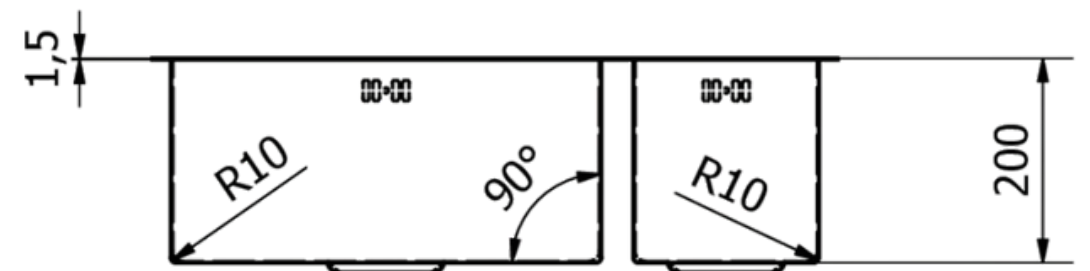
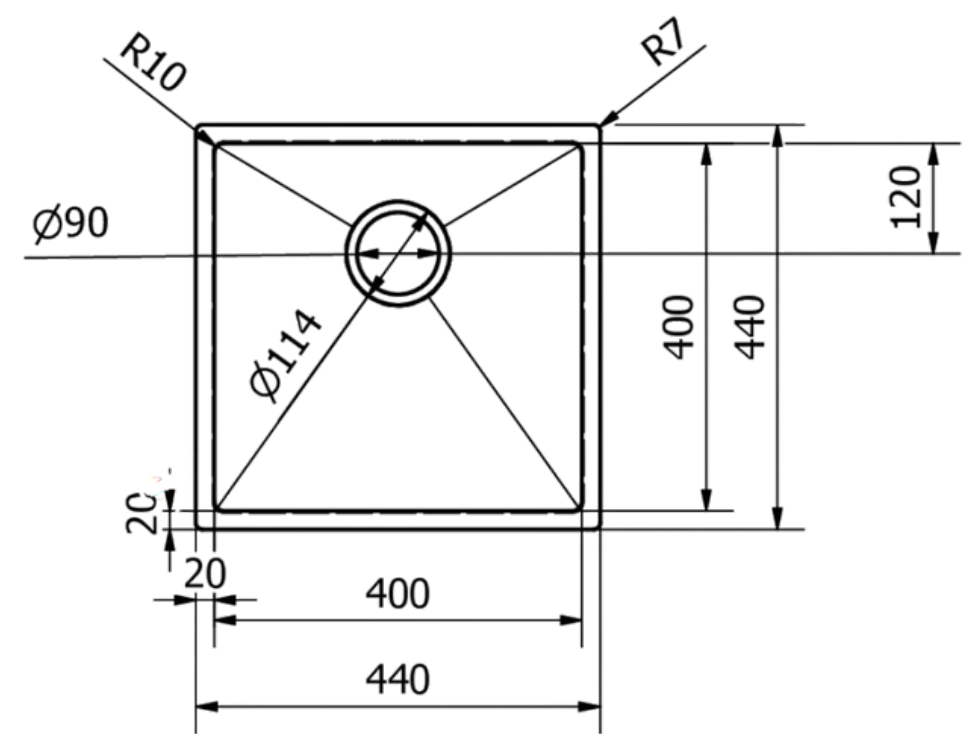
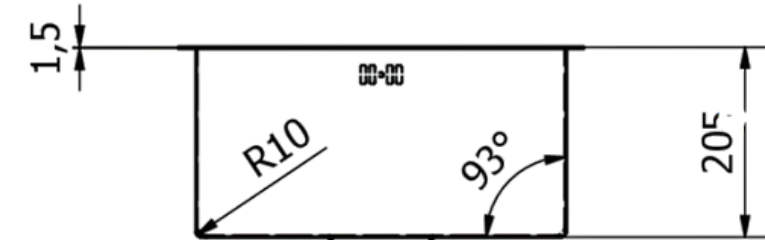


INSET INSTALLATION:



DIMENSIONS:



We recommend professional countertop installers and are not responsible for damage to the countertop or sink during installation