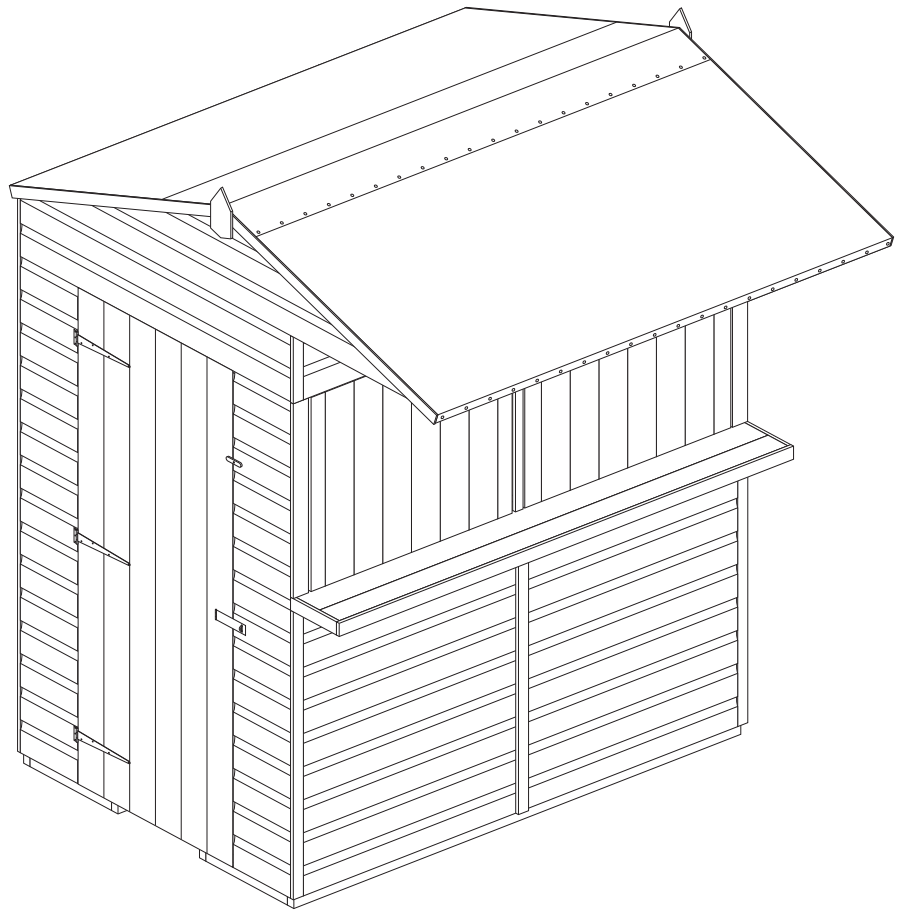


**Before assembly**

- We recommend that time is taken to read the instructions before starting assembly, then follow the easy step by step guide. The instruction sheet is only a guide to the assembly. Certain items may not be shown to scale.
- Check all components prior to assembly
- This product should be assembled by no less than two people
- Drill all components where indicated

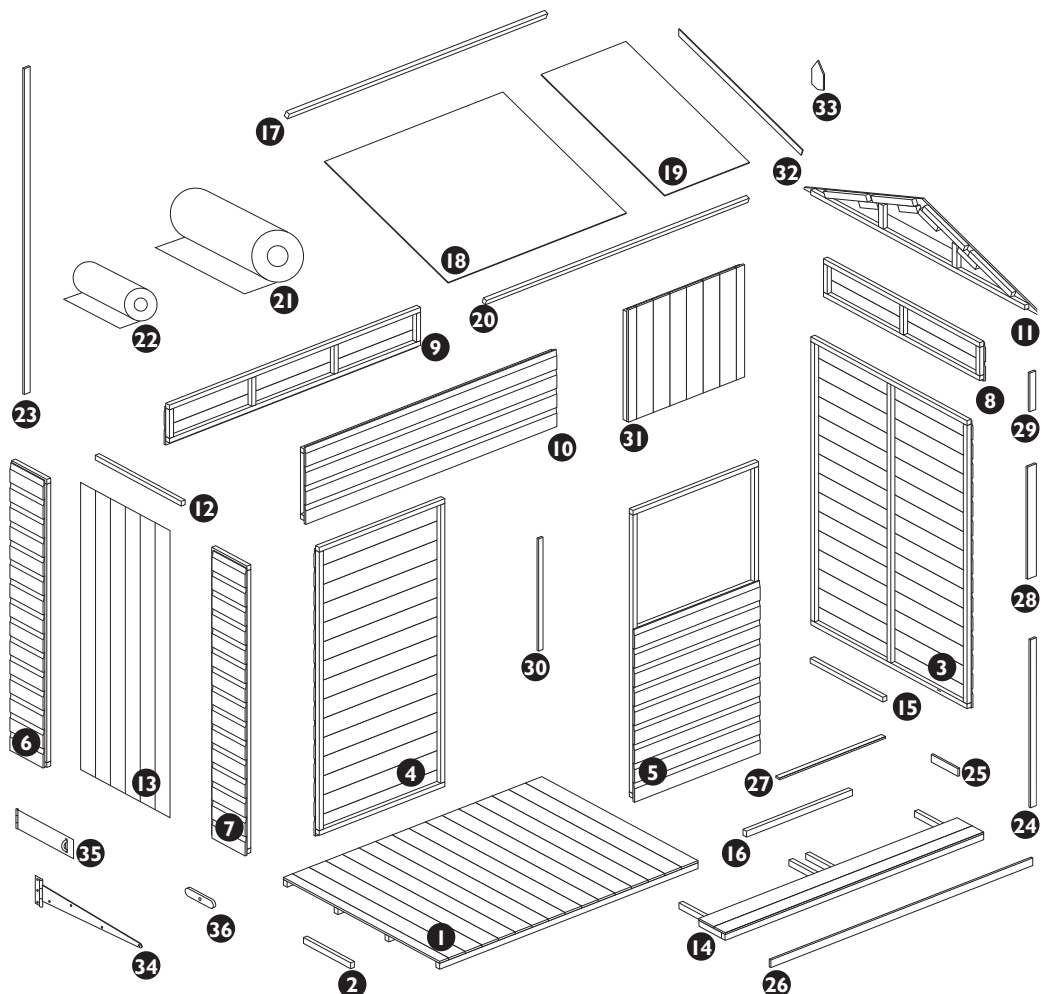

**Recommended tools for assembly**

- Power Drill/Screwdriver
- Crosshead drill bit
- 3mm diameter drill bit
- Hammer
- Sharp knife
- Spirit level
- Step ladder



No.	Components	Qty.
1	Floor	1
2	Door end floor block	2
3	Back wall panel	1
4	Plain wall panel	2
5	Hatch panel	2
6	Left-hand door end wall panel	1
7	Right-hand door end wall panel	1
8	Front/back top wall panel	2
9	Plain side top panel	1
10	Hatch side top panel	1
11	Apex panel	2
12	Door header rail (28x28x646mm)	1
13	Door	1
14	Bar shelf	2
15	Shelf support rail (28x28x546mm)	1
16	Bar shelf infill frame (28x35x690mm)	2
17	Roof Purlin (28x35x1770mm)	4
18	Large roof panel	2
19	Small roof panel	2
20	Felt batten (28x35x1794mm)	2
21	Roof felt (4m)	1
22	Roof ridge felt	1
23	Plain side coverstrip (12x40x1940mm)	3
24	Hatch side lower c/strip(12x40x1000mm)	3
25	Bar shelf end coverstrip (12x48x200mm)	2
26	Bar front edge coverstrip(12x48x1795mm)	1
27	Bar shelf centre coverstrip (12x30x805mm)	2
28	Hatch side mid c/strip(12x60x668mm)	2
29	Hatch side upper c/strip (12x40x230mm)	2
30	Hatch centre coverstrip (12x30x668mm)	1
31	Hatch cover	2
32	Bargeboard	4
33	Finial	2

No.	Fixing Kit	Qty.
34	T-hinge	3
35	Hasp & staple	1
36	Turn button	9
37	60mm screws	20
38	50mm screws	80
39	32mm screws	34
40	25mm screws	30
41	19mm round head screws	7
42	30mm nails	83
43	10mm Felt nails	104

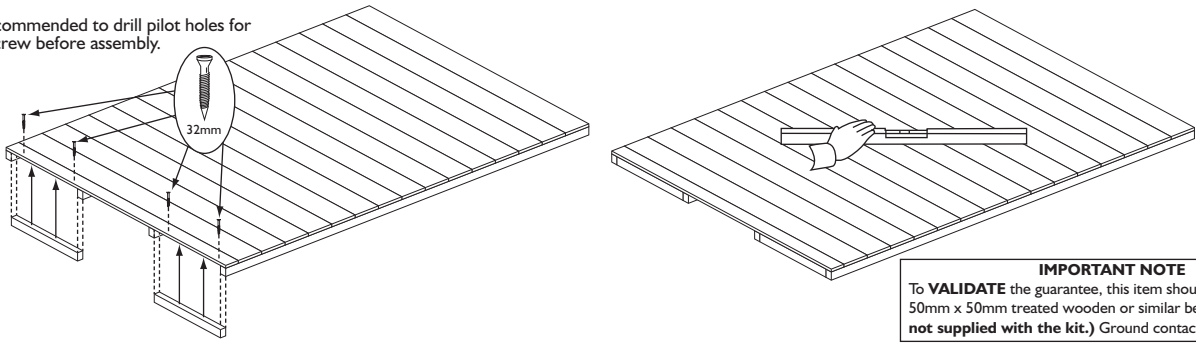


## 1. Floor

Position the door end floor blocks flush to the edge of the floor between the floor frames. Secure each block in place using 2 x 32mm screws. Screwing through the floor board into the block. Prepare a level area for the building sit. Place the floor in position and ensure level.



It is recommended to drill pilot holes for each screw before assembly.



### IMPORTANT NOTE

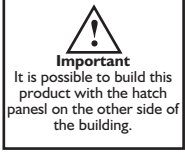
To **VALIDATE** the guarantee, this item should be erected on 50mm x 50mm treated wooden or similar bearers (**These are not supplied with the kit.**) Ground contact must be avoided.

## 2. Wall panels

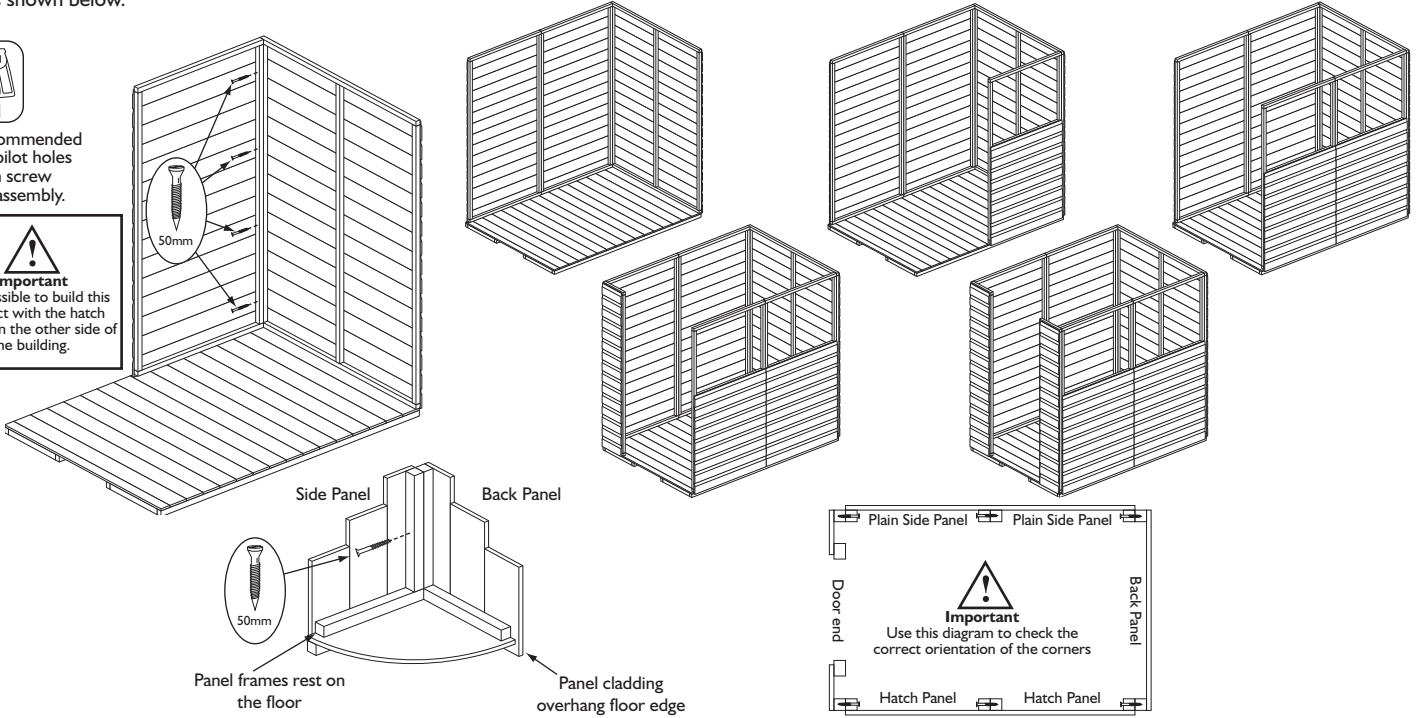
Position a plain side panel and the back panel on the floor as shown. Note how the panel frames sit on the floor with the panel cladding overhanging the floor edge. Ensure square and secure using 4 x 50mm screws. Screw through the frame of the side panel into the frame of the back panel. Continue to add the remaining panels in the same way, as shown below.



It is recommended to drill pilot holes for each screw before assembly.



**Important**  
It is possible to build this product with the hatch panels on the other side of the building.

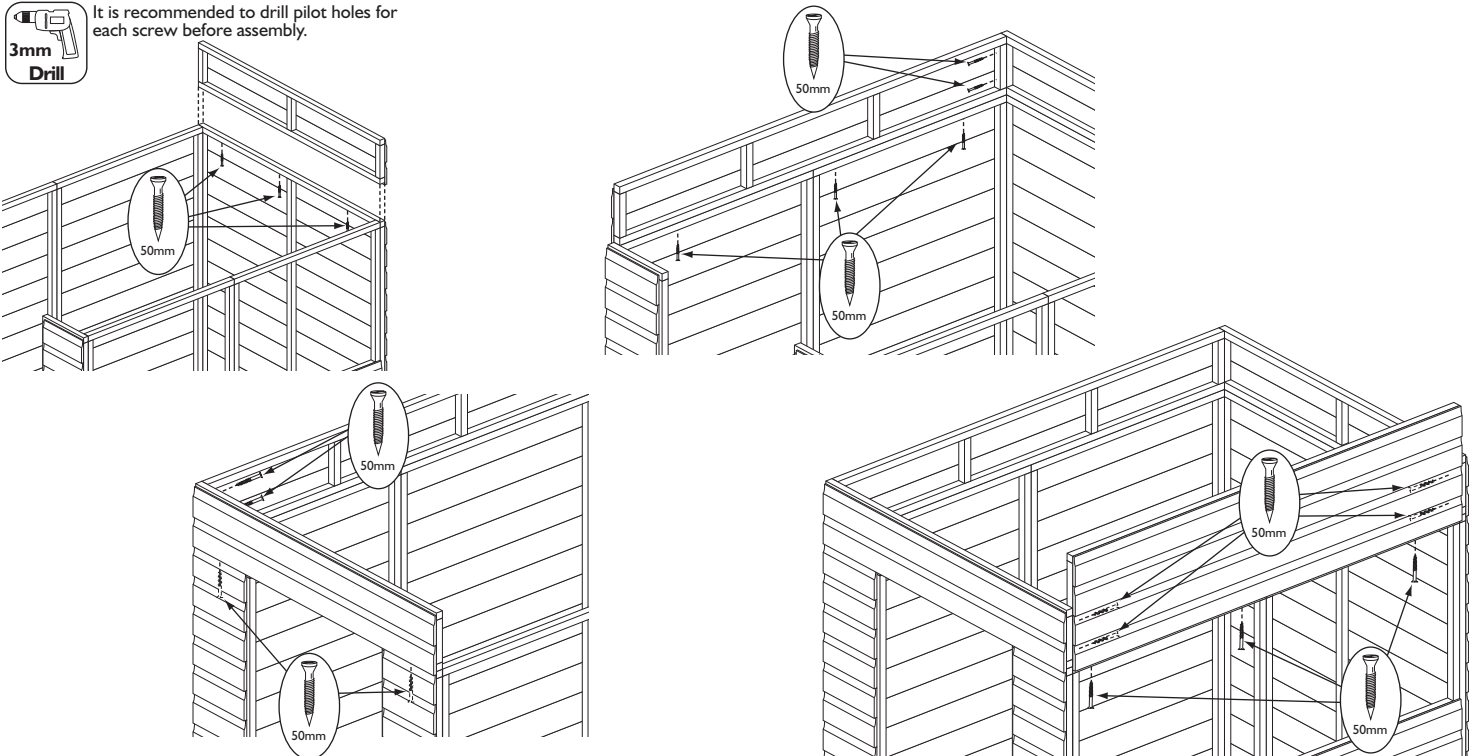


## 3. Top panels

Position a back wall top panel on top of the back wall and secure using 3 x 50mm screws. Screw up through the top frame of the back panel into the bottom frame of the top panel. Attach a top a wall panel to the door end in the same way using 2 x 50mm screws. Add the plain side top panel and secure to the wall using 3 x 50mm screws, then add the hatch side top panel using 3 x 50mm screws. In each corner use 2 x 50mm screws to join the four top panels together. Screw through the plain side and hatch side top panels into the door and back wall top panels.

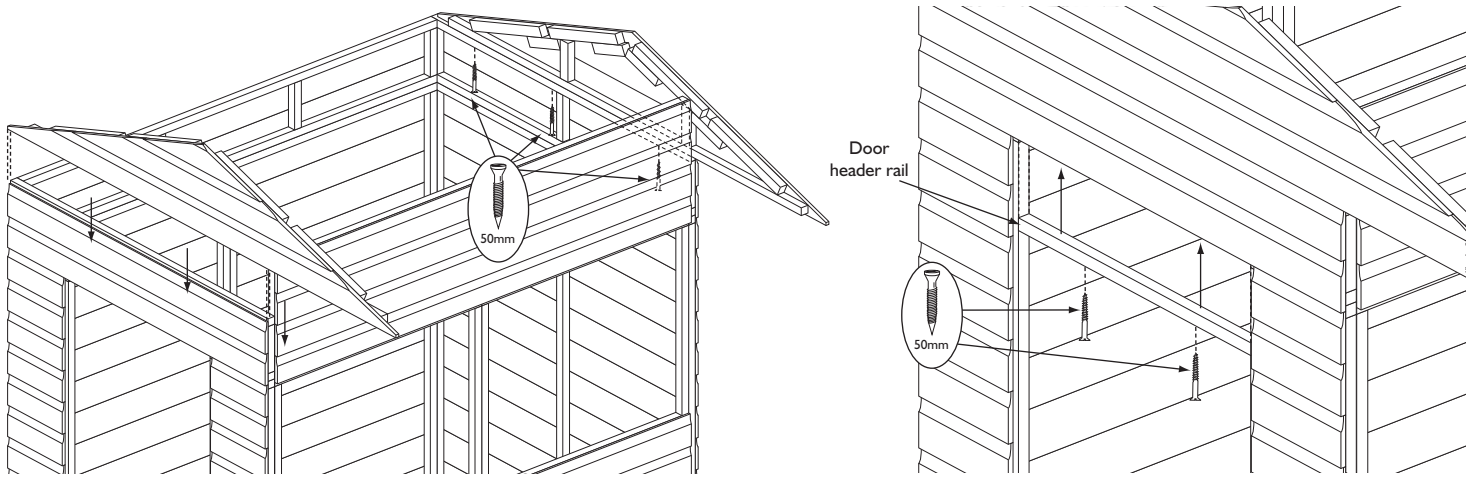


It is recommended to drill pilot holes for each screw before assembly.



#### 4. Apex panels

Place an apex panel on top of the back panel and secure using 3 x 50mm screws. Screw up through the top frame of the back panel into the bottom frame of the apex panel. Attached the front apex in the same way. Fix the door header rail flush to the bottom of the frame of the door end top panel using 2 x 50mm screws.

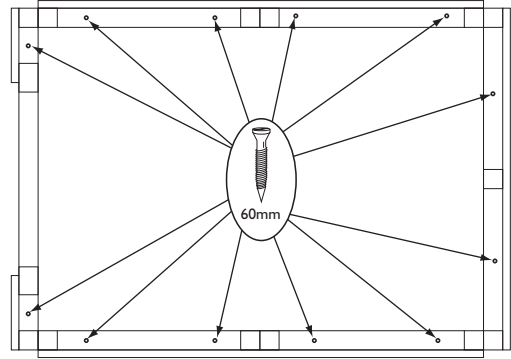
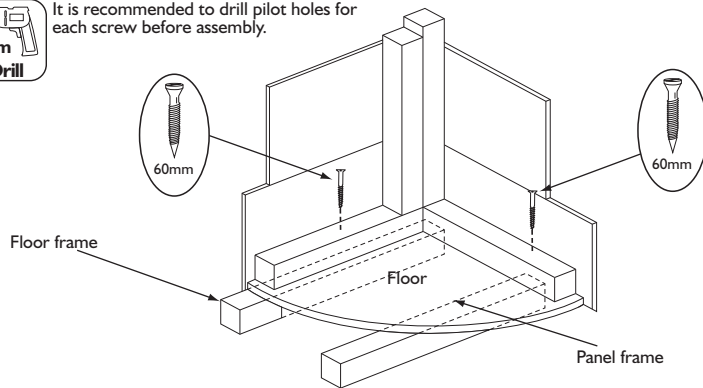


#### 5. Securing wall panels to the floor

Ensure the panels are sitting square on the floor. Secure using 12 x 60mm screws. Screw through the panel frames and floorboards into the floor frames.



It is recommended to drill pilot holes for each screw before assembly.

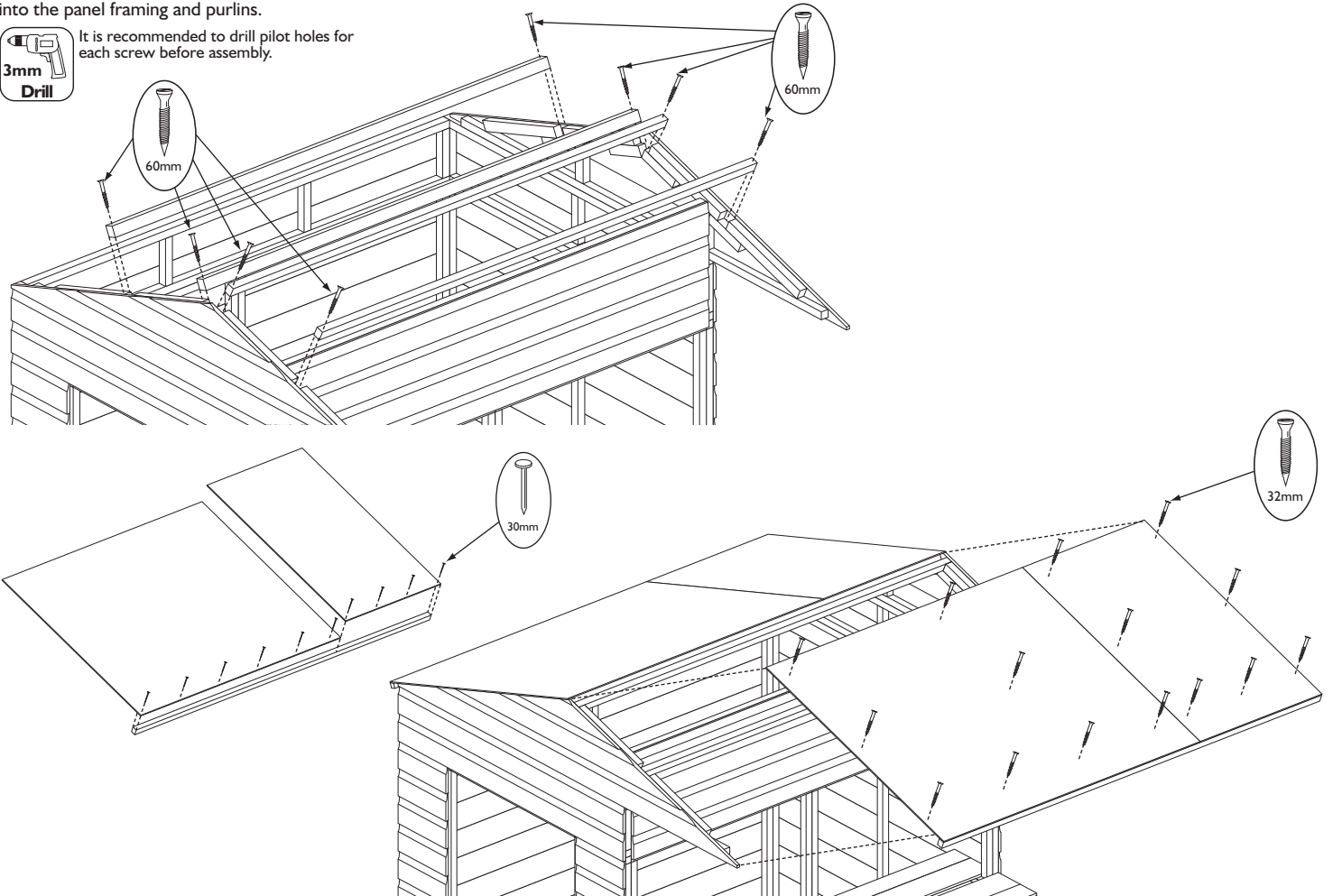


#### 6. Roof

Insert the roof purlins into the rebates in the apex panel frames. Secure in place using 1 x 60mm screw at each end of each purlin. Secure to each felt batten one large roof panel and one small roof panel using 10 x 30mm nails as shown. Ensure the felt batten is flush to the edges of the panels. Position the roof panels onto the assembly, make sure the top edges are located at the apex and the roof is flush with the front and back apex. Secure with 15 x 32mm screws per roof section, screw through the roof and into the panel framing and purlins.



It is recommended to drill pilot holes for each screw before assembly.

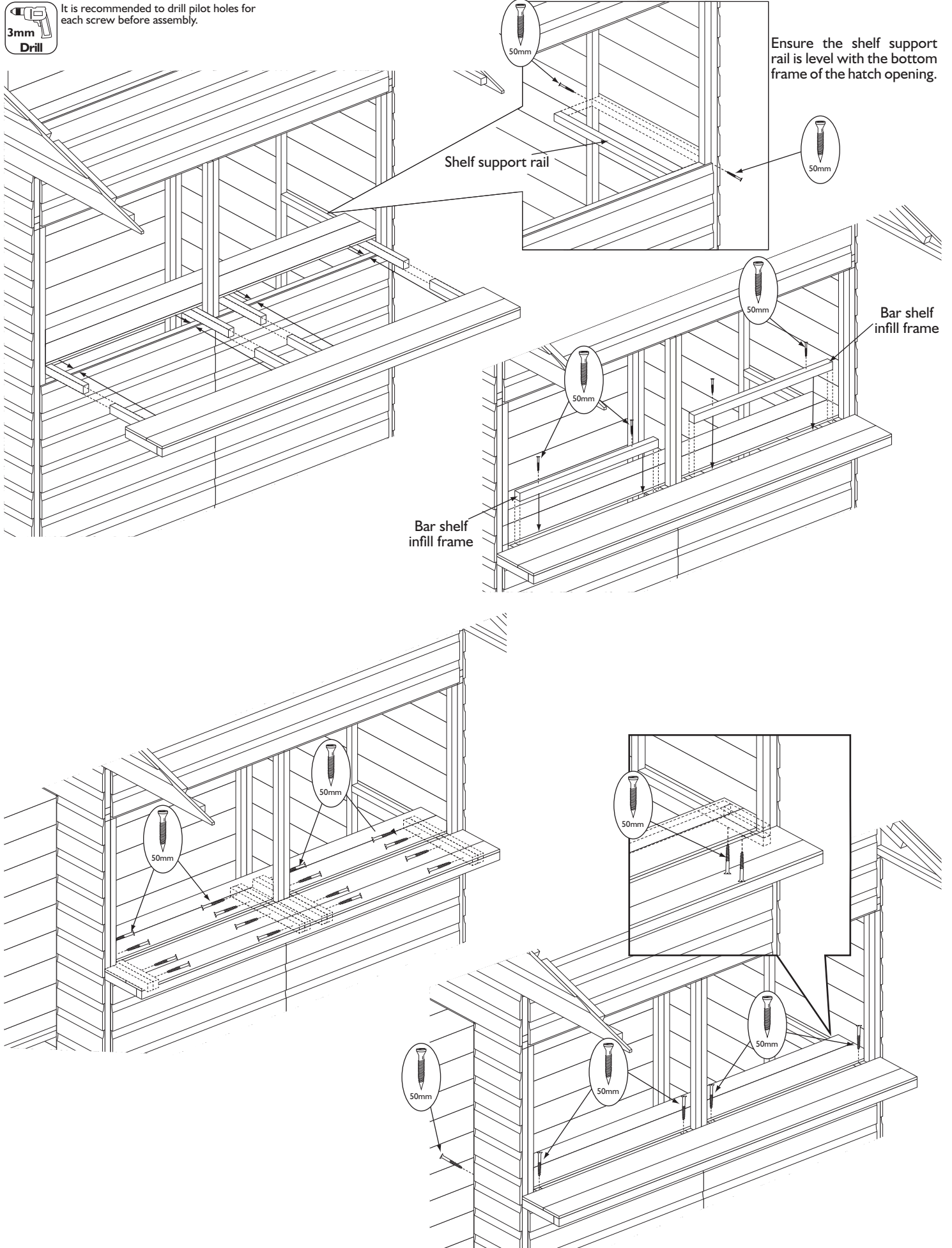


## 7. Bar shelves

Fit the shelf support rail to the back wall, ensure it is level with the bottom frame of the hatch opening. Secure in place using 1 x 50mm screw at each end, screw through the fram of the back panel into the ends of the rail. With one bar shelf on the inside of the building and the other on the outside, interlock the two halves through the hatch panel openings. Ensure both shelves butt up to the panel frame. Push the bar shelf infill frame into the gaps between the shelves and secure each one in place using 2 x 50mm screws. On the underside of the bar shelf screw the shelf frames together using 4 x 50mm screws per frame. Secure the shelves down using 4 x 50mm screws, screw down through the shelf frames into the frame of the hatch panels. Ensure the shelves are level and screw 1 x 50mm screw through the frame of the door panel into the end of the inside shelf. On the back wall screw up through the shelf support rail into the shelf frame using 2 x 50mm screws.



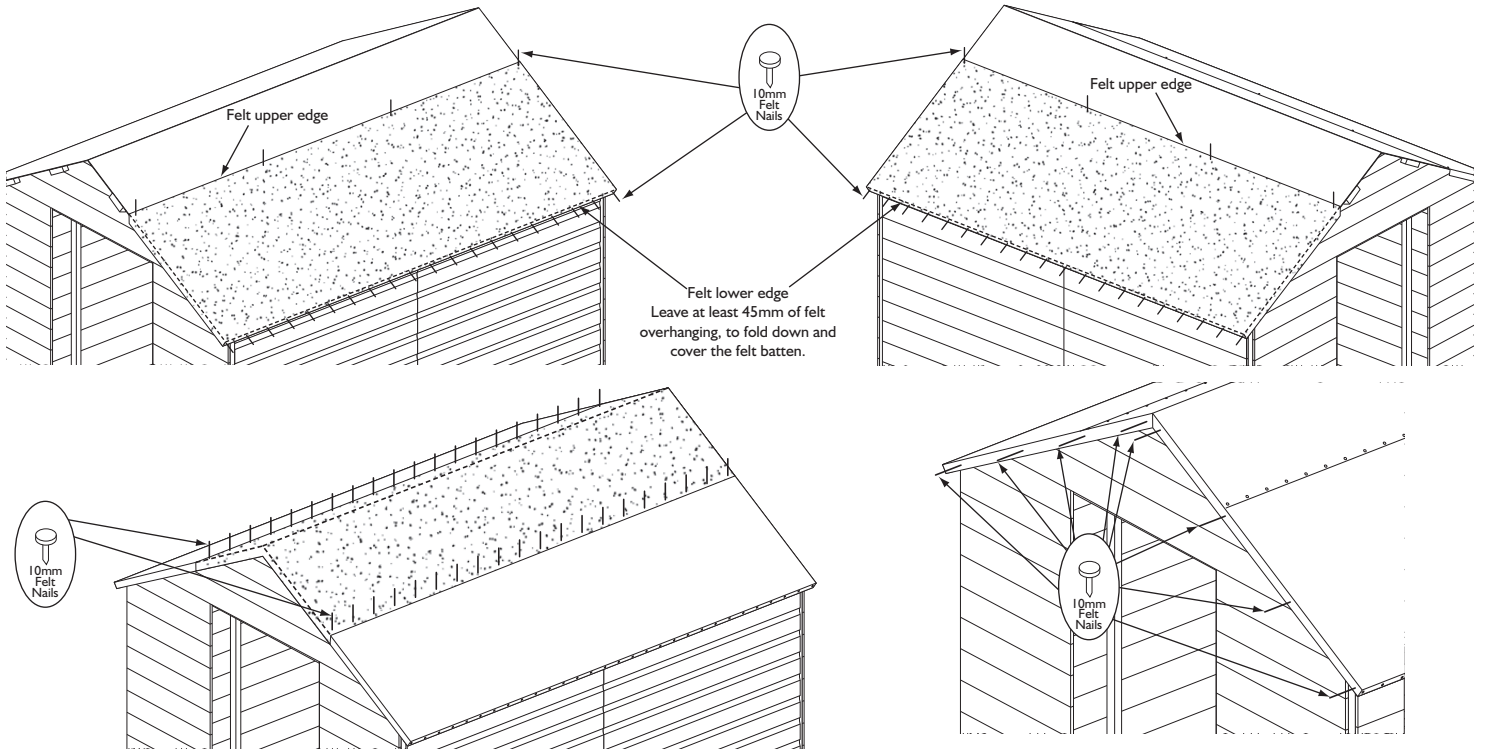
It is recommended to drill pilot holes for each screw before assembly.





## 8. Roof Felt

Cut the 4m roofing felt roll into two equal lengths. Place one length over one roof section. At the front and along the lower edge of the roof leave an overhang of felt of at least 45mm. Fold down the felt along the lower edge and secure to the felt batten using 20 x 10mm felt nails evenly spaced. Tension the felt over the roof and secure along the upper edge using 4 x 10mm felt nails. Repeat this for the second piece of felt on the other half of the roof. Once the two pieces of felt are in place take the ridge felt roll and place over the apex of the roof making sure it sits centrally over the roof ridge and overlaps the other two felt pieces, attach using 20 x 10mm felt nails evenly spaced, along each lower edge of the third felt. Dress down the ends of all felt pieces and attach to the Batten blocks at the front with 8 x 10mm felt nails. At the back secure to the apex panel using 6 x 10mm felt nails in the same way. When all the felt is in position trim of any excess.

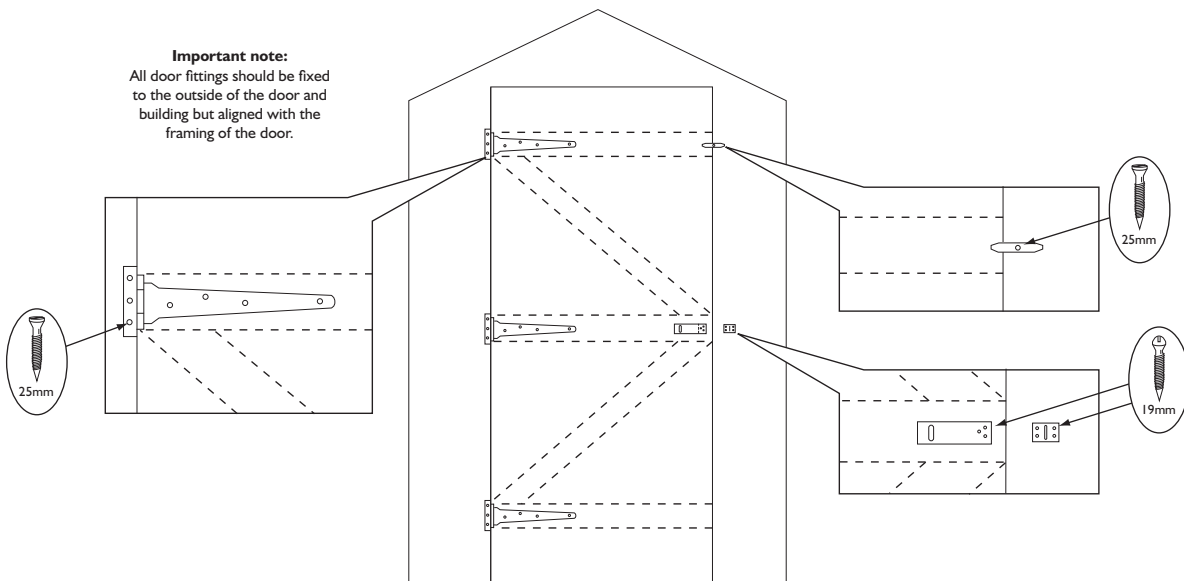


## 9. Door

Place the door in the door opening. To the outside of the door, fix the three T-hinges to the door with 4 x 25mm screws per hinge. Secure the hinges to the door frame using 3 x 25mm screws per hinge. Fit the turn button to the door right door panel using 1 x 25mm screw and then fit the hasp and staple with 7 x 19mm round head screws.

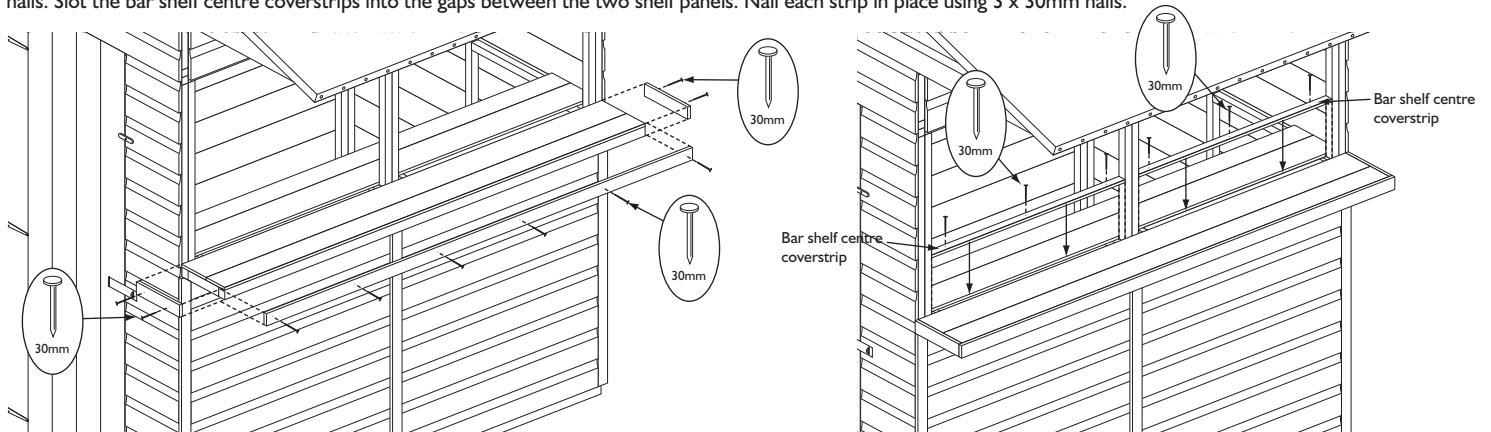
### Important note:

All door fittings should be fixed to the outside of the door and building but aligned with the framing of the door.



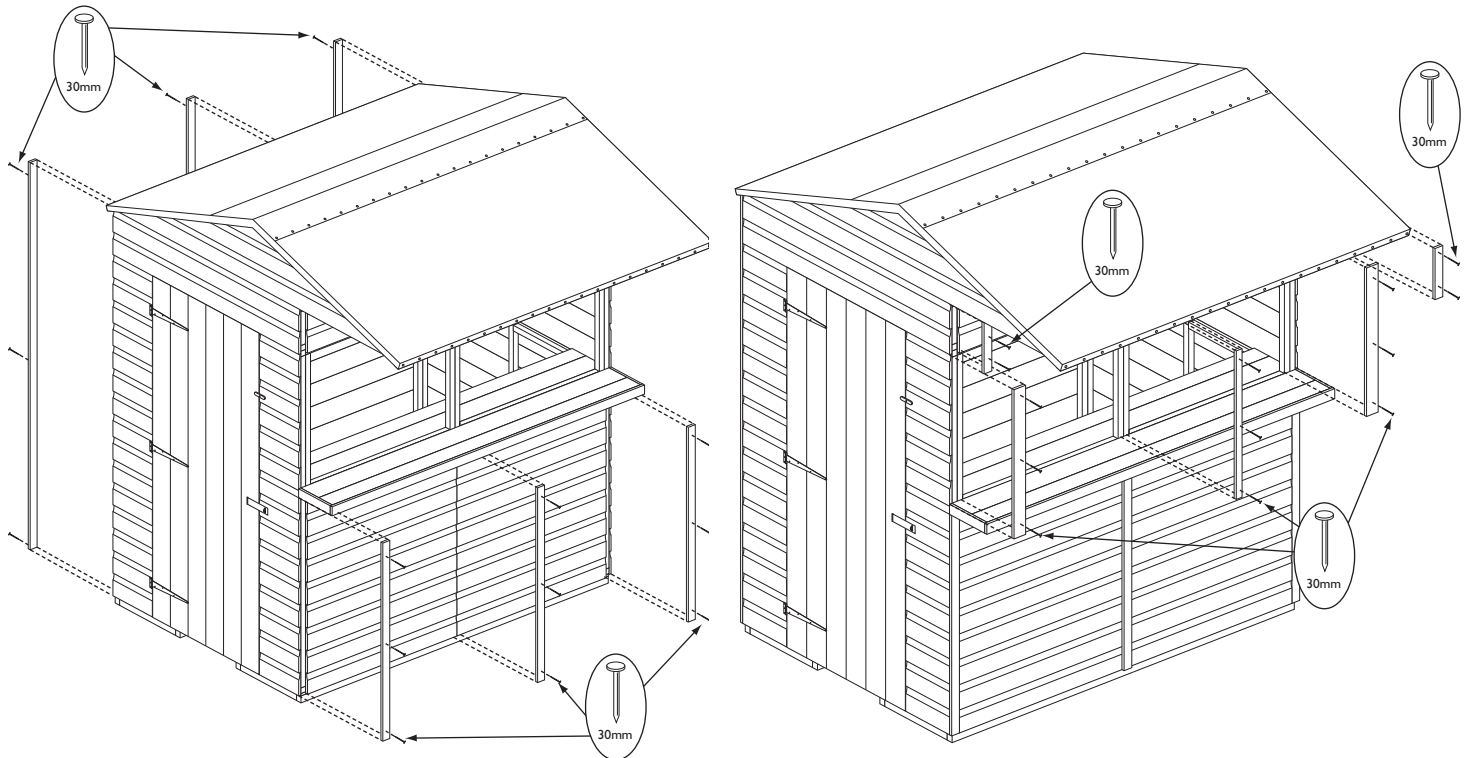
## 10. Bar shelf coverslips

On each end of the bar shelf, align a bar shelf end coverstrip and attach each one using 2 x 30mm nails. To the front edge attach the bar front edge coverstrip using 6 x 30mm nails. Slot the bar shelf centre coverstrips into the gaps between the two shelf panels. Nail each strip in place using 3 x 30mm nails.



## 11. Coverstrips

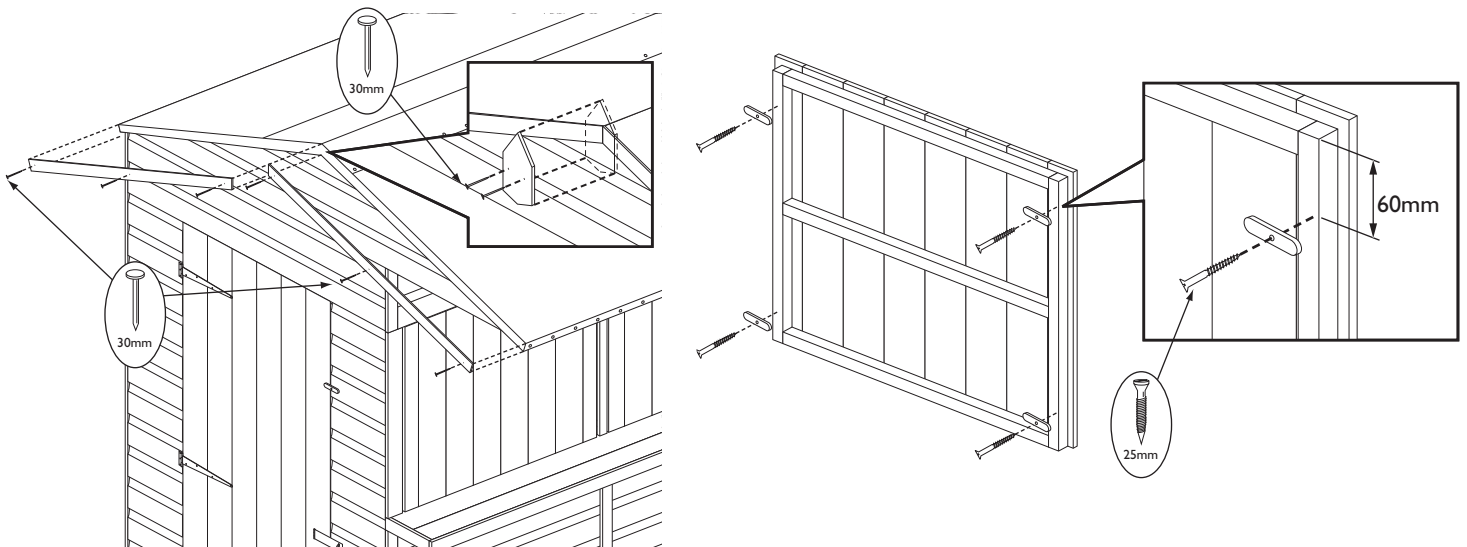
In to each corner of the plain wall side fit a plain wall coverstrip. Attach each one using 3 x 30mm nails. Position the third plain wall coverstrip centrally over the join of the two plain panels and secure in place with 3 x 30mm nails. To the hatch side of the building under the bar shelf, fit the hatch side lower coverstrips using 3 x 30mm nails per coverstrip. One in each corner of the building and the third over the join of the two hatch panels. Above the shelf fit a hatch side mid coverstrip to the panel framing in the corners using 3 x 30mm nails per coverstrip. Above the mid coverstrips secure a hatch panel upper coverstrip using 2 x 30mm nails. Fit the hatch centre coverstrip over the join of the two hatch panels using 3 x 30mm nails.



## 12. Bargeboards, finials & hatch covers

Attach bargeboards at the front so that the top edge is flush with the roof line and the two boards meet evenly in the middle, secure using 3 x 30mm nails per board. Position a finial centrally over the join of the two bargeboards and fix in place using 2 x 30mm nails. Attach the Bargeboards and finials to the back of the building in the same way.

Fit four turn buttons to vertical frames of the hatch covers using 1 x 25mm screw per turn button. Position them approximately 60mm from the top and bottom of the frames. Once the turn buttons are fitted, the hatch covers can be positioned in the hatch panel openings and secured by turning the turn buttons horizontally.



## Important information - retain for future reference

Shiplap buildings come ready stained but this is only a preparatory treatment. To **VALIDATE** the guarantee, the building must be properly treated with a recognised external wood preserver **WITHIN 3 MONTHS** of assembly and **RE-TREATED ANNUALLY** thereafter. The building must also be erected on 50mm x 50mm treated wooden or similar bearers (These are not supplied with the kit.) Ground contact must be avoided.

Timber Information.

As timber is a natural material, there are certain weather conditions that may affect the materials properties. In times of excessive dry spells the material may lose some of its internal moisture causing a certain degree of shrinkage on a panel and in periods of excessive rain there will be a certain amount of swelling throughout the wooden panels. This process can not be avoided. If you have problems with certain boards shrinking in dry spells try to decrease the amount of direct sunlight on the building or the amount of air passing over the building. During hot spells spray water directly onto the panels with the aid of a garden hose.

If in doubt of any aspect regarding the assembly, use or safety of your Garden Bar please contact us:

**Help Line: (Normal Office Hours) 01829 261 121**

**Email: support@rowgar.co.uk**

ROWLINSON GARDEN PRODUCTS LIMITED  
Green Lane  
Wardle Nr. Nantwich  
Cheshire  
CW5 6BN  
[www.rowgar.co.uk](http://www.rowgar.co.uk)

We constantly improve the quality of our products, occasionally the components may differ from the components shown and are only correct at time of printing. We reserve the right to change the specification of our products without prior notice.

**2019 © Rowlinson Garden Products Ltd**