

Before assembly

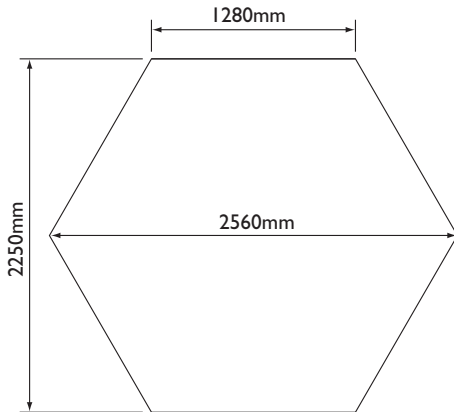
- We recommend that time is taken to read the instructions before starting assembly, then follow the easy step by step guide. The instruction sheet is only a guide to the assembly. Certain items may not be shown to scale.
- Check all components prior to assembly
- This product should be assembled by no less than 2 people.
- Never attempt to erect the assembly in high winds.
- Drill components where indicated.



Recommended tools for assembly

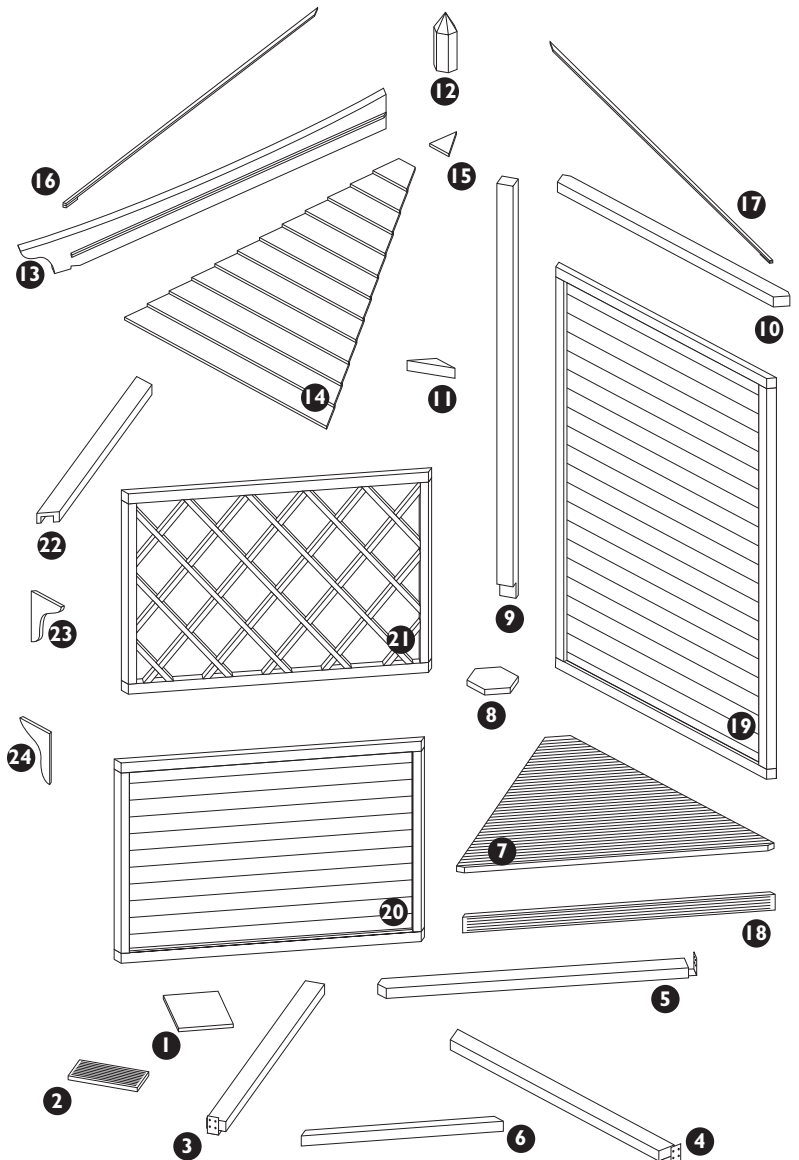
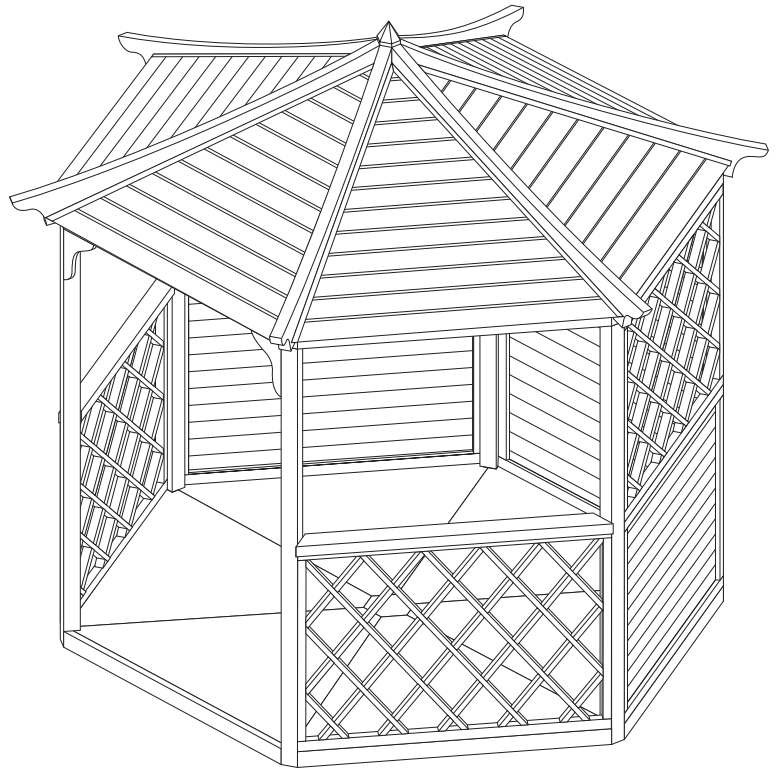
- Cross head screw driver
- Drill with 4mm diameter drill bit
- Spirit level
- Step ladder

Gazebo foot print dimensions



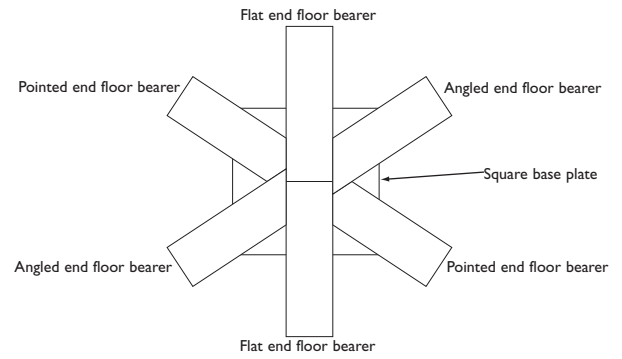
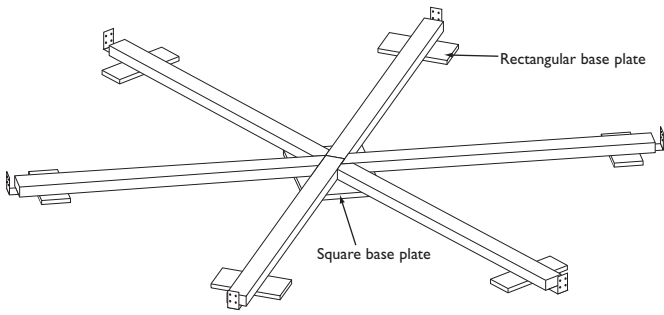
No.	Components	Qty.
1	Square base plate	1
2	Rectangle base plate	6
3	Floor bearer (flat end)	2
4	Floor bearer (angled end)	2
5	Floor bearer (pointed end)	2
6	Floor bearer separators	6
7	Floor panels	6
8	Floor/inner roof centre piece	2
9	Upright post	6
10	Top frame	6
11	Top frame corner supports	6
12	Centre roof block	1
13	Roof rafters	6
14	Roof panels	6
15	Roof triangles	6
16	Left roof coverstrips	6
17	Right roof coverstrips	6
18	Floor edges	6
19	Full solid infill panel	1
20	Solid half infill panels	2
21	Lattice infill panels	4
22	Hand rails	5
23	Left corner finial	1
24	Right corner finial	1

No.	Fixing Kit	Qty.
25	Metal L-brackets	12
26	70mm screws	18
27	60mm screws	106
28	40mm screws	130



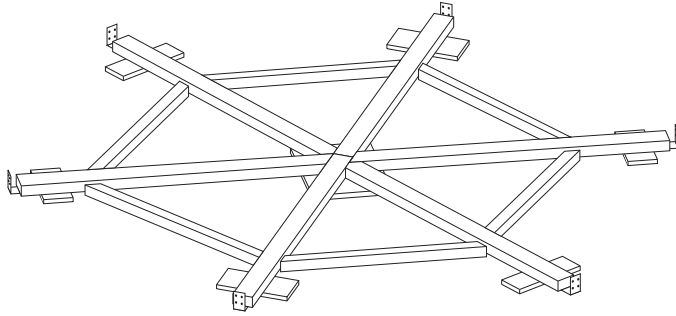
1. Base

Prepare a level area for the gazebo to sit. Position the 6 floor bearers as shown in the diagram. Support the bearers at the centre using the square base plate and at the outer end of each bearer using the rectangular base plates.



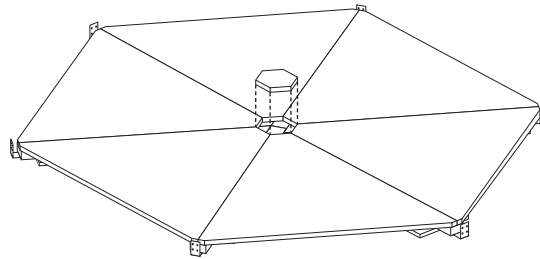
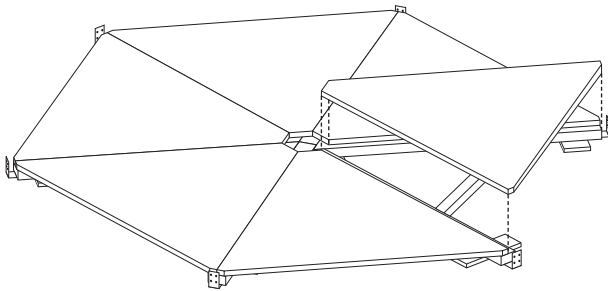
2. Floor bearer separators

Between each floor bearer position a floor bearer separator as shown below.



3. Floor panels

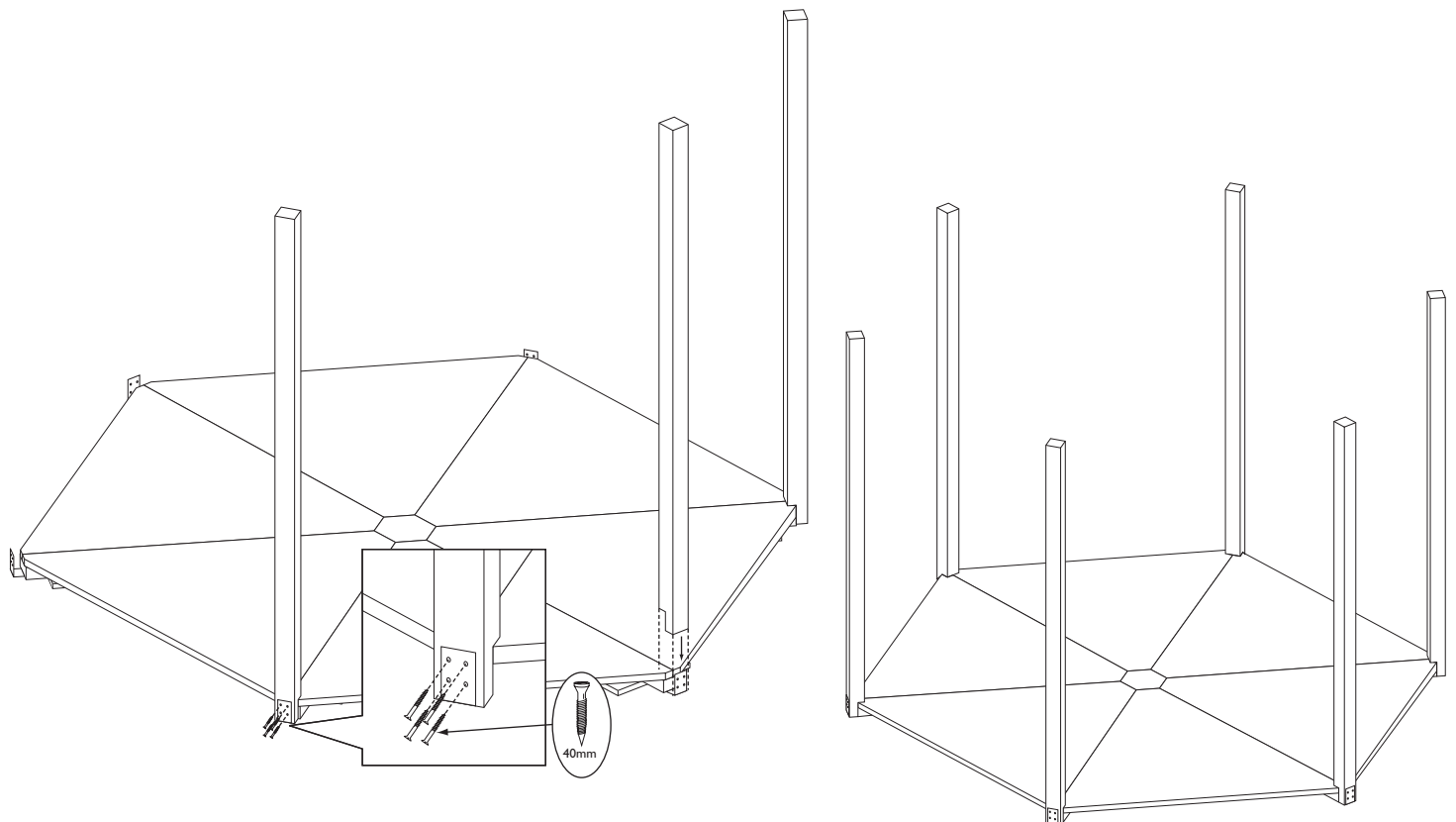
Place onto the floor bearers the floor sections to complete the hexagonal shaped floor. With all the floor panels in place fit the hexagonal floor centre piece in the middle. Do not fix the floor sections into place at this stage.



Note:
So that minor adjustments to the floor bearer position can be made, do not secure the floor down at this stage.

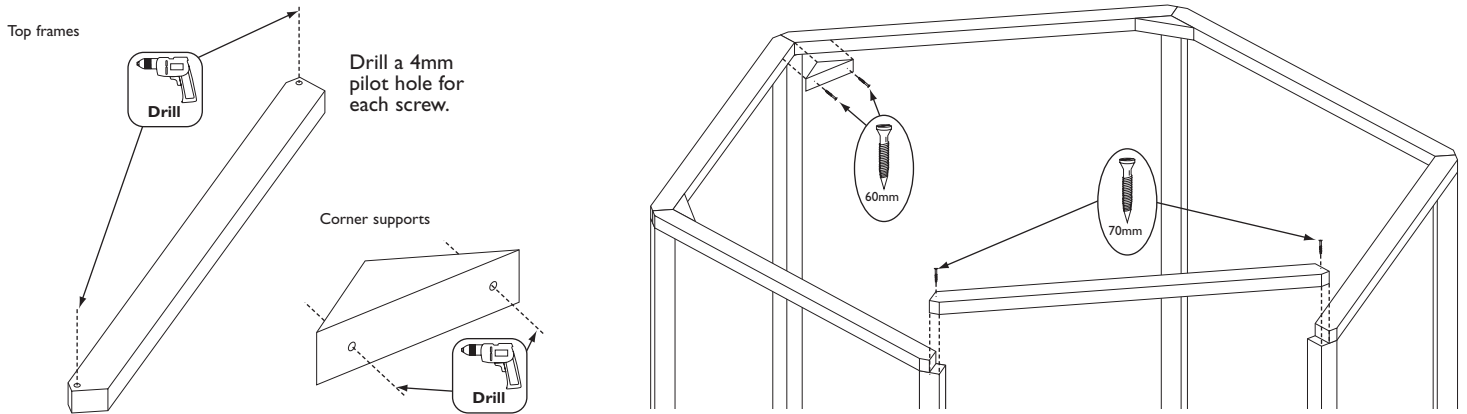
4. Upright posts

At each corner of the floor position the rebated end of an upright post between the pre-attached metal bracket of the floor bearers and the edge of the floor panel. Fix the posts to the brackets using 4 x 40mm screws per post. Screw through the bracket into the post.



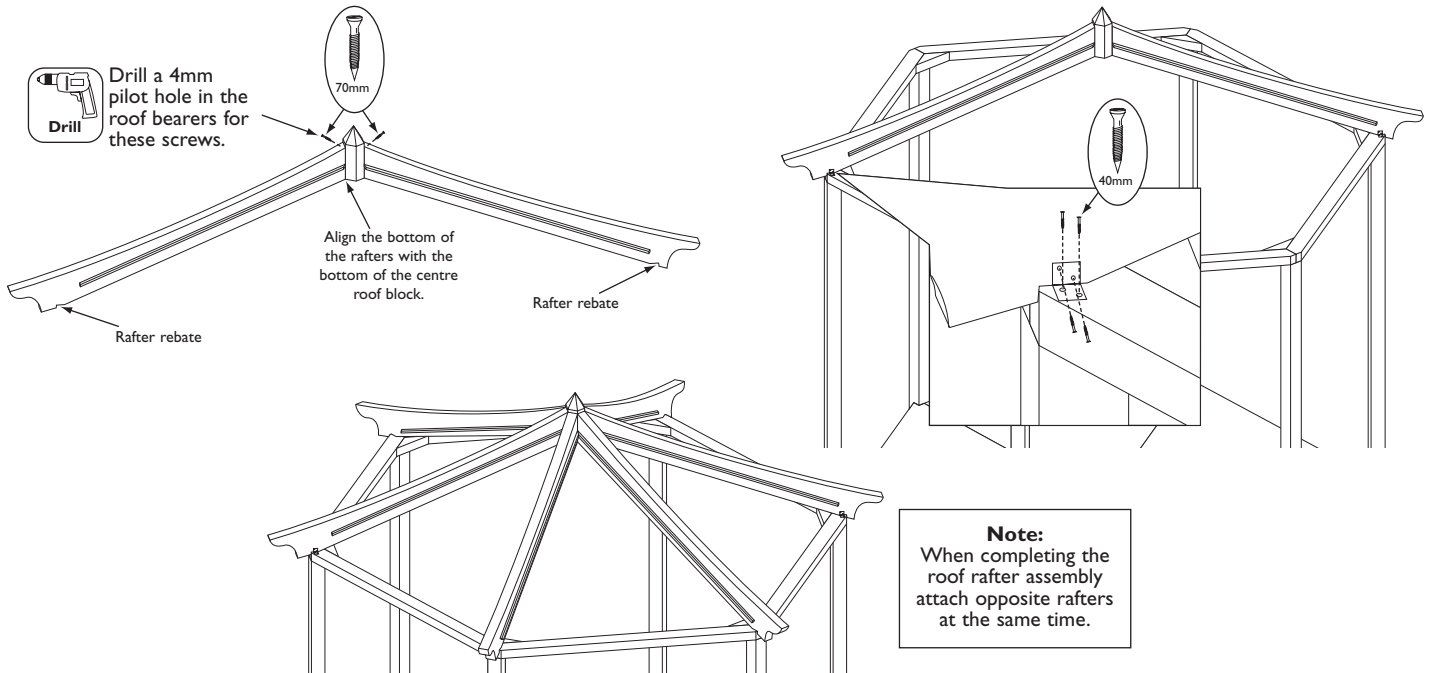
5. Top frames

With all the upright posts secured into position. Drill pilot holes at each end of the top frames as shown in the diagram. Secure the top frames to the ends of the uprights using 2 x 70mm screws. Screw through the drilled holes into the ends of the uprights. Drill 2 holes in each corner support as shown below secure one to the inside of each corner of the top frames, secure through the drilled holes of the support into the top frames using 2 x 60mm screws per support.



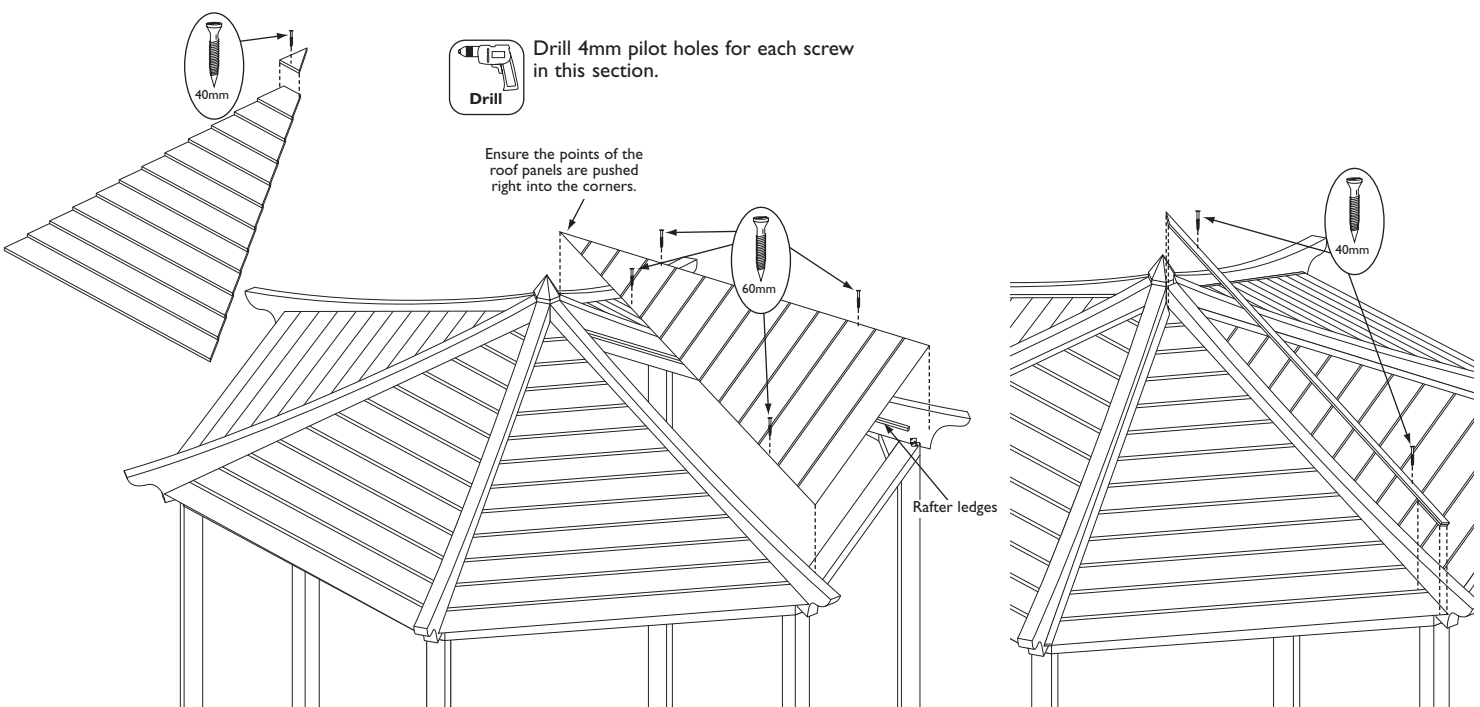
6. Roof

Attached 2 roof rafters to opposite sides of the roof centre block using 1 x 70mm screw per rafter. Lift the 2 rafters and centre block on to the top of the main assembly, ensure that the rafters sit centrally at opposite corners and that the top frames are in the rebate of the rafter. Secure each rafter using 2 metal L-brackets one on each side and 8 x 40mm screws per bracket. With the first 2 rafters in place secure the remaining 4 to the centre block and top frames in the same way.



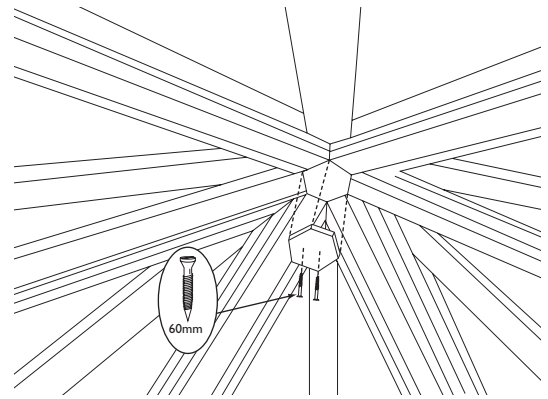
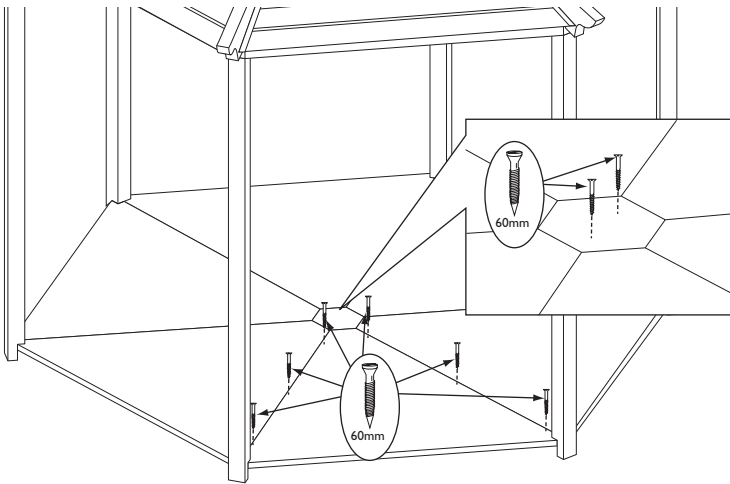
7. Roof panels

Fix a roof triangle to the top of each roof panel as shown using 1 x 40mm screw. Lift on the roof panels so that they sit on the rafter ledges, ensure that the points of the panels are pushed right into the corners. Secure each roof panel using 4 x 60mm screws, screw through the panel into the ledges that the roof panels sit on. Fit a left and right roof coverstrip down the side edges of each roof panel, secure each strip in place using 2 x 40mm, screw through the strip into the roof panel.



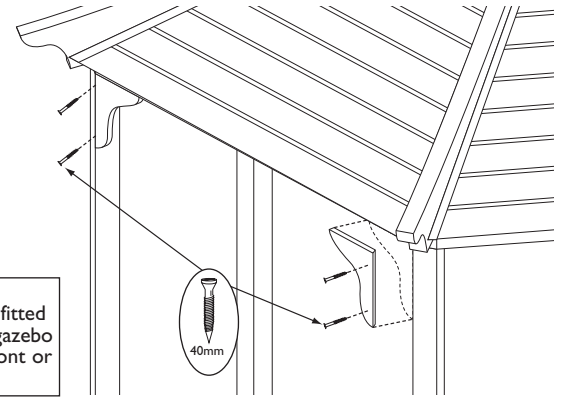
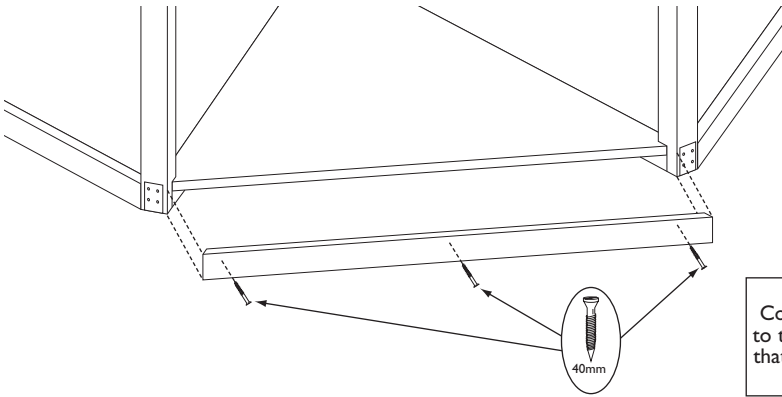
8. Securing the floor and inner roof centre piece

Secure each floor panel down using 6 x 60mm screws as shown, fix the centre piece of the floor using 2 x 60mm screw. Inside the roof of the gazebo secure to the bottom of the roof centre block the hexagonal inner roof centre, ensure it is central to the block and fix in place using 2 x 60mm screws.



9. Floor edges and corner finials

Around the base of the gazebo attach the floor edges between the posts, ensure the top edge is flush with the floor and secure using 3 x 40mm screws per edge, screw through the edge strip into the end of the floor panels. Choose the side which is to be the front or entrance to the gazebo. In the corners between the upright posts and the top frames of the chosen side secure the 2 corner finial using 2 x 40mm screws per finial, screw through the finial into the upright posts.




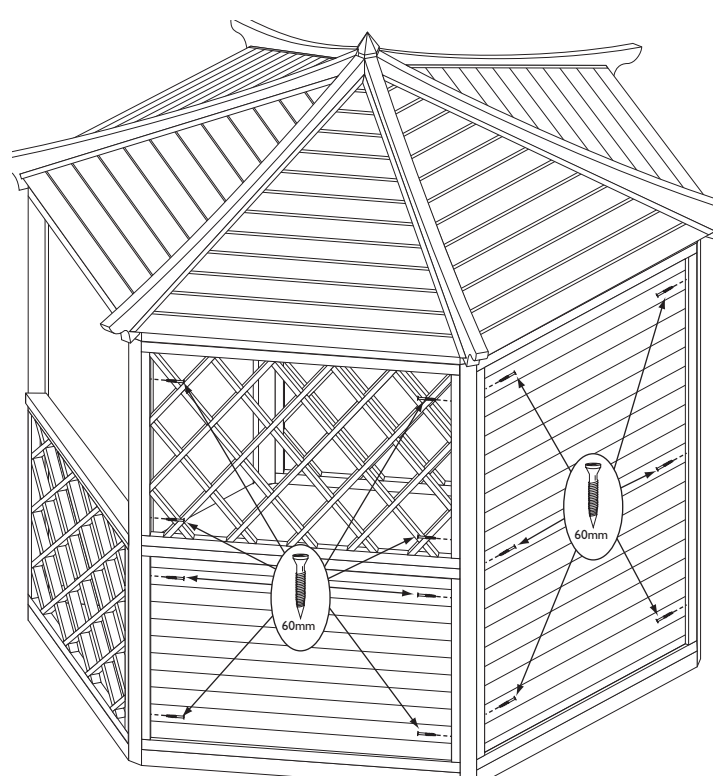
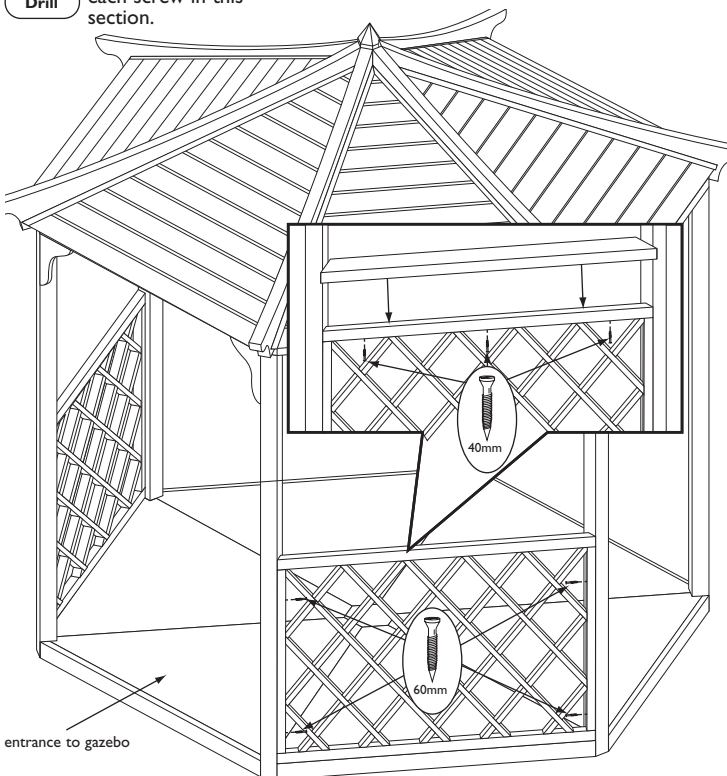
Note:
Corner finials are fitted to the side of the gazebo that is to be the front or entrance.

10. Infill panels

Before starting this section please see the infill panel variations on the last page. This section explains how to attach the panels in the first combination.

On either side of the gazebo entrance position a Lattice infill panel between the post with the bottom resting on the floor. Secure in place using 4 x 60mm screws, screw through the lattice frame into the upright posts. Fix a hand rail to each of these panels, ensure the rebate in the hand rail is fitted over the lattice panel attach using 3 x 40mm screws per rail. Screw up through the lattice frame into the hand rail. Opposite the entrance fit between the upright posts the back infill panel. Secure into place using 6x60mm screws, screw through the framing of the panel into the uprights. For the remaining 2 gaps either side of the back panel fit a solid half infill panel at the bottom and a lattice piece at the top using 4 x 60mm screws per panel, secure through the framing of the panels into the upright legs.

 Drill 4mm pilot holes in the panel frames for each screw in this section.



entrance to gazebo

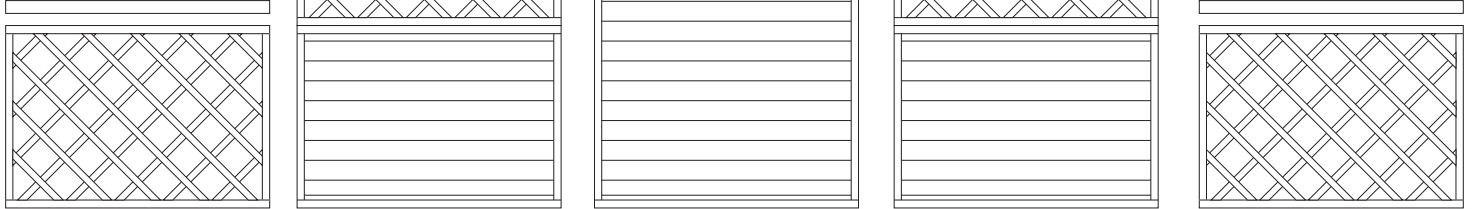
Infill panel variations

Supplied with the Gainsborough Gazebo are infill panels and hand rails that allow different options depending on the look required. Shown below are 3 possible panel combinations. It is important to note that not all infill panels and hand rails will be used and what is left over will depend on the combination chosen. When fixing the panels and hand rails refer to section 10.

Combination 1

Components used:
1 x full solid panel
2 x half solid panel
4 x Lattice panels
2 x Hand rails

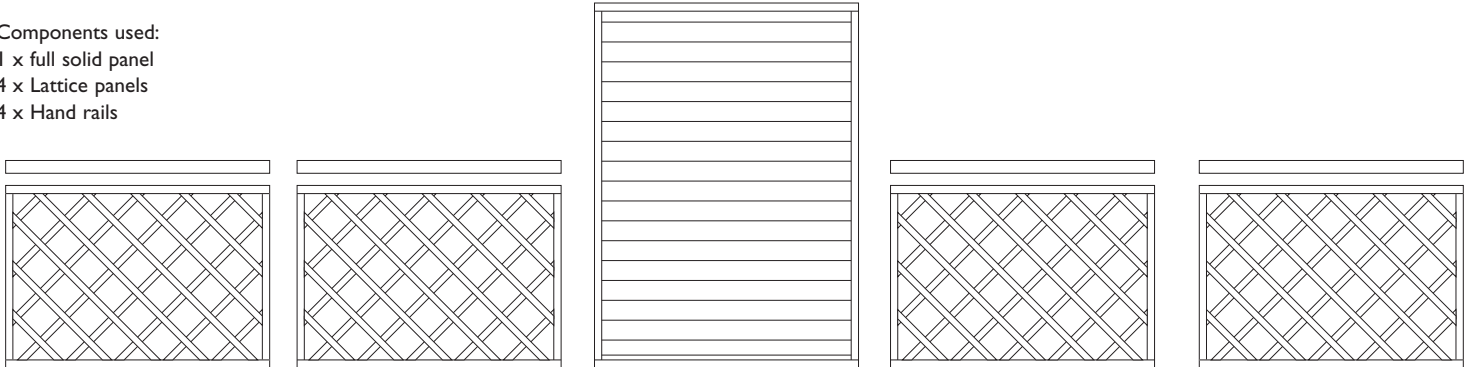
Back Panel



Combination 2

Components used:
1 x full solid panel
4 x Lattice panels
4 x Hand rails

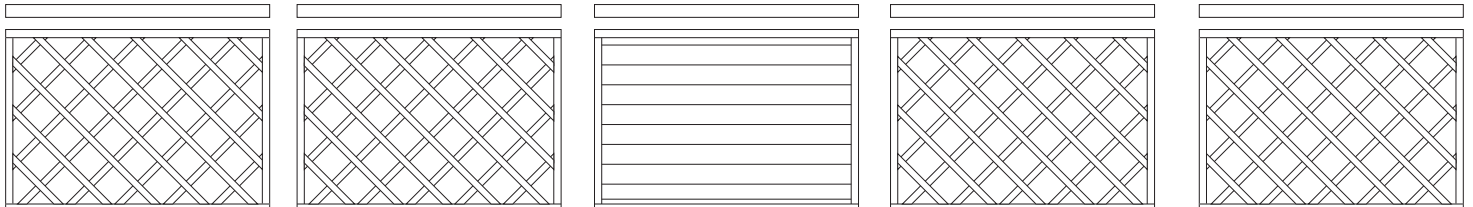
Back Panel



Combination 3

Components used:
1 x half solid panel
4 x Lattice panels
5 x Hand rails

Back Panel



If in doubt of any aspect regarding the assembly, use or safety of your gazebo please contact us :

Help Line (Normal Office Hours) 01829 261121

ROWLINSON GARDEN PRODUCTS LIMITED
Green Lane
Wardle Nr.Nantwich
Cheshire
CW5 6BN
Tel : 01829 262080
Fax : 01829 262089

We constantly improve the quality of our products, occasionally the components may differ from the components shown and are only correct at time of printing. We reserve the right to change the specification of our products without prior notice.

2007 © Rowlinson Garden Products Ltd