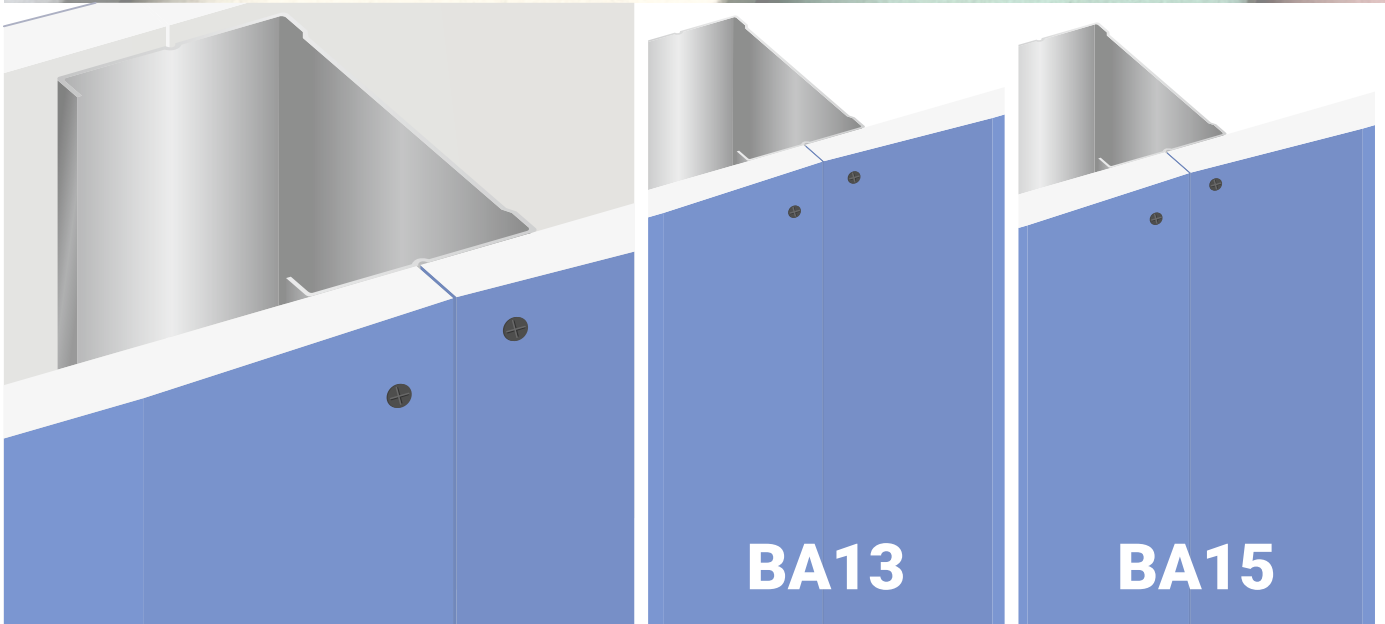


**GYP
FOR**



GYPSUM DRYWALL
DRYWALL CONSTRUCTION

ACOUSTIC



EUROGYPSUM

DI - EN 520

Application

GYPFOR ACOUSTIC plasterboards are designed for use in interior wall and ceiling applications with acoustic insulation requirements.

Should not be used where temperatures exceed 52 °C for extended periods, or in areas with extreme humidity.

Applications suitable for:

- Suspended Ceilings
- Partition walls;
- Existing wall linings.

Physical Characteristics

Board type:
EN 520:2004+A1:2009 A

Core:
Non-combustible, dimensionally stable, inert gypsum.

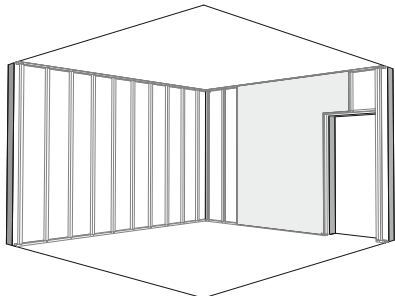
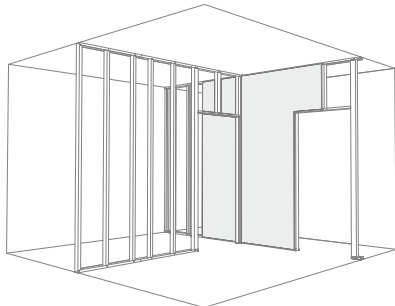
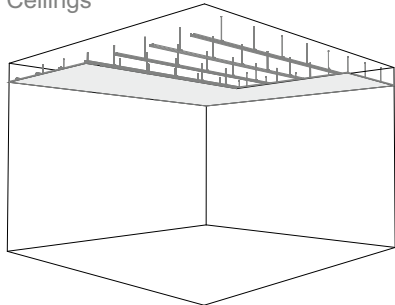
Paper:
100% recycled; Blue/Grey color

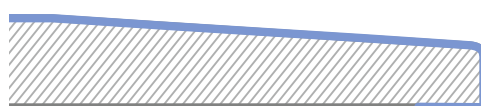
Longitudinal edge:
Tapered Edge (BA)

Transverde edge:
Cut

Label:
Black color

Tech Specs

Dimensional tolerances		Type	ACOUSTIC	
Thickness	+/- 0.5 mm	DFI	EN 520	
Width	+0/-4 mm	Reaction to fire	A2-s1,d0 (B) EN 520	
Length	+0/-5 mm	Thermal Conductivity λ	W/(m.°C)	0.25 EN ISO 10456
Application		Density	kg/m ³	≥ 800
Wall linings		Dimensions		
		Thickness	mm	12.5 15
		Width	mm	1200 1200
		Length	mm	2400, 2500, 3000 2400, 2500, 3000
Partitions		Nominal weight		
		Board thick. 12.5 mm	kg/m ²	10.5
		Board thick. 15 mm	kg/m ²	12.3
Ceilings		Breaking loads EN 520		
		Thickness	12.5	15
		Longitudinal	≥550	≥650
		Transversal	≥210	≥250
Edge		Tapered edge - BA		



This board has no waterproof treatment, after 2 hours in contact with water it increases about 10% of its weigh, losing up to 70% of its resistance.

Plasterboard composed of a non-combustible gypsum core and good fire resistance, although it isn't suitable for isolated application in systems or environments with fire protection requirements.

Dimensions (mm)

