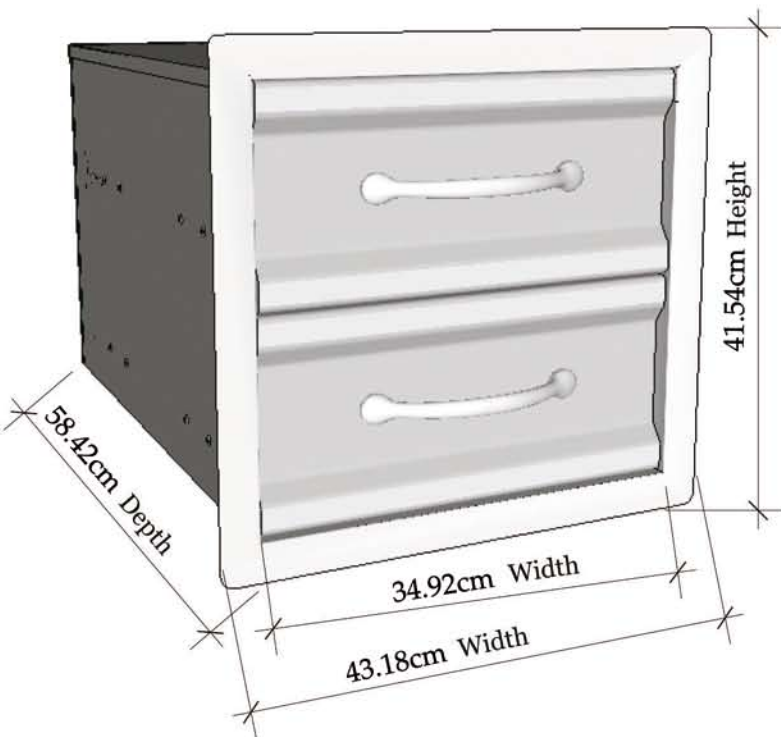
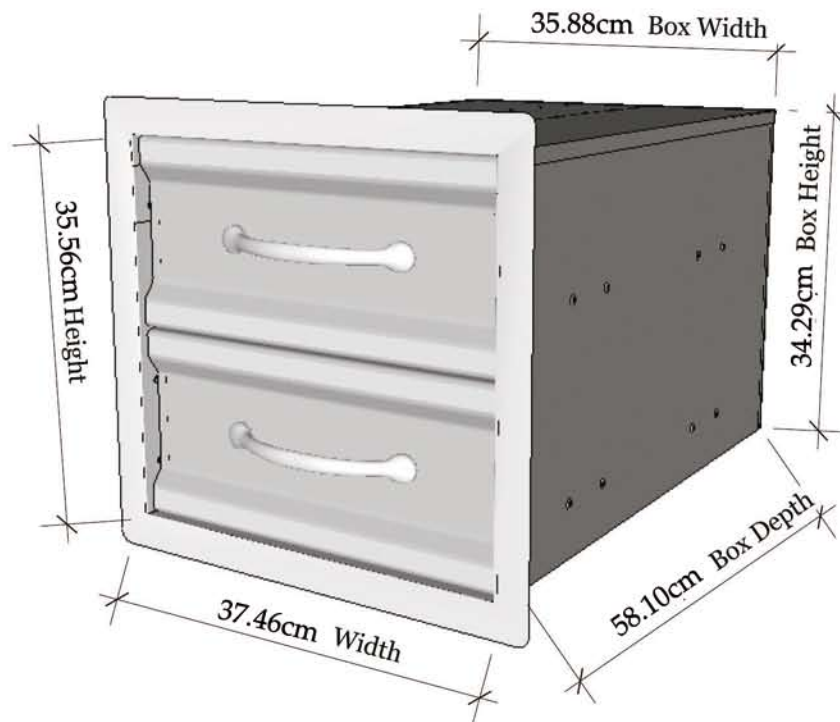


Product Dimensions



Cut-Out Dimensions



Av. Combatentes do Ultramar, 184  
2715-776 Lameiras, Sintra,  
Portugal

Tel: (+351) 219 670 073

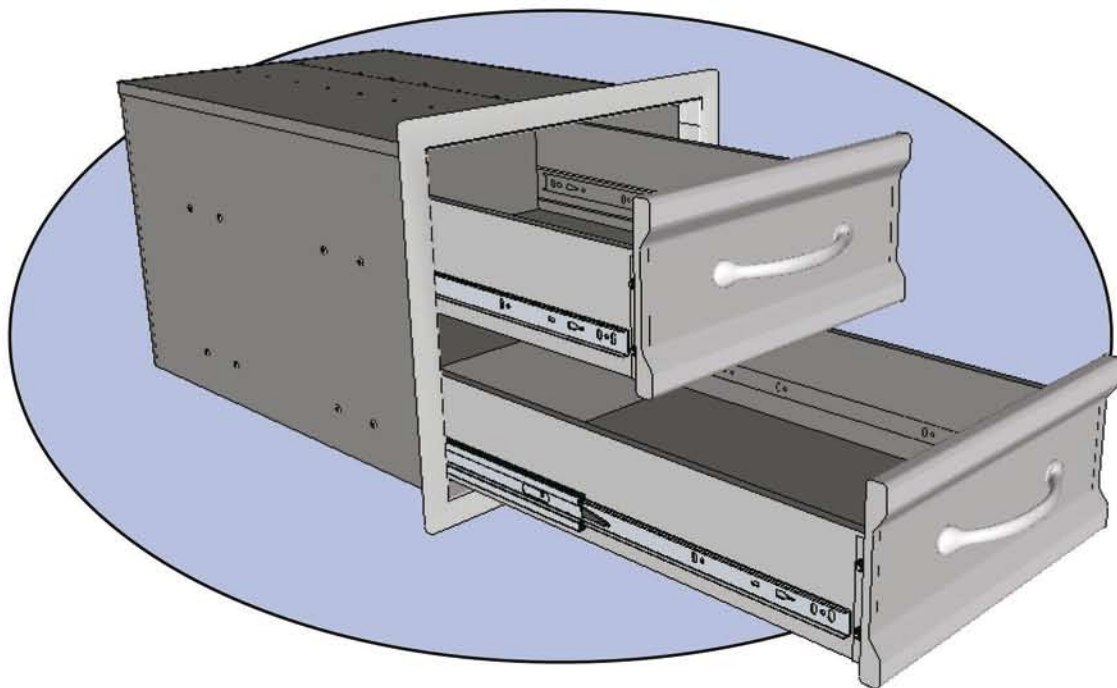
Email: [info@sunstoneoutdoorkitchens.com](mailto:info@sunstoneoutdoorkitchens.com)

**PRODUCT**  
PREMIUM DOUBLE ACCESS DRAWER  
Item No. C-DD14

**DESCRIPTION**  
304 stainless construction, flush mounted Polished Look. Drawers are fully enclosed.

Premium Double Access Drawer  
Product Size (cm): 43,1 W x 58,4 D x 41,5 H  
Cut Out (cm): 37,4 W x 58,1 D x 34,2 H  
Weight (kg): 19,05  
Material Specifications:  
304 stainless steel  
16 Gauge for Frame  
18 Gauge for Panel  
18 Gauge galvanized Box  
Handles are made of zinc alloy, chrome plated.

ISO VIEW



Drawer Extension

