

## K 4 Premium Power Control K 4 Power Control

English  
العربية

6  
19

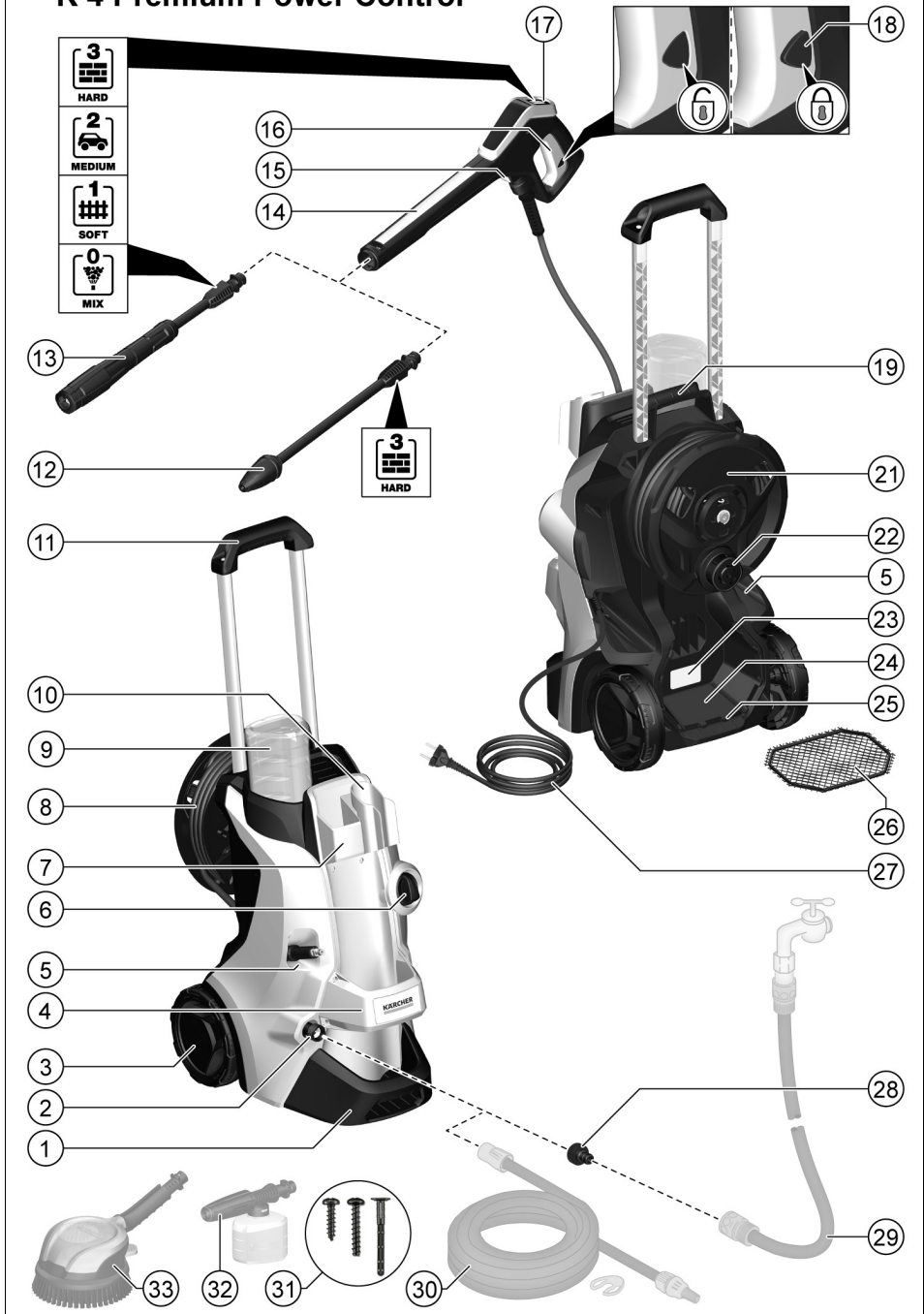


**Register  
your product**

[www.kaercher.com/welcome](http://www.kaercher.com/welcome)

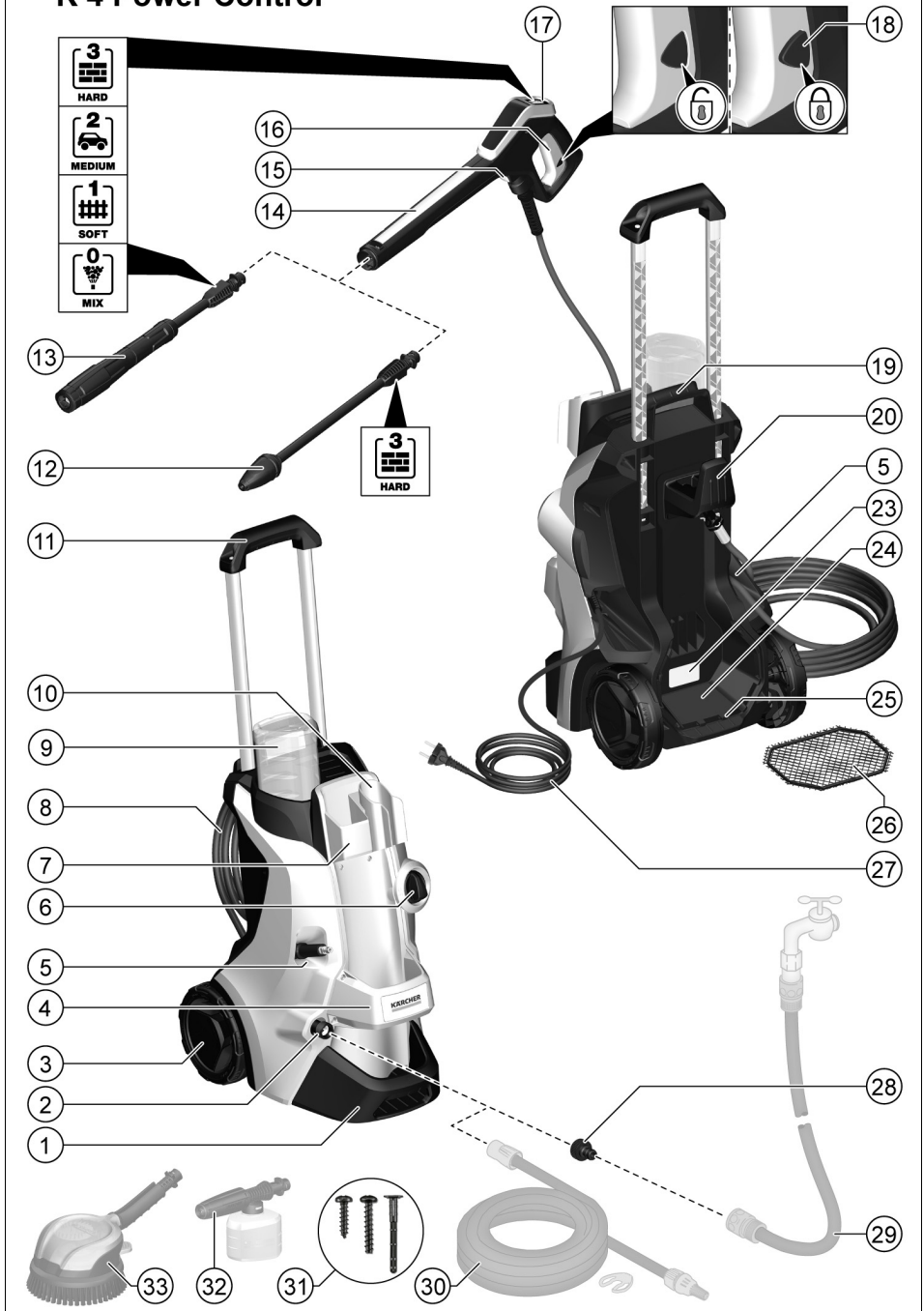


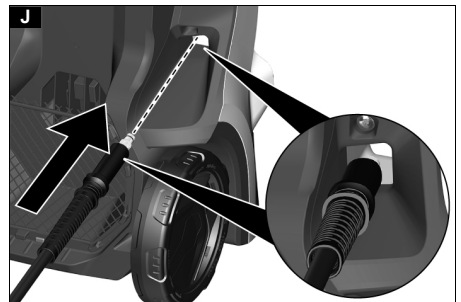
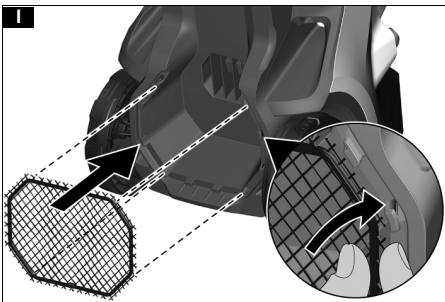
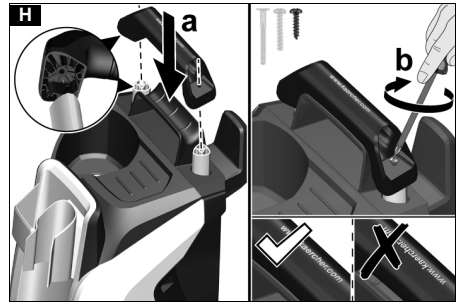
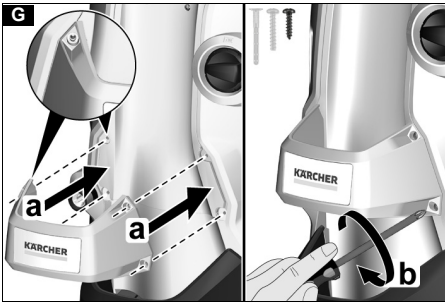
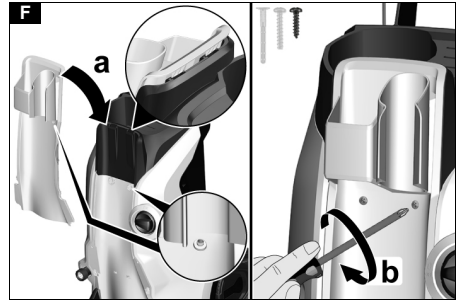
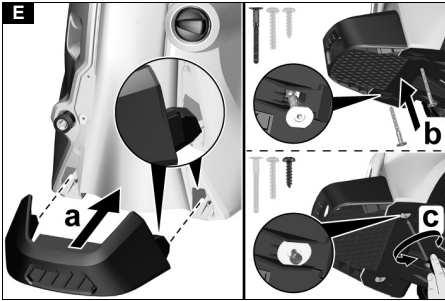
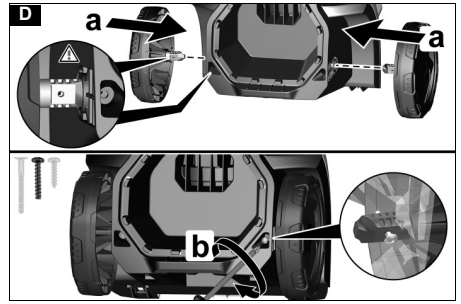
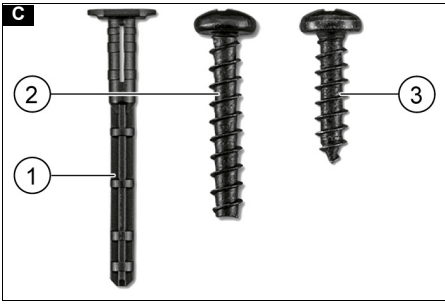
59688950 (10/20)

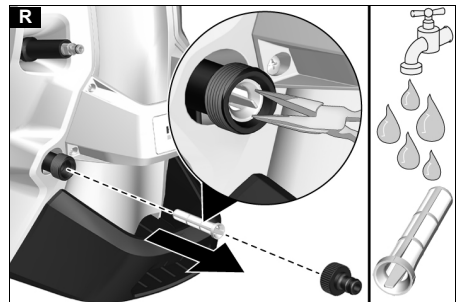
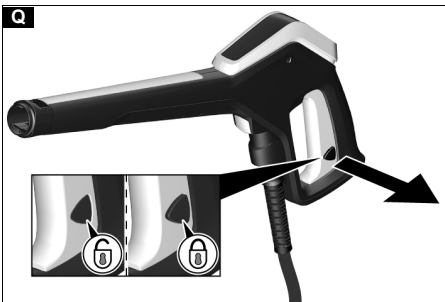
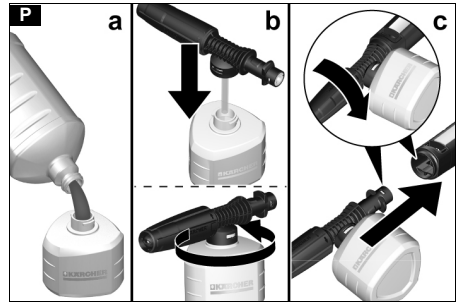
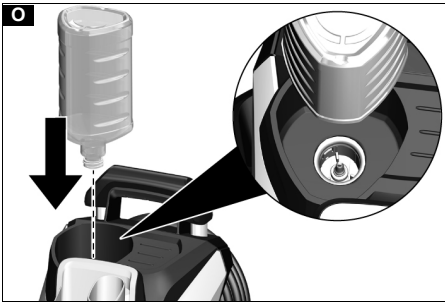
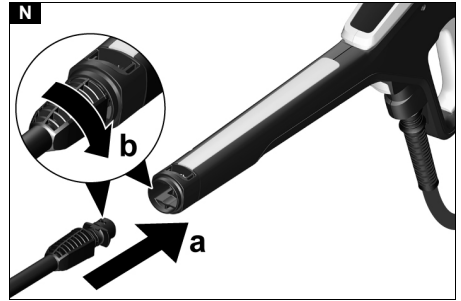
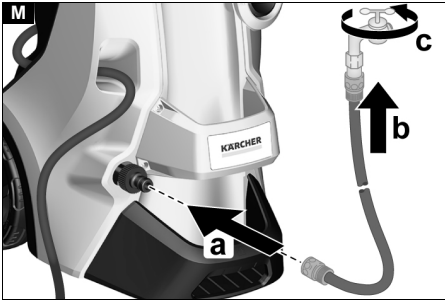
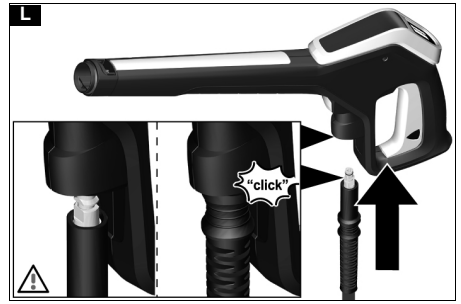
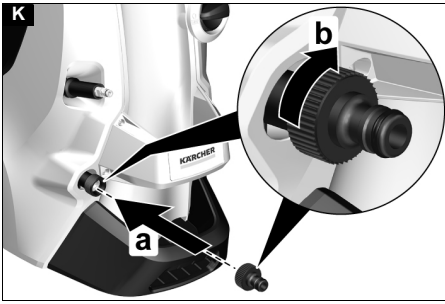
**A****K 4 Premium Power Control**

**B**

# K 4 Power Control







## Contents

Safety instructions .....	6
KÄRCHER Home & Garden app .....	7
Environmental protection .....	7
Intended use .....	7
Accessories and spare parts .....	8
Scope of delivery .....	8
Description of the device .....	8
Safety devices .....	8
Symbols on the device .....	8
Assembly .....	9
Initial startup .....	9
Operation .....	9
Transport .....	11
Storage .....	11
Care and service .....	11
Troubleshooting guide .....	11
Warranty .....	12
Technical data .....	12
EU Declaration of Conformity .....	12

## Safety instructions



Read this safety chapter and these original instructions before using the device for the first time. Act in accordance with them. Keep the original instructions for future reference or for future owners.

- In addition to the notes in the operating instructions, you also need to take into consideration the general safety regulations and accident prevention guidelines applicable by law.
- Warnings and information notices attached to the device provide important information for hazard-free operation.

### Hazard levels

#### **⚠ DANGER**

- Indication of an imminent threat of danger that will lead to severe injuries or even death.

#### **⚠ WARNING**

- Indication of a potentially dangerous situation that may lead to severe injuries or even death.

#### **⚠ CAUTION**

- Indication of a potentially dangerous situation that may lead to minor injuries.

#### **ATTENTION**

- Indication of a potentially dangerous situation that may lead to damage to property.

### Protective gear

**⚠ CAUTION** • Wear suitable protective clothing and safety goggles to protect yourself from water or dirt backsplash. • Aerosols can be formed when using high-pressure cleaners. Inhaling aerosols can be harmful for your health. Depending on the application, the use of fully shielded nozzles (e.g. surface cleaners) can significantly lower the emission of aqueous aerosols. Depending on the environment to be cleaned, wear a suitable respiratory protective mask of class FFP 2 or comparable to protect yourself from inhaling aerosols if the use of a fully shielded nozzle is not possible.

### General safety instructions

**⚠ DANGER** • Risk of asphyxiation. Keep packaging film out of the reach of children.

**⚠ WARNING** • Only use the device for its proper use. Take into account the local conditions and beware of third parties, in particular children, when working with the device. • Persons with reduced physical, sensory or mental capabilities and persons lacking experience and knowledge may only use the appliance if they are properly supervised, have been instructed on use of the appliance safely by a person responsible for their safety, and understand the resultant hazards involved. • Children must not operate the device. • Children must be supervised to prevent them from playing with the appliance.

**⚠ CAUTION** • Safety devices are provided for your own protection. Never modify or bypass safety devices.

### Risk of electric shock

**⚠ DANGER** • Only connect protection class I devices to properly earthed power sources. • Only connect the device to alternating current. The voltage indicated on the type plate must match the voltage of the power source. • Only operate the device via a fault current protection switch (maximum 30 mA). • Never touch the mains plug and socket with wet hands. • The mains plug and coupling of the extension cable must be water tight and may not be placed in water. The coupling may not be on the floor. Use cable drums to ensure that the sockets are at least 60 mm above the floor. • All live parts in the work area must be protected against water jets.

**⚠ WARNING** • Only connect the device to an electrical connection which has been set up by a qualified electrician as per IEC 60364-1. • Check that the mains connection cable with mains plug is undamaged each time before using the device. To avoid any possible danger, a damaged mains connection cable must be immediately replaced by the manufacturer, or the authorised customer service department or a qualified electrician. • Do not damage the power supply and extension cable by running over it, crushing or yanking it or similar. Protect the power supply cable from heat, oil and sharp edges. • Unsuitable electrical extension cables are dangerous. Only use approved and appropriately marked electrical extension cables with a sufficient line cross section when outdoors: 1-10 m : 1.5 mm<sup>2</sup>, 10-30 m : 2.5 mm<sup>2</sup>

**⚠ CAUTION** • Always fully unwind the extension cable from the cable drum. • In case of longer breaks in operation and after use, switch off the device at the main switch / device switch and pull the mains plug.

### Operation

**⚠ DANGER** • Operation in explosive atmospheres is prohibited. • Never suction solvents, liquids containing solvents or undiluted acids. This includes e.g. petrol, paint thinner or heating oil. The spray mist is highly flammable, explosive and poisonous. • Damaged wheels / tyre valves are extremely dangerous. Damaged wheels / tyre valves can be damaged by the high-pressure jet and explode. The first sign of this is discolouration of the tyres. Keep a spray distance of at least 30 cm when cleaning the wheels / tyre valves.



**⚠ WARNING** • Do not use the device if people without the proper protective clothing are in its reach.

- Do not aim the high-pressure jet at yourself, e.g. to clean clothes or shoes.
- Do not direct the high-pressure jet at persons, animals, live electrical equipment or at the device itself.
- Do not spray any objects which contain harmful substances (e.g. asbestos).
- Check the device and the accessories, such as the high-pressure hose, high-pressure gun and safety devices, to make sure they are in proper safe and reliable condition before each operation. Do not use the device if it is damaged. Replace damaged components immediately.
- Only use high-pressure hoses, control panels and couplings specified by the manufacturer.
- Risk of scalding. When disconnecting the supply or high-pressure hose, hot water can leak out of the connections after operation.

**⚠ CAUTION** • According to the applicable regulations, the appliance may never be used with the drinking water network without a system separator. Ensure that the connection to your house water system, with which the high-pressure cleaner is operated, is equipped with a system separator according to EN 12729 type BA.

- Water that has flowed through a system separator is no longer classified as drinkable.
- Never leave the device unsupervised while it is in operation.
- Recoil force from the water stream emerging at the high-pressure nozzle acts on the high-pressure gun. Keep proper footing and hold the high-pressure gun and spray lance firmly.
- Accidents or damage due to the device falling over. Before all actions with or on the device, you must make sure that it is stable.

**ATTENTION** • Do not operate the device at temperatures below 0 °C.

#### Operation with detergent

**⚠ WARNING** • Incorrect use of detergents can cause serious injuries or poisoning.

**⚠ CAUTION** • Keep the detergent out of the reach of children.

- Only use the detergents supplied or specified by the manufacturer. The use of other detergents or chemicals can impair the safety of the device.

#### Care and service

**⚠ WARNING** • Always pull out the mains plug before all care and maintenance work.

**⚠ CAUTION** • Have repair work and work on electrical components carried out by the authorised customer service only.

**ATTENTION** • Do not use acetone, undiluted acids or solvents, as they corrode the materials used on the device.

#### Transportation

**⚠ CAUTION**

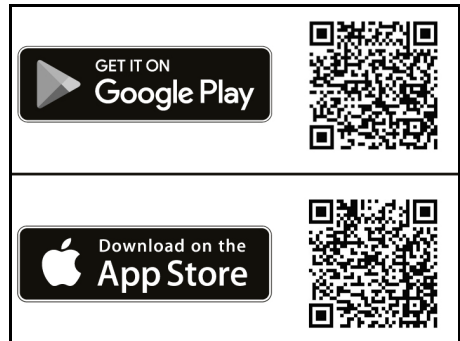
- Risk of accidents and injuries. Take into account the weight of the device for transportation and storage. See chapter Technical data in the operating instructions.

## KÄRCHER Home & Garden app

The KÄRCHER Home & Garden app contains:

- Installation and initial startup information
- Information about the areas of application
- Tips & Tricks
- FAQ with detailed troubleshooting
- Connection to the KÄRCHER Service Centre

The app can be downloaded here:



#### Trademarks

- Google Play™ and Android™ are trademarks or registered trademarks of Google Inc.
- Apple® and App store® are trademarks or registered trademarks of Apple Inc.

## Environmental protection

The packing materials can be recycled. Please dispose of packaging in accordance with the environmental regulations.

Electrical and electronic appliances contain valuable, recyclable materials and often components such as batteries, rechargeable batteries or oil, which - if handled or disposed of incorrectly - can pose a potential danger to human health and the environment. However, these components are required for the correct operation of the appliance. Appliances marked by this symbol are not allowed to be disposed of together with the household rubbish.

Cleaning work producing in oily waste water, e.g. washing engines, washing undercarriages etc., may only be performed at washing stations with an oil separator.

Working with detergents may only be performed on watertight surfaces with connection to the waste water sewage system. Do not allow detergent to enter waterways or the soil.

Extraction of water from public waterways is not permitted in some countries.

#### Notes on the content materials (REACH)

Current information on content materials can be found at: [www.kaercher.de/REACH](http://www.kaercher.de/REACH)

## Intended use

Use the high-pressure cleaner in private households only.

The high-pressure cleaner is intended for cleaning machines, vehicles, buildings, tools, façades, terraces, garden machines etc. using a high-pressure water jet.

## Accessories and spare parts

Only use original accessories and original spare parts. They ensure that the appliance will run fault-free and safely.

Information on accessories and spare parts can be found at [www.kaercher.com](http://www.kaercher.com).

## Scope of delivery

The scope of delivery for the appliance is shown on the packaging. Check the contents for completeness when unpacking. If any accessories are missing or in the event of any shipping damage, please notify your dealer.

## Description of the device

The maximum amount of equipment is described in these operating instructions. Depending on the model used, there are differences in the scope of delivery (see packaging).

For the illustrations, refer to the graphics page

### Illustration A

### Illustration B

- ① Stand with carrying handle
- ② Water connection with integrated sieve
- ③ Transport wheel
- ④ Visor
- ⑤ Hose guide
- ⑥ Trigger "0/OFF" / "I/ON"
- ⑦ Storage for spray lance
- ⑧ High-pressure hose
- ⑨ \*Plug 'n' Clean detergent bottle
- ⑩ Storage / parking position for high-pressure gun
- ⑪ Trans port handle, telescoping
- ⑫ Power Control spray lance dirt grinder for stubborn dirt, pressure level: HARD
- ⑬ Vario Power Control spray lance for the most common cleaning tasks, pressure levels: HARD / MEDIUM / SOFT / MIX
- ⑭ Power Control high-pressure gun
- ⑮ Button for separating the high-pressure hose from the high-pressure gun
- ⑯ High-pressure gun lever
- ⑰ Pressure indicator (0-MIX / 1-SOFT / 2-MEDIUM / 3-HARD)
- ⑱ High-pressure gun lock
- ⑲ Carrying handle
- ⑳ Hose holder
- ㉑ High pressure hose reel
- ㉒ Crank handle for hose reel
- ㉓ Type plate
- ㉔ Accessory compartment
- ㉕ Hook for net attachment
- ㉖ Accessory compartment net

- ㉗ Mains connection with mains plug
- ㉘ Water connection coupling
- ㉙ \*\*Garden hose with commonly available coupling
  - Fabric reinforced
  - Diameter of at least 1/2 inch (13 mm)
  - Length at least 7.5 m
- ㉚ \*\*KÄRCHER suction hose for water supply from open containers (order no. 2.643-100.0)
- ㉛ Supplied screws and dowels
- ㉜ \*Foam nozzle with detergent container
  - The detergent is sucked out of the container to produce a strong detergent foam.
- ㉝ \*Rotating washing brush (e.g. for washing cars)

\* optional, \*\* additionally required

## Supplied screws and dowels

### Illustration C

- ① Stand dowels (2 pieces)
- ② Screw M 4x22 (2 pieces)
- ③ Screw M 4x16 (10 pieces)

## Safety devices

### ⚠ CAUTION

#### Missing or modified safety devices

Safety devices are provided for your own protection. Never modify or bypass safety devices.

## Power switch

The power switch prevents unintentional operation of the device.

## High-pressure gun lock

The lock locks the lever of the high-pressure gun and prevents the device from starting unintentionally.

## Auto-stop function

If the lever of the high-pressure gun is released, the pressure switch turns off the pump and the high-pressure jet stops. The pump switches on again when the lever is pressed.

## Motor circuit breaker

The motor circuit breaker shuts off the device if power consumption is too high.

## Symbols on the device



Do not aim the high-pressure jet may at persons, animals, live electrical equipment or the device itself.

Protect the device against frost.



The device may not be connected to the public drinking water network.



## Assembly

For the illustrations, refer to the graphics page.

Place the screws provided and matching screwdriver at the ready.

Fit the supplied loose parts onto the device before starting up the device.

### Fitting the wheels

1. Insert the wheels.

#### Note

Pay attention to the alignment of the hole.

#### Illustration D

2. Secure the wheels with 1 screw each.

### Mounting the stand

1. Insert the stand.

#### Illustration E

2. Insert the 2 dowels into the holes as far as they will go.
3. Secure the base with 2 screws.

### Installing the spray lance storage

1. Hang the spray lance storage in position.
2. Secure the storage with 2 screws.

#### Illustration F

3. Secure the cover with 4 screws.

#### Illustration G

### Mounting the transport handle

1. Attach the transport handle.

#### Illustration H

2. Secure the transport handle with 2 screws.

### Mounting the accessory net

1. Hang the accessory net on the hooks.

#### Illustration I

### Push the high-pressure hose through the hose guide

1. Insert the high-pressure hose through the hose guide from the rear.

#### Illustration J

### Installing the water connection coupling

1. Screw the water connection coupling onto the water connection on the device.

#### Illustration K

## Initial startup

1. Place the device on a flat and level surface.
2. **For devices with a hose reel:** Completely unwind the high-pressure hose from the hose reel.
3. **For devices without a hose reel:** Unwind the high-pressure hose completely and eliminate any loops and twists.
4. Pull the high-pressure hose all the way forwards through the hose guide.
5. Insert the high-pressure hose into the high-pressure gun until it audibly latches into place.

#### Note

Take care to ensure the correct alignment of the nipple.

#### Illustration L

6. Check for a secure connection by pulling on the high-pressure hose.
7. Plug the mains plug into a mains socket.

## Water supply

For the connection values, see the type plate or chapter *Technical data*.

Observe the water distribution company regulations.

### ATTENTION

#### Damage through contaminated water

Contamination in the water can damage the pump and the accessories.

KÄRCHER recommends using the KÄRCHER water filter for protection (special accessory, order number 4.730-059).

### Connection to the water line

### ATTENTION

#### Hose coupling with Aquastop on the water connection of the device

Damage to the pump

Never use a hose coupling with Aquastop on the water connection of the device.

You can use an Aquastop coupling on the tap.

1. Plug the garden hose onto the water connection coupling.
2. Connect the garden hose to the water line.
3. Open the water tap fully.

#### Illustration M

### Sucking water from open containers

When used with the KÄRCHER suction hose with check valve (special accessory, order number 2.643-100) this high-pressure cleaner is suitable for sucking up surface water, e.g. from rain barrels or ponds (for the maximum suction height see chapter *Technical data*).

The water connection coupling is not required for vacuuming operation.

1. Fill the suction hose with water.
2. Screw the suction hose onto the device water connection and hang it in a water source (e.g. water butt).

### Vent the device

1. Switch the device on "I/ON".
2. Unlock the lever of the high-pressure gun.
3. Press the lever of the high-pressure gun. The device switches on.
4. Allow the device for run a maximum of 2 minutes until the water escaping from the high-pressure gun is free of air bubbles.
5. Release the lever of the high-pressure gun.
6. Lock the lever of the high-pressure gun.

## Operation

### ATTENTION

#### Pump running dry

Damage to the device

If pressure does not build up in the device after 2 minutes then switch the device off and proceed according to the instructions in chapter *Troubleshooting guide*.

### Power Control System


The pressure indicator on the high-pressure gun shows the currently set pressure level when operating with a Power Control spray lance.

#### Note

The sensitivity of materials can vary greatly depending on age and condition. The recommendations are therefore not binding.

#### Note

When operating with surface cleaner and other accessories, the pressure indicator is not accurate.

Display	Pressure level	Recommended for e.g.
	HARD	Stone terraces made of paving stones or washed concrete, asphalt, metal surfaces, garden utensils (wheelbarrow, spade, etc.)
	MEDIUM	Cars / motorcycles, brick surfaces, plastered walls, plastic furniture
	SOFT	Wooden surfaces, bicycle, sandstone surfaces, rattan furniture
	MIX	Operation with detergent

### High-pressure operation

#### ATTENTION

##### Damage to painted or sensitive surfaces

Surfaces can be damaged when the jet is too close to the surface or an unsuitable spray lance is used.

Maintain a minimum spray distance of 30 cm when cleaning painted surfaces.

Do not clean car tyres, paint or sensitive surfaces such as wood with the dirt grinder.

1. Insert a spray lance into the high-pressure gun and lock it by turning it 90°.

##### Illustration N

2. Switch the device on ("I/ON").
3. Unlock the lever of the high-pressure gun.
4. Press the lever of the high-pressure gun. The device switches on.
5. Turn the Vario Power Power Control spray lance until the required pressure level is shown on the pressure indicator.

### Operation with a washing brush

#### ATTENTION

##### Paint damage

Damage to surfaces through a dirty brush

Ensure that the washing brush is free from dirt or other particles before using it.

##### Note

The device operates at low pressure when using washing brushes. This means that detergent can be mixed with the water.

1. Insert the washing brush into the high-pressure gun and turn by 90° to fasten it.

### Operation with detergent

#### ⚠ DANGER

Failure to adhere to the safety data sheet

Incorrect handling of the detergent can seriously damage your health

Observe the safety data sheet of the detergent manufacturer, in particular the instructions on personal protective equipment.

##### Note

Detergent can only be mixed into the jet at low pressure.

#### Note

A Plug 'n' Clean detergent bottle is required for operating with detergent. KÄRCHER detergent can be purchased ready to use in a Plug 'n' Clean detergent bottle.

1. Remove the cover from the Plug 'n' Clean detergent bottle.
2. Plug the detergent bottle into the Plug 'n' Clean detergent connection with the opening facing down.

##### Illustration O

3. Use the Vario Power spray lance.
4. Turn the spray lance towards "MIX" until "MIX" is displayed on the high-pressure gun. The detergent solution is mixed with the water jet during operation.
5. You can optionally use the foam nozzle.
  - a. Fill the detergent solution into the detergent tank. Adhere to the dosage specifications on the detergent container.
  - b. Connect the foam nozzle to the detergent container.
  - c. Insert the foam nozzle into the high-pressure gun and turn by 90° to fasten it.

##### Illustration P

### Recommended cleaning method

1. Spray the detergent sparingly on the dry surface and let it work for a while (do not let it dry).
2. Rinse off the loosened dirt with the high-pressure jet.

### After operation with detergent

1. Pull the Plug 'n' Clean detergent bottle out of the mount and close it with the cap before transporting the device lying down.
2. Store the detergent bottle in the holder with the lid facing up.
3. Flush the device with clear water for approx. 30 seconds.

### Interrupting operation

1. Release the lever of the high-pressure gun. The device switches off when the lever is released. The high pressure in the system is retained.
2. Lock the lever of the high-pressure gun.

##### Illustration Q

3. Place the high-pressure gun with the spray lance in the parking position.
4. Switch the device off "0/OFF" during work breaks longer than 5 minutes.

### Ending operation

#### ⚠ CAUTION

##### Pressure in the system

Injuries from high-pressure water escaping uncontrollably

Only disconnect the high-pressure hose from the high-pressure gun or the device when the system is fully depressurised.

1. Release the lever of the high-pressure gun.
2. Close the water tap.
3. Press the lever of the high-pressure gun for 30 seconds. The pressure remaining in the system is discharged.
4. Release the lever of the high-pressure gun.
5. Lock the lever of the high-pressure gun.
6. Disconnect the device from the water supply.
7. Switch off the device "0/OFF".
8. Pull the mains plug out of the socket.

## Transport

### **⚠ CAUTION**

#### **Failure to observe the weight**

*Risk of injury and damage*

*Be aware of the weight of the device during transportation.*

#### **Carrying the device**

1. Lift and carry the device by the carrying handles.

#### **Pulling the device**

1. Pull the transport handle out until it audibly latches into place.
2. Pull the device via the transport handle.

#### **Transporting the device in a vehicle**

1. Before transporting lying down, pull the Plug 'n' Clean detergent bottle out of the mount and close it with the cap.
2. Secure the device against slipping and tipping over.

## Storage

### **⚠ CAUTION**

#### **Failure to observe the weight**

*Risk of injury and damage*

*Be aware of the weight of the device during storage.*

#### **Storing the device**

1. Place the device on a level surface.
2. Disconnect the spray lance from the high-pressure gun.
3. Press the separation button on the high-pressure gun and disconnect the high-pressure hose from the high-pressure gun.

### **ATTENTION**

#### **Damage to the high-pressure hose**

*Damage to the high-pressure hose through incorrect direction of rotation*

*Observe the correct direction of rotation of the hose reel when winding on the hose.*

4. For devices with a hose reel: Use the crank handle to turn the hose reel anticlockwise and coil up the high-pressure hose.
5. For devices without a hose reel: Store the high-pressure hose on the device.
6. Store the mains connection cable and accessories on the device.

Observe the additional instructions before storing the device for a longer period of time, see chapter *Care and service*.

#### **Frost protection**

### **ATTENTION**

#### **Danger of frost**

*Incompletely emptied devices can be destroyed by frost.*

*Completely empty the device and accessories.*

*Protect the device from frost.*

The following requirements must be satisfied:

- The device is disconnected from the water supply.
  - The high-pressure gun is disconnected from the high-pressure hose.
1. Switch the device on "I/ON".
  2. Wait for a maximum of 1 minute until no more water escapes from the high-pressure hose.
  3. Switch off the device.
  4. Store the device in a frost-protected room, together with all accessories.

## Care and service

### **⚠ DANGER**

#### **Danger of electric shock**

*Injuries due to touching live parts*

*Switch off the device.*

*Remove the mains plug.*

The device is maintenance-free, i.e. you do not need to perform any maintenance work.

#### **Clean the sieve in the water connection**

### **ATTENTION**

#### **Damaged sieve in the water connection**

*Damage to the device through contaminated water*

*Check the sieve for damage before inserting it in the water connection.*

If necessary, clean the sieve in the water connection.

1. Remove the water connection coupling.
2. Pull the sieve out using flat pliers.
3. Clean the sieve under running water.

#### **Illustration R**

4. Insert the sieve into the water connection.

## Troubleshooting guide

Malfunctions often have simple causes that you can remedy yourself using the following overview. When in doubt, or in the case of malfunctions not mentioned here, please contact your authorised Customer Service.

### **⚠ DANGER**

#### **Danger of electric shock**

*Injuries due to touching live parts*

*Switch off the device.*

*Remove the mains plug.*

#### **Device not running**

1. Press the lever of the high-pressure gun.  
The device switches on.
2. Check that the voltage specified on the type plate corresponds to the voltage of the power source.
3. Check the mains connection cable for damage.
4. If the motor is overloaded and the motor circuit breaker has triggered:
  - a Switch off the device "0/OFF".
  - b Allow the device to cool down for 1 hour.
  - c Switch the device on "I/ON" and resume operation.

Have the device checked by Customer Service if this fault occurs repeatedly.

#### **The device does not start up, the motor buzzes**

*Voltage drop due to a weak mains grid or when using an extension cable*

1. When switching on, first press the lever on the high-pressure gun and then switch on the device "I/ON".

#### **Device does not reach required pressure**

*The water supply is too low*

1. Open the water tap fully.
2. Check the water inlet for an adequate flow rate.  
*The sieve in the water connection is dirty.*

1. Pull the sieve in the water connection out using flat pliers.

2. Clean the sieve under running water.

*Air is in the device.*

1. Vent the device:
  - a Switch on the device without a connected spray lance for a maximum of 2 minutes.
  - b Press the high-pressure gun and wait until the water escaping from the high-pressure gun is free of air bubbles.

- c Connect the spray lance.
- d Observe the maximum suction height during suction operation (see chapter *Technical data*).

### Strong pressure fluctuations

1. Clean the high-pressure nozzle:
  - a Use a needle to remove dirt from the nozzle drill.
  - b Rinse the high-pressure nozzle from the front with water.
2. Check the water supply volume.

### Device leaking

1. The device leaks a small amount for technical reasons. If the leak is severe, request authorised Customer Service.

### Detergent is not sucked in

1. Use the Vario Power spray lance and turn it to "MIX".
2. Check that the Plug 'n' Clean detergent bottle is sitting correctly with the opening facing down in the detergent connection.

## Warranty

The warranty conditions issued by our relevant sales company apply in all countries. We shall remedy possible malfunctions on your appliance within the warranty period free of cost, provided that a material or manufacturing defect is the cause. In a warranty case, please contact your dealer (with the purchase receipt) or the next authorised customer service site. (See overleaf for the address)

## Technical data

	K 4	Premium Power Control	Power Control
<b>Electrical connection</b>			
Voltage	V	230-240	230-240
Phase	~	1	1
Frequency	Hz	50	50
Power rating	kW	1,8	1,8
Degree of protection		IPX5	IPX5
Protection class		I	I
Power protection (slow-blowing)	A	13	13
<b>Water connection</b>			
Feed pressure (max.)	MPa	1,2	1,2
Input temperature (max.)	°C	40	40
Input amount (min.)	l/min	9	9
Suction height (max.)	m	0,5	0,5
<b>Device performance data</b>			
Operating pressure	MPa	11	11
Max. permissible pressure	MPa	13	13
Water flow rate	l/min	6,3	6,3
Maximum flow rate	l/min	7,0	7,0
Detergent flow rate	l/min	0,3	0,3
High-pressure gun recoil force	N	13	13
<b>Dimensions and weights</b>			
Typical operating weight	kg	13,6	13,1
Length	mm	414	402
Width	mm	306	306
Height	mm	588	588

	K 4	Premium Power Control	Power Control
<b>Determined values in acc. with EN 60335-2-79</b>			
Hand-arm vibration value	m/s <sup>2</sup>	3,2	3,2
Uncertainty K	m/s <sup>2</sup>	0,8	0,8
Sound pressure level L <sub>pA</sub>	dB(A)	75	75
Uncertainty K <sub>pA</sub>	dB(A)	3	3
Sound power level L <sub>WA</sub> + K	dB(A)	92	91
uncertainty <sub>WA</sub>			

Subject to technical modifications.

## EU Declaration of Conformity

We hereby declare that the machine described below complies with the relevant basic safety and health requirements in the EU Directives, both in its basic design and construction as well as in the version placed in circulation by us. This declaration is invalidated by any changes made to the machine that are not approved by us.

Product: High-pressure cleaner  
Type: 1.324-xxx

### Currently applicable EU Directives

2000/14/EC  
2014/30/EU  
2006/42/EC (+2009/127/EC)  
2011/65/EU

### Harmonised standards used

EN 50581  
EN 55014-1: 2017  
EN 55014-2: 2015  
EN 60335-1  
EN 60335-2-79  
EN 61000-3-2: 2014  
EN 61000-3-3: 2013  
EN 62233: 2008

### Conformity evaluation procedure used

2000/14/EC: Appendix V

### Sound power level dB(A)

K 4 Premium Power Control  
Measured: 89  
Guaranteed: 92  
K 4 Power Control  
Measured: 88  
Guaranteed: 91

The undersigned act on behalf and under the power of attorney of the company management.



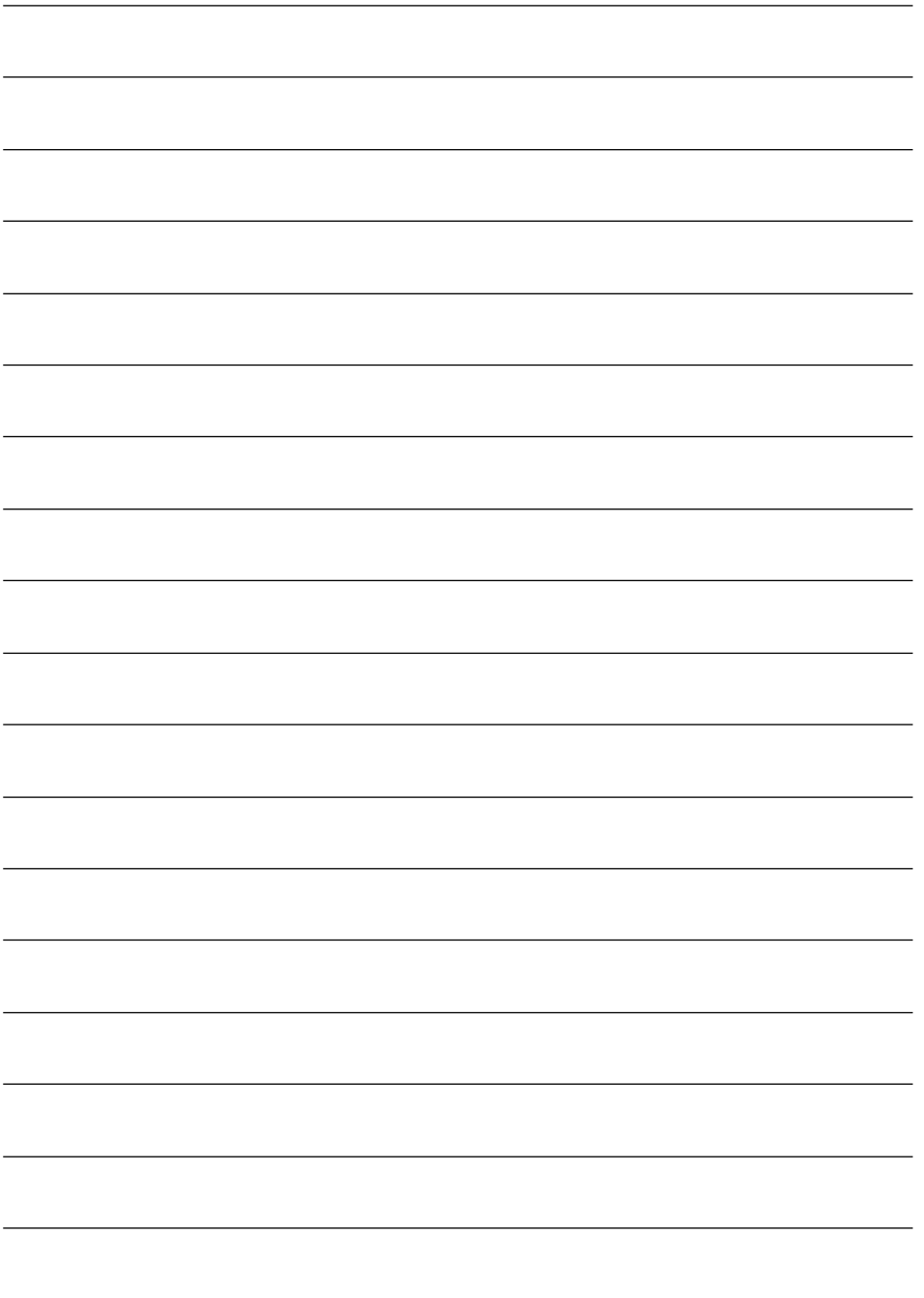
H. Jenner  
Chairman of the Board of Management



S. Reiser  
Director Regulatory Affairs & Certification

### Documentation supervisor:

S. Reiser  
Alfred Kärcher SE & Co. KG  
Alfred-Kärcher-Str. 28 - 40  
71364 Winnenden (Germany)  
Ph.: +49 7195 14-0  
Fax: +49 7195 14-2212  
Winnenden, 2019/12/01



## نظف المصفاة في وصلة المياه

### تنبيه

#### مصفاة متضررة في وصلة المياه

تضرر الجهاز بسبب تلوث المياه

قم بفحص المصفاة قبل تركيبها في وصلة المياه من حيث وجود

أضرار بها.

عند الحاجة قم بتنظيف المصفاة في وصلة المياه.

1. نزع الوصلة الخاصة بتوصيل المياه.

2. سحب المصفاة باستخدام زردية.

3. تنظيف المصفاة تحت المياه الجارية.

#### صورة إيضاحية R

4. تركيب المصفاة في وصلة المياه.

## الضمان

يسري في كل دولة شروط الضمان التي تضعها شركة التسويق المتخصصة التابعة لنا. نحن نتولى إصلاح الأخطاء التي قد تطرأ على جهازك خلال فترة الضمان بدون مقابل، عندما يكون سبب هذه الأعطال ناجم عن عيب في المواد المستخدمة أو في عملية التصنيع، في حالة استحقاق الضمان، توجه من فضلك بقسيمة الشراء إلى أقرب موزع أو مركز خدمة عملاء معتمد. (العنوان على الصفحة الخلفية)

## البيانات الفنية

K 4 Power Control	K 4 Premium Power Control	
<b>توصيل الطاقة</b>		
230-240	230-240	V
1	1	~
50	50	Hz
1,8	1,8	kW
IPX5	IPX5	
13	13	A
<b>وصلة المياه</b>		
1,2	1,2	MPa (الأقصى)
40	40	C° (القصوى)
9	9	l/min (الدنيا)
0,5	0,5	m (الأقصى)
<b>أداء الجهاز</b>		
11	11	MPa ضغط التشغيل
13	13	MPa الضغط الأقصى المسموح به
6,3	6,3	l/min كمية الإمداد، المياه
7,0	7,0	l/min كمية الإمداد القصوى
0,3	0,3	l/min كمية الإمداد، مواد التنظيف
13	13	N قوة ارتجاع مسدس الضغط العالي
<b>الأبعاد الوزن</b>		
13,1	13,6	kg وزن التشغيل النمطي
402	414	mm الطول
306	306	mm العرض
588	588	mm الارتفاع
<b>القيم المسجلة وفقاً للمواصفة EN 60335-2-79</b>		
3,2	3,2	m/s <sup>2</sup> القيمة الاهتزازية لليد والذراع
0,8	0,8	m/s <sup>2</sup> K قيمة الشك
75	75	dB(A) مستوى انبعاث الصوت L <sub>PA</sub>
3	3	dB(A) قيمة الشك K <sub>PA</sub>
91	92	dB(A) + L <sub>WA</sub> مستوى قدرة الصوت K <sub>WA</sub> قيمة الشك

المواصفات الفنية خاضعة للتعديل.

## المساعدة في حالة حدوث خلل

في الغالب تكون للاختلالات أسباب بسيطة يمكنك التغلب عليها ببساطة بالاستعانة بالعرض العام التالي. في حالات الشك أو عند حدوث اختلالات غير مذكورة هنا فيرجى التوجه إلى خدمة العملاء المعتمدة.

### ⚠️ خطر

#### خطر الإصابة بصدمة كهربائية

الإصابة بسبب ملامسة أجزاء موصلة للكهرباء

قم بإغلاق الجهاز.

اسحب قابس الشبكة.

#### الجهاز لا يعمل

1. ضغط رافعة مسدس الضغط العالي.

الجهاز يعمل.

2. التأكد من توافق بيانات الجهد الموجودة على لوحة الطراز مع جهد مصدر التيار.

3. افحص وصلة الكهرباء من حيث وجود أضرار.

4. في حالة فرط التحميل على المحرك، وتحرير مفتاح حماية المحرك:

a أطفئ الجهاز "OFF/0".

b اترك الجهاز لمدة ساعة واحدة ليبرد.

c تشغيل الجهاز "I/ON" والبدء في استعماله.

في حالة تكرار الخطأ لأكثر من مرة، أفحص الجهاز من قبل خدمة العملاء.

#### الجهاز لا يعمل، المُحرك يُصدر طنين

تذبذب الجهد بسبب ضعف التيار الكهربائي أو في حالة استخدام

وصلة لتلمديد الكابلات.

1. عند التشغيل، قم أولاً بضغط الرافعة الخاصة بمسدس الضغط

العالي، ثم قم بتشغيل الجهاز "I/ON".

#### الجهاز لا يعمل بالضغط

1. الإمداد بالمياه منخفض للغاية.

2. فتح صنوبر المياه بالكامل.

3. قم بفحص الإمداد بالمياه من حيث وجود كمية الإمداد الكافية.

المصفاة في وصلة المياه منسخة.

1. سحب المصفاة في وصلة المياه باستخدام زردية.

2. تنظيف المصفاة تحت المياه الجارية.

يوجد هواء في الجهاز.

1. تهوية الجهاز:

a تشغيل الجهاز دون أنبوب نفث موصل لمدة دقيقتين بحد

أقصى.

b اضغط على مسدس الضغط العالي، وانتظر حتى تخرج منه

المياه دون فقاعات.

c توصيل أنبوب النفث.

d في حالة تشغيل الشفط، قم بمراعاة الحد الأقصى لارتفاع

الشفط (انظر فصل البيانات الفنية).

#### تقلبات شديدة في الضغط

1. تنظيف فوهة الضغط العالي:

a قم بإزالة الأساخات من ثقب الفوهة باستخدام إبرة.

b شطف فوهة الضغط العالي بالمياه من الأمام.

2. فحص كمية الإمداد بالمياه.

#### الجهاز يسري

1. وجود تسرب طفيف في الجهاز هو أمر ضروري فنياً. في حالة

وجود تسرب كثيف يجب التواصل مع خدمة العملاء المعتمدة.

## النقل

### ⚠ تنويه

#### عدم مراعاة الوزن

خطر الإصابة وخطر التعرض لأضرار  
احرص عند النقل على مراعاة وزن الجهاز.

### حمل الجهاز

1. رفع وحمل الجهاز من مقابض الحمل.

### سحب الجهاز

1. سحب مقبض النقل حتى يثبت بصوت مسموع.  
2. سحب الجهاز من مقبض النقل.

### نقل الجهاز في السيارة

1. قبل نقل الجهاز، قم بترصه وصلة زجاجة مواد التنظيف 'Plug 'n Clean من مأخذها، وأغلق الغطاء.  
2. تأمين الجهاز ضد الانزلاق، والانقلاب.

## التخزين

### ⚠ تنويه

#### عدم مراعاة الوزن

خطر الإصابة وخطر التعرض لأضرار  
احرص عند التخزين على مراعاة وزن الجهاز.

### حفظ الجهاز

1. وضع الجهاز على أرضية مستوية.  
2. فصل أنبوب النفث عن مسدس الضغط العالي.  
3. ضغط زر الفصل في مسدس الضغط العالي، وافصل خرطوم الضغط العالي من مسدس الضغط العالي.

### تنبيه

#### تضرر خرطوم الضغط العالي

تضرر خرطوم الضغط العالي بسبب استخدام اتجاه دوران خاطيء عند الف، قم بمراعاة اتجاه طنبور الخرطوم.  
4. مع الأجهزة المزودة بكرة الخرطوم: باستخدام ذراع التدوير الدوي، قم بلف طنبور الخرطوم عكس اتجاه عقارب الساعة، ولف خرطوم الضغط العالي.  
5. مع الأجهزة بدون بكرة الخرطوم: قم بتخزين خرطوم الضغط العالي على الجهاز.  
6. قم بحفظ وصلة الكهراء والملحقات في الجهاز.  
قبل فترات التخزين الطويلة، يرجى مراعاة الإرشادات الإضافية، انظر فصل العناية والصيانة.

### الحماية من التجمد

### تنبيه

#### خطر التجمد

يمكن أن تلف الأجهزة التي لم يتم تفرغها بشكل كامل تحت تأثير التجمد.  
عليك تفرغ الجهاز والملحقات بشكل كامل.  
عليك حماية الجهاز من التجمد.  
يجب القيام بما يلي:  
• فصل الجهاز عن مصدر الإمداد بالمياه.  
• فصل مسدس الضغط العالي عن خرطوم الضغط العالي.  
1. تشغيل الجهاز "I/ON".  
2. انتظر لمدة دقيقة على الأقل لكيلا تخرج أي مياه من خرطوم الضغط العالي.  
3. إيقاف الجهاز.  
4. حفظ الجهاز بملحقاته الكاملة في غرفة مؤمنة محمية من التجمد.

## العناية والصيانة

### ⚠ خطر

#### خطر الإصابة بصدمة كهربائية

الإصابة بسبب ملامسة أجزاء موصلة للكهرباء  
قم بإغلاق الجهاز.  
اسحب قابس الشبكة.  
الجهاز ليس به أي عيوب، هذا يعني أنه غير الضروري أن تقوم بأي أعمال صيانة منتظمة.

## إرشاد

التشغيل باستخدام مواد التنظيف يلزم وجود Plug 'n Clean لزجاجة مواد التنظيف. مواد التنظيف KÄRCHER يمكن شراؤها جاهزة للاستخدام في زجاجة مواد التنظيف Plug 'n Clean.  
1. انزع غطاء زجاجة مواد التنظيف Plug 'n Clean.  
2. اضغط زجاجة مواد التنظيف وفتحها إلى أسفل في وصلة مواد التنظيف Plug 'n Clean.

### صورة إيضاحية O

3. استخدم أنبوب النفث Vario Power.  
4. إدارة أنبوب النفث باتجاه "MIX" حتى يتم عرض "MIX" بمسدس الضغط العالي.  
5. إنشاء التشغيل يتم خلط محلول مواد التنظيف مع شعاع المياه. يمكن استخدام فوهة الرغوة بشكل اختياري.  
a ملء خزان مواد التنظيف بمحلول مواد التنظيف. في هذا الصدد يجب مراعاة بيانات المعايير المذكورة على حزمة مواد التنظيف.

b ربط فوهة الرغوة بخزان مواد التنظيف.  
c أدخل فوهة الرغوة في مسدس الضغط العالي وتبثها من خلال إدارتها بزوايا 90°.  
صورة إيضاحية P

### طريقة التنظيف الموصى بها

1. رش المنظف باقتصاد على السطح الجاف وارتكبه ليظهر أثره (لا يحف).  
2. اشطف الأسطح المحررة بتيار الضغط العالي.

### بعد التشغيل مع مواد التنظيف

1. قبل نقل الجهاز، يجب إخراج وصلة قارورة مواد التنظيف Plug 'n Clean' من مكانها، ثم غلق الغطاء.  
2. ضع قارورة مواد التنظيف في مكان الحفظ بحيث يكون الغطاء متجهًا لأعلى.  
3. شطف الجهاز لمدة حوالي 30 ثانية بالمياه النقية.

### قطع عملية التشغيل

1. تحرير ذراع مسدس الضغط العالي.  
عند تحرير الذراع، يتم غلق الجهاز يتم الحفاظ على الضغط العالي في النظام.  
2. قفل ذراع مسدس الضغط العالي.  
صورة إيضاحية Q  
3. أدخل مسدس الضغط العالي مع أنبوب النفث في موضع الإيقاف.  
4. عند فترات التوقف عن العمل لمدة تزيد عن 5 دقائق اغلق الجهاز "OFF/O".

### إيقاف التشغيل

### ⚠ تنويه

#### الضغط في النظام

الإصابة بسبب تيار المياه المتدفقة بضغط عالي بشكل غير متحكم به  
لا تفصل خرطوم الضغط العالي من مسدس الضغط العالي أو من الجهاز إلا في حالة عدم وجود ضغط في النظام.  
1. تحرير ذراع مسدس الضغط العالي.  
2. أغلق صنوبر المياه.  
3. ضغط ذراع مسدس الضغط العالي لمدة 30 ثانية.  
يتم تبديد الضغط المتبقي في الجهاز.  
4. تحرير ذراع مسدس الضغط العالي.  
5. قفل ذراع مسدس الضغط العالي.  
6. فصل الجهاز عن مصدر الإمداد بالمياه.  
7. أطفئ الجهاز "OFF/O".  
8. سحب قابس الشبكة من المقبس.



5. إدخال خرطوم الضغط العالي في مسدس الضغط العالي حتى يثبت بشكل مسموع.

#### إرشاد

مراعاة الاتجاه السليم للوصلة.

#### صورة إيضاحية A

6. التحقق من التوصيل المضمون عن طريق شد خرطوم الضغط العالي.

7. إدخال قابس الشبكة في المقبس.

#### الإمداد بالمياه

لمعرفة قيم التوصيل انظر لوحة الصنع أو فصل البيانات الفنية. مراعاة تعليمات مؤسسة التزويد بالمياه.

#### تنبيه

#### الأضرار بسبب المياه الملونة

الانسباخات في المياه قد تؤدي إلى تضرر المضخة والملحقات. لتوفير الحماية توصي KÄRCHER باستخدام فلتير المياه طراز KÄRCHER (الملحقات الخاصة، رقم الطلب 059-4.730).

#### التوصيل بصنبور المياه

#### تنبيه

#### قارنة خرطوم مع جهاز Aquastop بوصلة مياه الجهاز

تضرر المتضمنة

لا تستخدم أبداً قارنة خرطوم مع جهاز Aquastop بوصلة مياه الجهاز.

يمكنك استخدام قارنة جهاز Aquastop على حنفية المياه.

1. إدخال خرطوم الحديقة في التوصيلة الخاصة بوصلة المياه.
2. توصيل خرطوم الحديقة بصنبور المياه.
3. فتح صنبور المياه بالكامل.

#### صورة إيضاحية M

#### شفط المياه من الخزان المفتوح

باستخدام الضغط العالي يتوانم هذا المنظف للاستخدام مع خرطوم الشفط طراز KÄRCHER مع صمام الرجوع (الملحقات الخاصة، رقم الطلب، 100-2.643) وذلك لشفط المياه السطحية. مثلاً من براميل الأمطار، أو البرك، (لمعرفة الارتفاع الأقصى للشفط انظر فصل البيانات الفنية).

عند تشغيل الشفط، لا يلزم وجود وصلة خاصة بوصلة المياه.

1. املا خرطوم الشفط بالمياه.
2. أدر خرطوم الشفط من وصلة المياه الخاصة بالجهاز، وتعليقه بأحد مصادر المياه (مثلاً لبرميل المظن).

#### تصريف الهواء من الجهاز

1. تشغيل الجهاز "I/ON".
2. فتح رافعة مسدس الضغط العالي.
3. ضغط رافعة مسدس الضغط العالي.
4. الجهاز يعمل.
5. اترك الجهاز يعمل بحد أقصى لمدة دقيقتين حتى تخرج المياه بدون فقاعات.
6. تحرير رافعة مسدس الضغط العالي.
6. قفل رافعة مسدس الضغط العالي.

#### التشغيل

#### تنبيه

#### المضخة تدور دون مياه

تضرر الجهاز

إذا لم يكون الجهاز أي ضغط في غضون دقيقتين، قم إذاً بخلق الجهاز. واتبع التعليمات الواردة في فصل المساعدة في حالة حدوث خلل.

#### نظام Power Control

يظهر مؤشر الضغط بمسدس الضغط العالي عند العمل مستوى الضغط الذي تم تعيينه حالياً باستخدام أنبوب النفث Power Control.

#### إرشاد

يمكن أن تختلف حساسية المواد بشكل كبير اعتماداً على العمر الرئفي والحالة. وبالتالي فإن التوصيات غير ملزمة.

#### إرشاد

يكون مؤشر الضغط بدون مدلول عند تشغيله مع منظف الأسطح والملحقات الأخرى.

البيان	مستويات الضغط	موصى بها على سبيل المثال
	HARD	للتراسات الحجرية المرصوفة، لأحجار رصف أو بطون مغسول، الأسفلت، الأسطح المعدنية، أواني الحدائق (عربة يدوية، مجرفة، إلخ)
	MEDIUM	سيارات / دراجات نارية، أسطح من القرميد، الجدران الملبسة، أثاث بلاستيكي
	SOFT	للأسطح الخشبية والدراجات ومفروشات من القش
	MIX	التشغيل باستخدام مواد تنظيف

#### التشغيل بالضغط العالي

#### تنبيه

#### تضرر السطح الحساس أو المطلي

تعرض الأسطح للضرر بسبب المسافة القليلة لشعاع النفث، أو عن طريق اختيار أنبوب نفث غير مناسب. حافظ على مسافة 30 سم على الأقل في حالة تنظيف الأسطح المطلية.

لا تقم بتنظيف إطارات السيارات، أو الطلاء، أو الأسطح الحساسة مثل الخشب باستخدام ساحن الاتساخات.

1. أدخل أنبوب النفث في مسدس الضغط العالي وثبته من خلال إدارته بزوايا 90°.

#### صورة إيضاحية N

تشغيل الجهاز ("I/ON").

3. فتح رافعة مسدس الضغط العالي.

4. ضغط رافعة مسدس الضغط العالي.

الجهاز يعمل.

5. قم بإدارة أنبوب النفث Vario Power J Power Control حتى يظهر مستوى الضغط المطلوب على مؤشر الضغط.

#### التشغيل باستخدام فرشاة الغسل

#### تنبيه

#### تضرر الطلاء

تضرر السطح بسبب فرشاة الغسل المتسخة

تأكد من أن فرشاة الغسل خالية من الاتساخات، أو غير ذلك من الجزيئات قبل استخدامها.

#### إرشاد

عند استخدام فرشاة الغسل يعمل الجهاز بالضغط المنخفض. وفي هذا الصدد يمكن خلط مواد التنظيف مع ذلك.

1. أدخل فرشاة الغسل في مسدس الضغط العالي وثبته من خلال إدارته بزوايا 90°.

#### التشغيل باستخدام مواد تنظيف

#### خطر

#### عدم مراعاة صفحة بيانات السلامة

أضرار صحية شديدة بسبب الاستخدام غير المطابق للغرض لمواد التنظيف

احرص على مراعاة منشور بيانات السلامة الصادر عن الجهة الصانعة لمواد التنظيف، ولا سيما إرشادات تجهيزات الحماية الشخصية.

#### إرشاد

يمكن خلط مواد التنظيف فقط مع درجات الضغط المنخفضة.

## وطيئة الإيقاف التلقائي

عند تحرير الرافعة مع مسدس الضغط العالي، يوقف مفتاح الضغط المضخة، ويوقف شعاع الضغط العالي. عند الضغط على الذراع، يتم تشغيل المضخة ثانية.

## مفتاح حماية المحرك

في حالة وجود تيار عالي للغاية، يُلقف مفتاح حماية المحرك الجهاز.

## رموز على الجهاز

لا توجه شعاع الضغط العالي على الأشخاص، أو الحيوانات، أو أي معدات كهربائية فعالة أو على الجهاز نفسه.  
حماية الجهاز من التجمد.



لا يسمح بتوصيل الجهاز مباشرة بشبكة مياه الشرب العامة.



## التركيب

**للاشكال، انظر صفحة الصور.**  
إعداد البراعي المرفقة، والمفك المناسب لذلك.  
قبل بدء التشغيل يجب بتركيب الأجزاء المرفقة بالجهاز.

### تركيب العجلات

- إدخال العجلات.  
**إرشاد**  
يجب الانتباه إلى توجيه الثقوب.
- يجب تأمين العجلات ببرغي واحد لكل منهما.

### تركيب القاعدة

- إدخال القاعدة.  
**صورة إيضاحية E**
- إدخال الخابوران في الثقوب حتى النهاية.
- يجب تأمين القاعدة ببرغيين.

### تركيب مكان الحفظ لأنبوب الرش

- تعليق مكان الحفظ لأنبوب الرش.
- تأمين مكان الحفظ ببرغيين.
- تأمين الحاجب باستخدام 4 براغي.  
**صورة إيضاحية G**

### تركيب مقبض النقل

- إدخال مقبض النقل.  
**صورة إيضاحية H**
- تأمين مقبض النقل ببرغيين.

### تركيب شبكة الملحقات

- تعلق شبكة الملحقات على الخطافات.  
**صورة إيضاحية I**

### دفع خرطوم الضغط العالي عن طريق مجرى الخرطوم

- إدخال خرطوم الضغط العالي من الخلف عن طريق منفذ إدخال الخرطوم.  
**صورة إيضاحية J**

### تركيب التوصيلات الخاصة بوحدة المياه

- ربط التوصيلات الخاصة بوصلات المياه في موضع وصلات المياه بالجهاز.  
**صورة إيضاحية K**

## بدء التشغيل

- وضع الجهاز على أرضية مستوية.
- مع الأجهزة المزودة بكرة الخرطوم: فك خرطوم الضغط العالي بالكامل من بكرة الخرطوم.
- مع الأجهزة بدون بكرة الخرطوم: فرد خرطوم الضغط العالي تماما وحل أي عقد أو التفافات.
- سحب خرطوم الضغط العالي بالكامل إلى الأمام عن طريق مجرى الخرطوم.

⑬ أنبوب النفث Power Control لطاقة Vario Power لمعظم مهام التنظيف الشائعة، مستويات الضغط: HARD / MEDIUM / SOFT / MIX

⑭ مسدس ضغط عالي Power Control

⑮ زر فصل خرطوم الضغط العالي من مسدس الضغط العالي

⑯ ذراع مسدس الضغط العالي

⑰ مؤشر الضغط (3-0 / 2-MEDIUM / 1-SOFT / MIX - HARD)

⑱ قفل مسدس الضغط العالي

⑲ مقبض الحمل

⑳ حامل الخرطوم

㉑ بكرة خرطوم الضغط العالي

㉒ كرنك يدوي لبكرة الخرطوم

㉓ لوحة الطراز

㉔ درج الملحقات

㉕ خطاف لتثبيت الشبكة

㉖ شبكة لدرج الملحقات

㉗ وصلة الشبكة مع قابس الشبكة

㉘ توصيل وصلة المياه

㉙\*\* خرطوم الحديقة المزود بطريقة توصيل متداولة

– نسيج مقوى

– الحد الأدنى للقطر 1/2 بوصة (13 مم)

– الحد الأقصى للطول 7.5 م

⑳\*\* خرطوم الشفط KÄRCHER لإمداد المياه من الحاويات

المفتوحة (طلب رقم 2.643-100.0)

㉑ البراعي والخواير المرفقة

㉒\* فوهة الرغوة لخران مواد التنظيف

يتم شفط مواد التنظيف من الخزان، وبذلك تكون رغوة مواد تنظيف قوية.

㉓\* فرشاة الغسل الدوّارة (مثلاً لتنظيف السيارات)

\* اختياري، \*\* ضروري بشكل إضافي

## المسامير والخواير المرفقة

### صورة إيضاحية C

① قاعدة الخابور (عدد 2)

② برغي 4x22 M (عدد 2)

③ برغي 4x16 M (عدد 10)

## تجهيزات السلامة

### تنويه

تجهيزات السلامة التالفة أو المتغيرة

تجهيزات السلامة تخدم حمايتك.

لا تقم بتغيير أو تجاوز تجهيزات السلامة أبداً.

## مفتاح الجهاز

مفتاح الجهاز يمنع تشغيل الجهاز دون قصد.

## قفل مسدس الضغط العالي

القفل يحجب الرافعة، ومسدس الضغط العالي، ويمنع بدء تشغيل الجهاز دون قصد.

## حماية البيئة



المواد المستخدمة في التنظيف قابلة لإعادة التدوير. يرجى التخلص من مواد التنظيف بطريقة تحافظ على البيئة.



تحتوي الأجهزة الكهربائية والإلكترونية على مواد قيمة قابلة لإعادة التدوير وغالباً ما تحتوي كذلك على أجزاء مثل



البطاريات، أو المرآكات أو الزيوت والتي قد تشكل خطورة على صحة الإنسان والبيئة في حالة التعامل معها أو إذا تم التخلص منها بصورة خاطئة. إلا أن هذه الأجزاء ضرورية لتشغيل



الجهاز بصورة سليمة. لا يجوز التخلص من الأجهزة المميزة بهذا الرمز مع النفايات المنزلية.



أعمال التنظيف التي يتكون فيها مياه عادمة تحتوي على زيوت، مثل غسل المحركات، وغسل الهيكل السفلي، لا يسمح بإجرائها إلا في أماكن الغسل المخصصة المزدودة بفاصل للزيت.



لا يسمح بالعمل باستخدام مواد التنظيف إلا في أماكن العمل غير المنفذة للسوائل مع وجود وصلة بقناة المياه المتسخة. لا يسمح بتلف مواد التنظيف إلى المياه أو إلى التربة السطحية.



استخدام المياه من مجاري المياه العامة غير مسموح به في بعض البلدان.

## إرشادات حول مواد المحتويات (REACH)

تجد المعلومات المحدثة حول المكونات على الموقع:

[www.kaercher.de/REACH](http://www.kaercher.de/REACH)

## الاستخدام المطابق للتعليمات

استخدم منطقات الضغط العالي للاستعمال المنزلي فقط. منطقات الضغط العالي مخصصة لتنظيف الماكينات والسيارات والمباني والعدد والواجهات والشرفات ومعدات الحدائق وغيرها وذلك باستخدام الضغط العالي لشعاع المياه.

## الملحقات التكميلية وقطع الغيار

استخدام الملحقات التكميلية الأصلية وقطع الغيار الأصلية فقط، والتي تضمن تشغيل الجهاز بشكل آمن وخالٍ من الاختلالات. تجد المعلومات الخاصة بالملحقات التكميلية وقطع الغيار على الموقع [www.kaercher.com](http://www.kaercher.com).

## محتوى التسليم

محتوى تسليم الجهاز مصور على العبوة. تأكد من وجود جميع محتويات العبوة عند فتحها. وفي حالة نقص أية ملحقات تكميلية أو اكتشاف أي تلف ناهج عن عملية النقل، يرجى إخطار البائع.

## مواصفات الجهاز

يتم في دليل التشغيل هذا شرح التجهيزات الكاملة. وفقاً للموديل، ستكون هناك اختلافات في نطاق التوريد (انظر العبوة).

الشكل، انظر صفحة الصور

صورة إيضاحية A

صورة إيضاحية B

- 1 قاعدة مع مقبض للحمل
- 2 وصلة المياه مع مصفاة مركبة
- 3 عجلة النقل
- 4 حاجب
- 5 مجرى الخرطوم
- 6 أدر مفتاح الجهاز إلى الوضع "OFF" / "I/ON/O"
- 7 حفظ أنابيب النفث
- 8 خرطوم الضغط العالي
- 9\* توصيل زجاجة مواد التنظيف
- 10 حفظ / وضع ركن مسدس الضغط العالي
- 11 مقبض النقل، قابل للخلع
- 12 أنبوب النفث Power Control كاشط الأوساخ للإتساختات العديدة، مستوى الضغط: HARD

بمنزلك التي تم توصيلها بجهاز التنظيف بالضغط العالي مزودة بفاصل للنظام وفقاً لمعيار EN 12729 Typ BA. الماء التي تمر عن طريق فاصل النظام لا تصلح بعد ذلك للشرب. • لا تترك الجهاز دون مراقبة أبدا طالما يكون مشغلاً. • يتم عن طريق المياه الخارجة من فوهة الضغط العالي توليد قوة ارتدادية بمسدس الضغط العالي. قم بتأمين مكان وفوق بشكل آمن وامسك مسدس الضغط العالي وأنبوب الشعاع بشكل ثابت. • حوادث وأضرار ناجمة عن سقوط الجهاز. يجب عليك ضمان السلامة قبل إجراء أي عمل على الجهاز أو قبل استخدام الجهاز.

**تنبيه** • لا تستخدم الجهاز عندما تكون درجات الحرارة تحت 0<sup>°</sup> مئوية.

## التشغيل باستخدام مادة تنظيف

**تحذير** • يمكن أن يؤدي استعمال مواد التنظيف غير الصحيحة إلى حدوث إصابات خطيرة أو إلى حدوث التسمم.

**تنويه** • خزن مواد التنظيف بعيداً عن متناول الأطفال.

• استخدم مواد التنظيف الموردة مع الجهاز أو التي تتصح بها الجهة الصانعة فقط. استخدام مواد التنظيف الأخرى أو المواد الكيميائية يمكن أن تضر بسلامة الجهاز.

## العناية والصيانة

**تحذير** • أفضل الفايبر الكهربائي قبل إجراء أي أعمال الصيانة والعناية.

**تنويه** • عليك إجراء أعمال الإصلاح أو الأعمال الأخرى على القطع الكهربائية من قبل مركز خدمة معتمدة فقط.

**تنبيه** • لا تستخدم مادة الأستيون أو مواد حمضية غير مخففة أو مواد مذيبة لأن هذه المواد ستضر بالمواد المستخدمة في الجهاز.

## الشحن

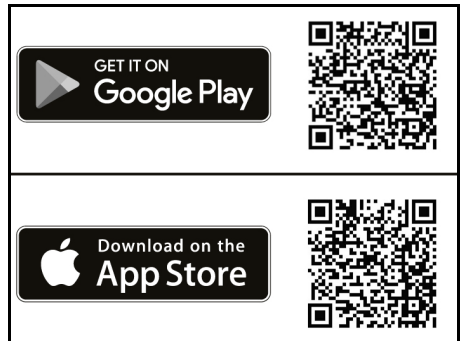
### تنويه

• خطر الحوادث والإصابة. عليك مراعاة وزن الجهاز عند عملية الشحن والتخزين. انظر فصل البيانات الفنية في دليل التشغيل.

## KÄRCHER Home & Garden App

يحتوي تطبيق KÄRCHER Home & Garden App على:

- معلومات حول التركيب والتشغيل
  - معلومات حول مجالات التطبيق
  - نصائح وجبل
  - أسئلة متكررة مع المساعدة على إصلاحها بالتفصيل
  - الاتصال بمركز خدمة KÄRCHER
- يمكن تنزيل التطبيق هنا:



## علامة تجارية

- تطبيقات جوجل TM و أندرويد TM هي علامات تجارية مسجلة لشركة Google Inc.
- أبل® و متجر التطبيقات® هي علامات تجارية مسجلة لشركة Apple Inc.

## إرشادات السلامة



اقرأ فصل السلامة هذا ودليل التشغيل الأصلي هذا أيضا قبل استخدام الجهاز لأول مرة. ثم تصرف طبقا لذلك. حافظ على دليل التشغيل الأصلي للاستخدام لاحقا أو تسليمه للمالك التالي.

- عليك إلى جانب الإرشادات الواردة في دليل التشغيل مراعاة الفواع العامة للسلامة والوقاية والتي يحددها المشرع القانوني.
- تشير علامات الإرشاد والتحذير الموجودة على الجهاز إلى الإرشادات الهامة للتشغيل الآمن.

## درجات الخطر

### ⚠️ خطر

• إشارة إلى خطر مباشر وشيك الحدوث وقد يؤدي إلى إصابات جسدية بالغة أو إلى الوفاة.

### ⚠️ تحذير

• إشارة إلى موقف قد تحفه المخاطر وقد يؤدي إلى إصابات جسدية بالغة أو إلى الوفاة.

### ⚠️ تنويه

• إشارة إلى موقف قد تحفه المخاطر وقد يؤدي إلى إصابات بسيطة.

### ⚠️ تنبيه

• إشارة إلى موقف قد تحفه المخاطر وقد يؤدي إلى حدوث أضرار مادية.

## معدات الحماية الشخصية

⚠️ **تنويه** • ارتدي ملابس واقية مناسبة ونظارة واقية لحماية نفسك من رذاذ الماء والأوساخ المتطايرة. • يمكن أن ينشأ هباء جوي/أيروسول أثناء استعمال جهاز التنظيف بالضغط العالي. يمكن أن يؤدي استنشاق الهباء الجوي إلى حدوث أضرار صحية. اعتمادا على نوع الاستخدام، يمكن أن يساعد استعمال قوحتا محمية بالكامل (منظف سطحي مثلا) في تقليل انبعاث الهباء الجوي بشكل كبير. ارتدي تبا للمكان المراد تنظيفه، قناع واقي للتنفس من فئة FFP 2 أو ما يعادله لحماية نفسك من استنشاق الهباء الجوي عندما يكون استخدام فوحة محمية بالكامل غير ممكنا.

## تعليمات السلامة العامة

⚠️ **خطر** • خطر الاختناق. يجب عليك إبعاد أكياس التعبئة والتغليف عن متناول الأطفال.

⚠️ **تحذير** • استخدم الجهاز وفقا للفرص المحدد له فقط. عليك مراعاة الظروف المحيطة والانتباه عند استخدام الجهاز إلى الأشخاص الآخرين وخاصة الأطفال منهم. • يسمح للأشخاص الذين لديهم قدرات بدنية أو حسية أو عقلية محدودة أو الذين لا يتوافر لديهم الخبرة والمعرفة الكافية، أن يستخدموا الجهاز بشرط الإشراف عليهم بشكل صحيح، أو إذا تم بعد حصولهم على تعليمات بشأن كيفية الاستخدام الآمن للجهاز من قبل شخص مسؤول عن سلامتهم ومعرفتهم بالمخاطر المرتبطة به. • لا يسمح للأطفال بتشغيل الجهاز. • يجب مراقبة الأطفال للتأكد من عدم لعبهم بالجهاز.

⚠️ **تنويه** • تجهيزات السلامة تخدم حمايتك. لا تقم بتغيير أو تجاوز تجهيزات السلامة أبدا.

## خطر الصعق الكهربائي

⚠️ **خطر** • قم بتوصيل أجهزة فئة الحماية A بمصادر التيار الكهربائي المارضة بشكل سليم فقط. • قم بتوصيل الجهاز بنيار متردد فقط. يجب أن يتوافق الجهد الموجود على لوحة الطراز مع جهد مصدر التيار. • لا تستخدم الجهاز عن طريق قاطع الدائرة الكهربائية فقط (30 مللي أمبير حد أقصى). • لا تلمس القابض الكهربائي والمقبس بأيدي مبللة بالماء نهائيا. • يجب أن يكون القابض الكهربائي وفازنة كابل التمديد الكهربائي مقاومة ضد الماء ولا يسمح بوضعها في الماء. لا يسمح بوضع الفازنة على الأرض. استخدم بكرات الكابيل الكهربائي التي تتضمن تواجدا للقوايس الكهربائية بقدر 60 مم فوق الأرض على الأقل. • يجب أن تكون جميع الأجزاء الموصلة للتيار الكهربائي في مكان العمل محمية من اشعة الماء.

⚠️ **تحذير** • قم بتوصيل الجهاز بوصلة كهربائية يكون تم شرائها من متجر متخصص ببيع الأجهزة الكهربائية وفقا لمعيار IEC 60364-1. • تأكد قبل كل استخدام للجهاز من عدم وجود تلف في كابل التيار الكهربائي والقابض. عند تعرض كابل التيار الكهربائي للثقب، يجب استبداله على الفور عن طريق الشركة المصنعة، أو مركز خدمة العملاء المعتمد، أو كهربائي متخصص، وذلك لتجنب أي مخاطر. • لا تقم بالحقن أو تضارب أو إتلاف كابل التوصيل الكهربائي وكابيل التمديد الكهربائي عن طريق الدهس، سحق، الشد أو فعل شيء به من هذا القبيل. قم بحماية كابل التوصيل الكهربائي من الحرارة، الزيت والحقن الحادة. • كابل التمديد الكهربائي غير المناسبة يمكن أن تكون مصدر للخطر. استخدم في الهواء الطلق ذلك كابل التمديد الكهربائي المرخص والمميزة مزودة بقطع عرضي الكابل كافي: 10-1 مم، 1.5 مم<sup>2</sup>، 30-10 مم، 2.5 مم<sup>2</sup>

⚠️ **تنويه** • فك كابل التمديد الكهربائي دائما بشكل كامل من بكرة الكابل الكهربائي. • يجب عند التوقف عن العمل لفترة استراحة طويلة وبعد الاستخدام إيقاف الجهاز عن طريق المفتاح الرئيسي / مفتاح الجهاز وكذلك فصل القابض الكهربائي أيضا.

## التشغيل

⚠️ **خطر** • يمنع معا بانا التشغيل في المناطق القابلة للانفجار. • لا تقم بسفط مواد مذيبة أو سوائل تحتوي على مواد مذيبة أو مواد حمضية غير مخففة أبدا. وهذه تشمل على سبيل المثال البنزين، مواد إضافية للألوان أو ووقود التدفئة. الرذاذ قابل للاشتعال والانفجار وسام. • إطارات السيارات التالفة /اصمامات الاطارات تشكل مصدر خطر على الحياة. إطارات السيارات /اصمامات الاطارات يمكن أن تنضروا أو تنفجر عن طريق استخدام شعاع الضغط العالي. أول علامة على ذلك هو تغيير لون الاطار عليك المحافظة على مسافة 30 سم على الأقل من الشعاع عند تنظيف السيارة عن إطارات السيارة / اصمامات الاطارات.

⚠️ **تحذير** • لا تستخدم الجهاز بالقرب من تواجد أشخاص آخرين لا يرتدون ملابس واقية مناسبة. • لا توجه شعاع الضغط العالي على نفسك مثلا على ملابسك أو حذائك لتنظيفه. • لا توجه شعاع الضغط العالي على الأشخاص، الحيوانات، معدات كهربائية فعالة أو على الجهاز نفسه. • لا تقوم برش أي أشياء تحتوي على مواد ضارة بالصحة (الأسبست مثلا). • تأكد قبل كل استخدام من أن الجهاز ومخفحاته في حالة سليمة وآمنة للتشغيل مثلا خرطوم الضغط العالي، مدسد الضغط العالي وتجهيزات السلامة أيضا. لا تستخدم الجهاز عند وجود تلف فيه. قم بتغيير الأجزاء التالفة فوراً. استخدم خرطوم الضغط العالي والتجهيزات والأقارنات التي تتصح بها الجهة الصانعة. • خطر الاحتراق. عند فصل مدخل الخرطوم أو خرطوم الضغط العالي يمكن أن يخرج ماء ساخن من الوصلات بعد التشغيل.

⚠️ **تنويه** • لا تستخدم الجهاز أبدا بدون قاطع للنظام بشبكة مياه الشرب وفقا للوائح السارية. تأكد من أن وصلة الشبكة المائية



**THANK YOU!**  
**MERCI! DANKE! ¡GRACIAS!**



Registrieren Sie Ihr Produkt und profitieren Sie von vielen Vorteilen.

Register your product and benefit from many advantages.

Enregistrez votre produit et bénéficiez de nombreux avantages.

Registre su producto y aproveche de muchas ventajas.

**[www.kaercher.com/welcome](http://www.kaercher.com/welcome)**



Bewerten Sie Ihr Produkt und sagen Sie uns Ihre Meinung.

Rate your product and tell us your opinion.

Évaluer votre produit et dites-nous votre opinion.

Reseñe su producto y díganos su opinión.



**[www.kaercher.com/service](http://www.kaercher.com/service)**

**Alfred Kärcher SE & Co. KG**  
Alfred-Kärcher-Str. 28-40  
71364 Winnenden (Germany)  
Tel.: +49 7195 14-0  
Fax: +49 7195 14-2212

