

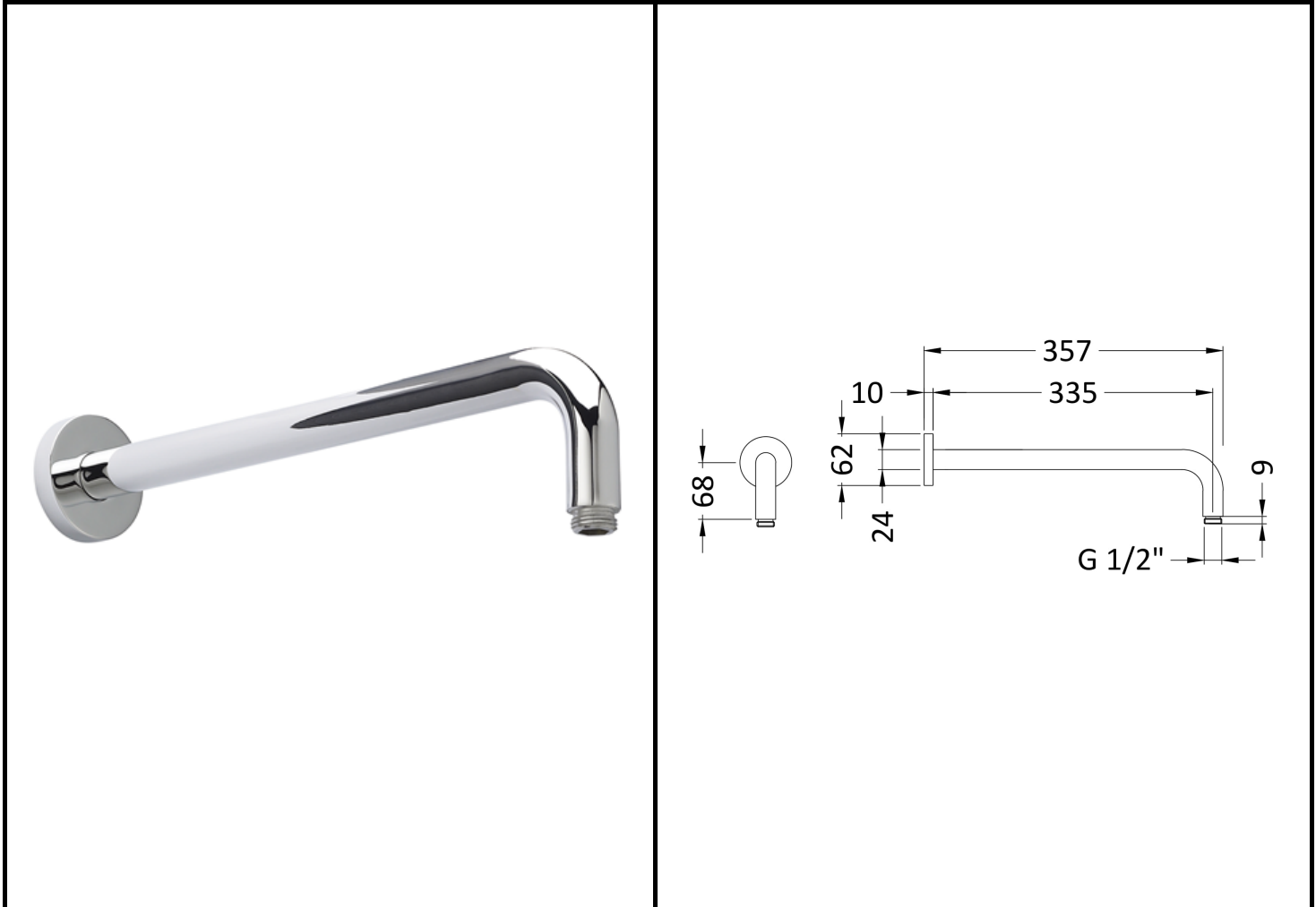
B A Y S W A T E R

London W.2

CODE: BAYS351

DESCRIPTION: Wall Mounted Shower Arm

CATEGORY: Showers



PRODUCT DIMENSIONS				
Length(mm)	Width (mm)	Height (mm)	Depth (mm)	Nett Wgt Kg
	62	99	320	0.3

PACKAGING DIMENSIONS			
Depth (mm)	Width (mm)	Height (mm)	Gross Wgt Kg
102	38	420	0.5

PACKAGING DATA			
Box Colour	White Cardboard Box		
Box Qty	1	Label Colour	White Label
Label Size	100 x 50	Label Qty	2

OUTER BOX DIMENSIONS (If Applicable)				
Length (mm)	Width (mm)	Height (mm)	Depth (mm)	Gross Wgt Kg
	430	365	430	19
Barcode	5055275890660			

PRODUCT DETAILS	
Country of Origin	United Kingdom
Fitting Instruction	No
Product Material	Brass
Mount Type	Wall, Surface
Outlet Elbow Supplied	No
Easy Clean	Not Applicable
Head Included	No
Handset Included	Not Applicable
Body Jets Included	No
No of Body Jets	Not Applicable
Operating Pressure (bar)	
Valve/Cartridge Type	Not Applicable

Flow Rates (L/min)	0.1 bar	N/A	0.5 bar	N/A	1 bar	N/A	2 bar	N/A	3 bar	N/A
TMV2 Approved	No		Approval No.		N/A					
TMV3 Approved	No		Approval No.		N/A					
WRAS Approved	No		Approval No.		N/A					
Head Function	Not Applicable									
Handset Function	Not Applicable									
Body Jet Info	Not Applicable									
Pipe Size	Not Applicable									
Pipe Centres	Not Applicable									
Colour/Finish	Chrome									
Hose Included	Not Applicable									