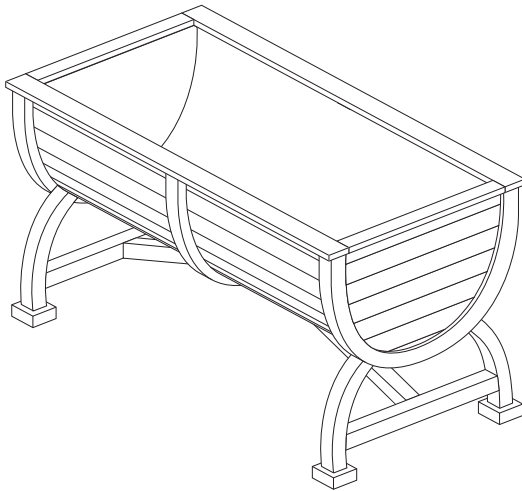


# Marberry Barrel Planter

# English SS299

Help Line (Normal Office Hours) 01829 261 121

## Assembly Instructions



### Before assembly

- We recommend that time is taken to read the instructions before starting assembly, then follow the easy step by step guide. The instruction sheet is only a guide to the assembly. Certain items may not be shown to scale.
- Check all components prior to assembly
- This product should be assembled by no less than two people.

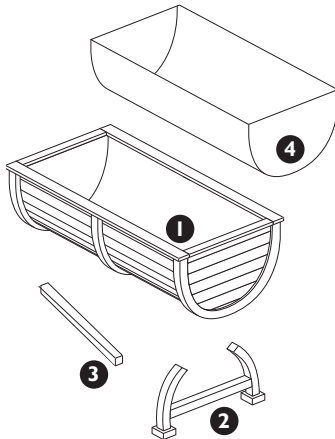


### Recommended tools for assembly

- Spanner
- Crosshead screwdriver
- Hammer

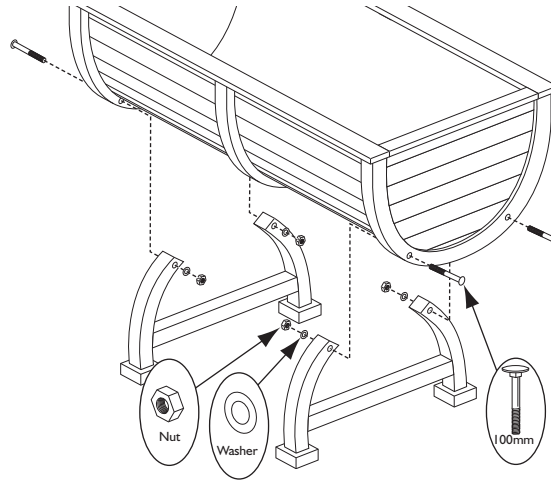
No.	Components	Qty.
1	Planter body	1
2	Leg	2
3	Leg brace	2
4	Liner	1

No.	Fixing Kit	Qty.
5	100mm bolt	4
6	Washer	4
7	Nut	4
8	70mm screws	2
9	30mm screws	2
10	15mm tacks	16



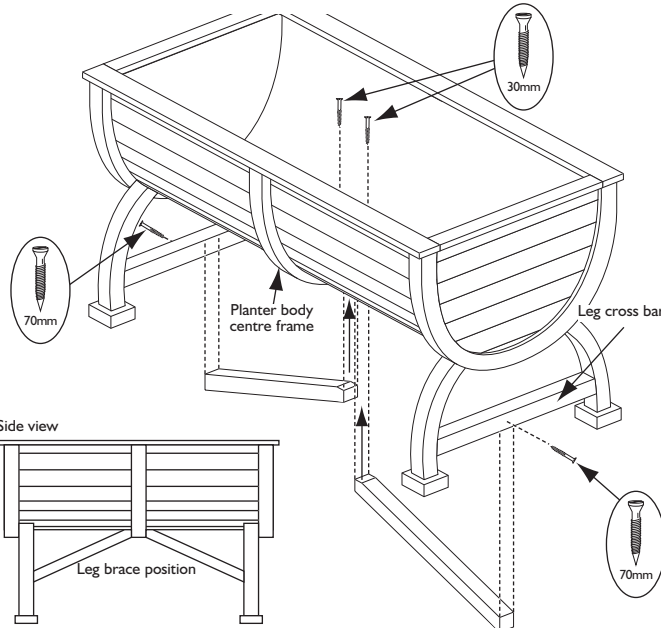
### 1. Legs

Attach each leg using 2 x 100mm bolts, nuts and washer.



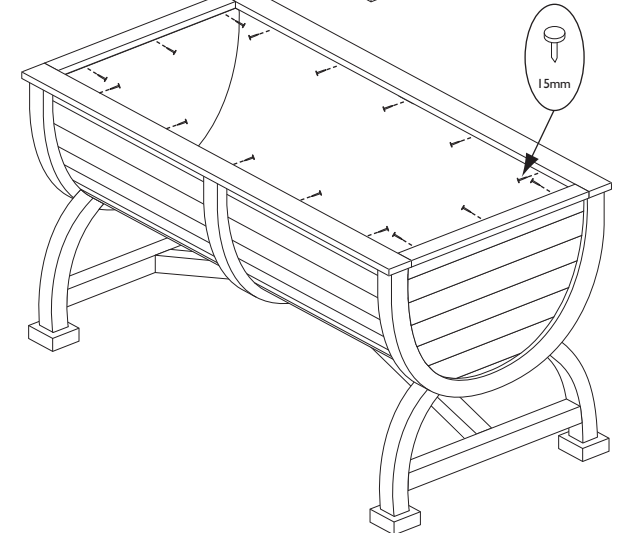
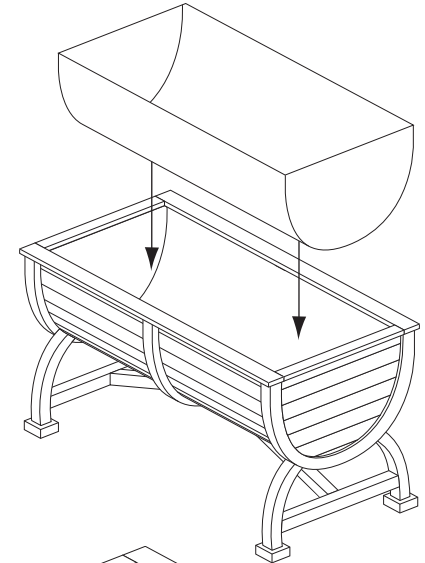
### 2. Leg Braces

Position each leg brace between the cross bar of the leg and the centre frame of the planter body. Using 1 x 70mm screw, screw through the leg cross bar into the end of the leg brace. Then using 1 x 30mm screw, screw through the planter body into the other end of the brace.



### 3. Liner

Open out the liner and position inside the planter body. Using 16 x 15mm tacks secure the top edge of the liner just under the rim of the planter body.



We constantly improve the quality of our products, occasionally the components may differ from the components shown and are only correct at time of printing. We reserve the right to change the specification of our products without prior notice.

2013 © Rowlinson Garden Products Ltd