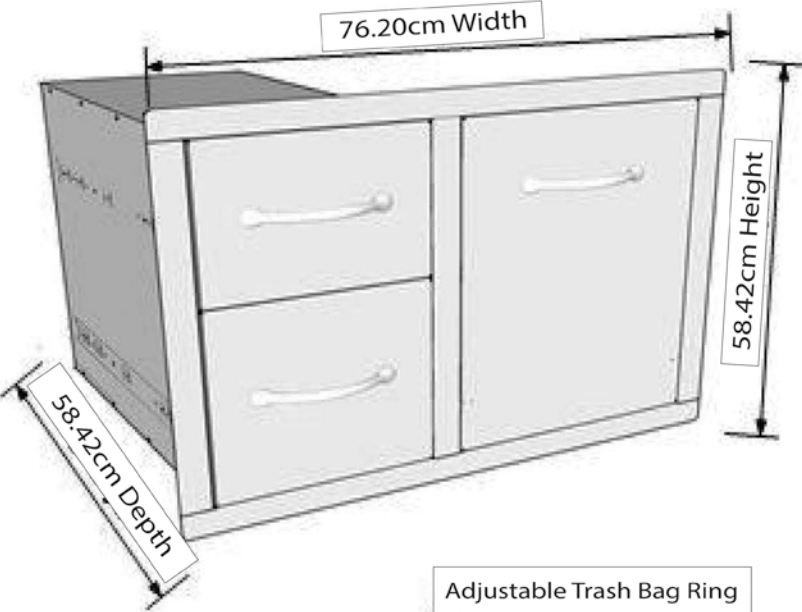
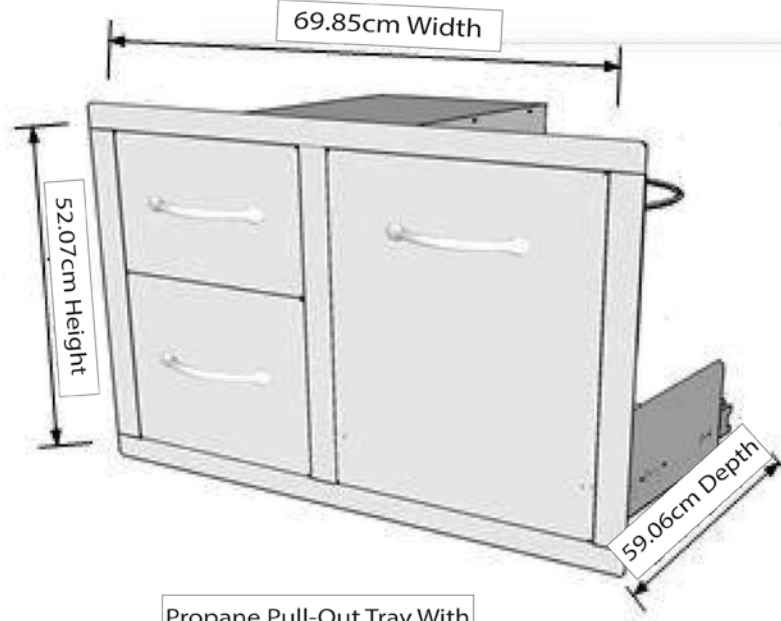


Product Dimensions



Cut-Out Size



SUNSTONE
OUTDOOR KITCHENS

Av. Combatentes do Ultramar, 184
2715-776 Lameiras, Sintra, Portugal
Tel: (+351) 219 670 073
Email: info@sunstoneoutdoorkitchens.com

PRODUCT
30" Tank Tray Double Combo
Item No. A-LPCDD30

DESCRIPTION
30" Tank Tray Double Drawer
Combo w/Trash Ring

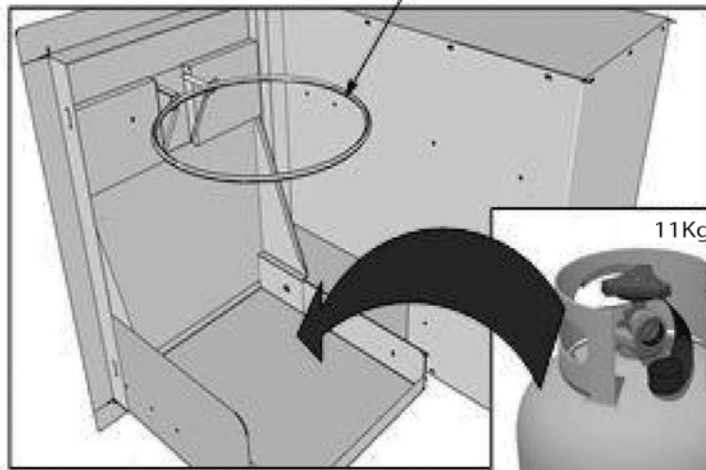
SPECIFICATIONS

76.20W x 58.42D x 58.42H (product Size)
69.85W x 59.06D x 52.07H (Cut-Out)
28.12Kg (Weight)

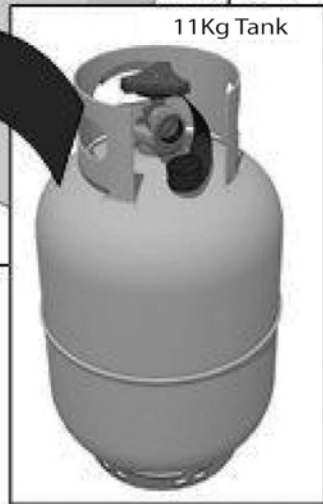
Material Specifications:

304 Stainless Steel 16 Gauge for
Frame 18 Gauge for Door 18 Gauge 20
gauge 201 SS for Drawer Box
Handles are made of Zinc Alloy
Chrome Plated.

Adjustable Trash Bag Ring



11Kg Tank



Propane Pull-Out Tray With
Optional Trash Bag Ring

