



**DRAPER**<sup>®</sup>

**STORMFORCE**

10.8V 3/8"

# RATCHET

17135



These instructions accompanying the product are the original instructions. This document is part of the product, keep it for the life of the product passing it on to any subsequent holder of the product. Read all these instructions before assembling, operating or maintaining this product.

This manual has been compiled by Draper Tools describing the purpose for which the product has been designed, and contains all the necessary information to ensure its correct and safe use. By following all the general safety instructions contained in this manual, it will ensure both product and operator safety, together with longer life of the product itself.

All photographs and drawings in this manual are supplied by Draper Tools to help illustrate the operation of the product.

Whilst every effort has been made to ensure the accuracy of information contained in this manual, the Draper Tools policy of continuous improvement determines the right to make modifications without prior warning.

# 1. TITLE PAGE

---

## 1.1 INTRODUCTION:

**USER MANUAL FOR: 10.8V 1/2" Sq. Dr. Ratchet**  
**Stock No: 17135**  
**Part No: RW108SF**

## 1.2 REVISIONS:

**Date first published November 2018.**

---

---

---

---

As our user manuals are continually updated, users should make sure that they use the very latest version.

**Downloads are available from:** <http://drapertools.com/manuals>

Draper Tools Limited  
Hursley Road  
Chandler's Ford  
Eastleigh  
Hampshire  
SO53 1YF  
UK

**Website:** [drapertools.com](http://drapertools.com)

**Product Help Line:** +44 (0) 23 8049 4344

**General Fax:** +44 (0) 23 8026 0784

## 1.3 UNDERSTANDING THIS MANUALS SAFETY CONTENT:

**WARNING!** – Information that draws attention to the risk of injury or death.

**CAUTION!** – Information that draws attention to the risk of damage to the product or surroundings.

## 1.4 COPYRIGHT © NOTICE:

Copyright © Draper Tools Limited.

Permission is granted to reproduce this publication for personal and educational use only. Commercial copying, redistribution, hiring or lending is prohibited.

No part of this publication may be stored in a retrieval system or transmitted in any other form or means without written permission from Draper Tools Limited.

In all cases this copyright notice must remain intact.

---

## 2. CONTENTS

---

<b>1. TITLE PAGE</b>	
1.1 INTRODUCTION .....	2
1.2 REVISION HISTORY .....	2
1.3 UNDERSTANDING THIS MANUAL .....	2
1.4 COPYRIGHT NOTICE .....	2
<b>2. CONTENTS</b>	
2.1 CONTENTS .....	3
<b>3. WARRANTY</b>	
3.1 WARRANTY .....	4
<b>4. INTRODUCTION</b>	
4.1 SCOPE .....	5
4.2 SPECIFICATION .....	5
4.3 HANDLING AND STORAGE .....	6
<b>5. HEALTH AND SAFETY INFORMATION</b>	
5.1 GENERAL SAFETY INSTRUCTIONS FOR POWER TOOL USE .....	7
5.2 ADDITIONAL SAFETY INSTRUCTIONS FOR IMPACT WRENCHES .....	8
5.3 RESIDUAL RISK .....	9
5.4 SAFETY INSTRUCTIONS FOR MAINS POWERED CHARGERS AND BATTERY PACKS .....	9
5.5 CONNECTION TO THE POWER SUPPLY (CHARGER) .....	11
<b>6. TECHNICAL DESCRIPTION</b>	
6.1 IDENTIFICATION .....	12
<b>7. UNPACKING AND CHECKING</b>	
7.1 PACKAGING .....	13
7.2 DRAPER 10.8V MULTI-TOOL INTERCHANGEABLE BATTERY SYSTEM .....	13
<b>8. PREPARING THE IMPACT WRENCH</b>	
8.1 BATTERY PACK CHARGING .....	14
8.2 BATTERY PACK CHARGING LIGHT INDICATOR SEQUENCE .....	15
8.3 BATTERY PACK CHARGE STATUS .....	15
8.4 BATTERY LIFE EFFICIENCY AND CHARGING ADVICE .....	13
<b>9. BASIC IMPACT WRENCH OPERATIONS</b>	
9.1 INSTALLING AND REMOVING SOCKETS .....	16
9.2 ROTATIONAL DRIVE SELECTION .....	16
9.3 VARIABLE SPEED TRIGGER .....	17
9.4 LED WORKLIGHT .....	17
9.5 OPERATION .....	17
<b>10. MAINTENANCE &amp; TROUBLESHOOTING</b>	
10.1 MAINTENANCE .....	18
10.2 TROUBLESHOOTING GUIDE .....	18
<b>11. OPTIONAL ACCESSORIES</b>	
11.1 OPTIONAL ACCESSORIES .....	19
<b>12. DISPOSAL</b>	
12.1 DISPOSAL .....	20
12.2 BATTERY PACK DISPOSAL INFORMATION .....	20
<b>13. EXPLANATION OF SYMBOLS</b>	
13.1 EXPLANATION OF SYMBOLS .....	21
<b>DECLARATION OF CONFORMITY</b> .....	ENCLOSED

## 3. WARRANTY

---

### 3.1 WARRANTY

Draper tools have been carefully tested and inspected before shipment and are guaranteed to be free from defective materials and workmanship.

Should the tool develop a fault, please return the complete tool to your nearest distributor or contact

**Draper Tools Limited, Chandler's Ford, Eastleigh, Hampshire, SO53 1YF. England.**

**Telephone Sales Desk: (023) 8049 4333 or Product Help Line (023) 8049 4344.**

A proof of purchase **must** be provided with the tool.

If upon inspection it is found that the fault occurring is due to defective materials or workmanship, repairs will be carried out free of charge. This warranty period covering labour is 12 months from the date of purchase except where tools are hired out when the warranty period is 90 days from the date of purchase. The warranty is extended to 24 months for parts only. This warranty does not apply to any consumable parts, any type of battery or normal wear and tear, nor does it cover any damage caused by misuse, careless or unsafe handling, alterations, accidents, or repairs attempted or made by any personnel other than the authorised Draper warranty repair agent.

**Note:** If the tool is found not to be within the terms of warranty, repairs and carriage charges will be quoted and made accordingly.

This warranty applies in lieu of any other warranty expressed or implied and variations of its terms are not authorised.

Your Draper warranty is not effective unless you can produce upon request a dated receipt or invoice to verify your proof of purchase within the warranty period.

Please note that this warranty is an additional benefit and does not affect your statutory rights.

**Draper Tools Limited.**

# 4. INTRODUCTION

---

## 4.1 SCOPE

This hand-held cordless ratchet is designed for removal and installation of threaded fasteners. This product is intended for domestic and infrequent light trade use only. Any application other than that it was intended for, is considered misuse.

## 4.2 SPECIFICATION

Stock No.....	17135
Part No. ....	RW108SF
Rated voltage.....	10.8V
Anvil size .....	3/8"
Maximum torque.....	45Nm
Revolutions per minute (no load) .....	0-250min
Sound pressure level (LpA)*: .....	78.66dB(A)
Sound power level (LWA)**: .....	89.66dB(A)
Uncertainty (K): .....	3dB(A)
Vibration level: .....	2.898m/s <sup>2</sup> , K=1.5m/s <sup>2</sup>
Weight (machine only):.....	0.7kg

\* *Continuous A-Weighted Sound Pressure Level at the workstation in accordance to and declared according to EN60745.*

\*\* *The typical A-weighted noise level determined according to EN60745.*

## 4.3 HANDLING AND STORAGE

- Care must be taken when handling this product.
  - Dropping this power tool could have an effect on its accuracy and could also result in personal injury. This product is not a toy and must be respected.
- Environmental conditions can have a detrimental effect on this product if neglected.
  - Exposure to damp air can gradually corrode components.
  - If the product is unprotected from dust and debris, components will become clogged.
  - If not cleaned and maintained correctly or regularly, the machine will not perform at its best.

## 5. HEALTH AND SAFETY INFORMATION

---

### 5.1 GENERAL SAFETY INSTRUCTIONS FOR POWER TOOL USE

When using any type of power tool there are steps that should be taken to make sure that you, as the user, remain safe.

Common sense and a respect for the tool will help reduce the risk of injury.

**Read the instruction manual fully.** Do not attempt any operation until you have read and understood this manual.

Most important you must know how to safely start and stop this machine, especially in an emergency.

**Keep the work area tidy and clean.** Attempting to clear clutter from around the machine during use will reduce your concentration. Mess on the floor creates a trip hazard. Any liquid spilt on the floor could result in you slipping.

**Find a suitable location.** If the machine is bench mounted, the location should provide good natural light or artificial lighting as a replacement. Avoid damp and dust locations as it will have a negative effect on the machine's performance. If the machine is portable do not expose the tool to rain. In all cases do not operate power tools near any flammable materials.

**Keep bystanders away.** Children, onlookers and passers by must be restricted from entering the work area for their own protection. The barrier must extend a suitable distance from the tool user.

**Unplug and house all power tools that are not in use.** A power tool should never be left unattended while connected to the power supply. They must be housed in a suitable location, away locked up and from children. This includes battery chargers.

**Do not overload or misuse the tool.** All tools are designed for a purpose and are limited to what they are capable of doing. Do not attempt to use a power tool (or adapt it in any way) for an application it is not designed for. Select a tool appropriate for the size of the job. Overloading a tool will result in tool failure and user injury. This covers the use of accessories.

**Dress properly.** Loose clothing, long hair and jewellery are all dangerous because they can become entangled in moving machinery. This can also result in parts of body being pulled into the machine. Clothing should be close fitted, with any long hair tied back and jewellery and neck ties removed. Footwear must be fully enclosed and have a non-slip sole.

**Wear personal protective equipment (PPE).** Dust, noise, vibration and swarf can all be dangerous if not suitably protected against. If the work involving the power tool creates dust or fumes wear a dust mask. Vibration to the hand, caused by operating some tools for longer periods must be protected against. Wear vibration reducing gloves and allow long breaks between uses. Protect against dust and swarf by wearing approved safety goggles or a face shield. These are some of the more common hazards and preventions, however, always find out what hazards are associated with the machine/work process and wear the most suitable protective equipment available.

**Do not breathe contaminated air.** If the work creates dust or fumes connect the machine (if possible) to an extraction system either locally or remotely. Working outdoors can also help if possible.

**Move the machine as instructed.** If the machine is hand held, do not carry it by the power supply cable. If the product is heavy, employ a second or third person to help move it safely or use a mechanical device. Always refer to the instructions for the correct method.

**Do not overreach.** Extending your body too far can result in a loss of balance and you falling. This could be from a height or onto a machine and will result in injury.

**Maintain your tools correctly.** A well maintained tool will do the job safely. Replace any damaged or missing parts immediately with original parts from the manufacturer. As applicable, keep blades sharp, moving parts clean, oiled or greased, handles clean, and emergency devices working.

**Wait for the machine to stop.** Unless the machine is fitted with a safety brake, some parts may continue to move due to momentum. Wait for all parts to stop, then unplug it from the power supply before making any adjustments, carrying out maintenance operations or just finishing using the tool.

## 5. HEALTH AND SAFETY INFORMATION

---

**Remove and check setting tools.** Some machinery requires the use of additional tools or keys to set, load or adjust the power tool. Before starting the power tool always check to make certain they have been removed and are safely away from the machine.

**Prevent unintentional starting.** Before plugging any machine in to the power supply, make sure the switch is in the OFF position. If the machine is portable, do not hold the machine near the switch and take care when putting the machine down, that nothing can operate the switch.

**Carefully select an extension lead.** Some machines are not suitable for use with extension leads. If the tool is designed for use outdoors, use an extension lead also suitable for that environment. When using an extended lead, select one capable of handling the current (amps) drawn by the machine in use. Fully extend the lead regardless of the distance between the power supply and the tool. Excess current (amps) and a coiled extension lead will both cause the cable to heat up and can result in fire.

**Concentrate and stay alert.** Distractions are likely to cause an accident. Never operate a power tool if you are under the influence of drugs (prescription or otherwise), including alcohol or if you are feeling tired. Being disorientated will result in an accident.

**Have this tool repaired by a qualified person.** This tool is designed to conform to the relevant international and local standards and as such should be maintained and repaired by someone qualified, using only original parts supplied by the manufacturer. This will ensure the tool remains safe to use.

### 5.2 ADDITIONAL SAFETY INSTRUCTIONS FOR RATCHET TOOLS

**Important:** Draper Tools Limited recommends that this machine should not be modified or used for any application other than that for which it was designed. If you are unsure of its relative applications do not hesitate to contact us in writing and we will advise you.

- Power tools shall not be used in potentially explosive atmospheres unless specifically designed for that purpose;
- Unexpected tool movement due to reaction forces or breakage of inserted tool or reaction bar may cause injuries;
- Power tools shall be isolated from the energy source before changing or adjusting the inserted tool;
- **Warning:**
  - There is a risk of crushing by torque between a reaction bar and the workpiece;
  - There is a risk of loose clothing, hair etc., being caught in the rotating spindle of the tool;
  - There is a risk of being injured if hands are not kept away from the reaction bar, specially observed when unscrewing in confined work spaces;
  - There is a risk of being injured if hands are not kept away from the nut runner sockets;
  - There is a risk of danger to persons from high speed splinters being emitted from impact wrenches in the case of nut runner socket failure.
- Unexpected direction of inserted tool movement can cause a hazardous situation;
- Use only sockets and adaptors which are in good condition and are intended for use with power tools;
- Adopt a suitable posture to counteract normal or unexpected movement of the power tool due to reaction forces from the power assembly tool;
- Release the start and stop device in the case of an interruption of the energy supply;
- Only lubricants recommended by the manufacturer shall be used;

## 5. HEALTH AND SAFETY INFORMATION

---

- Ratchets are not torque wrenches and are not designed or capable of installing fasteners to a specified torque. For fasteners requiring a specific torque, install the fastener to well below the required value then complete the task with a hand torque wrench to avoid damaging the fastener or workpiece.
- Only use accessories specifically hardened for impact use. Do not use standard chrome type hand tool sockets as they will shatter and splinter causing injury.
- Do not modify this tool in any way.
- When starting or finishing the removal and installation of fasteners there is a risk of crushing between the tool and the workpiece due to sudden movement or reaction forces.

### 5.3 RESIDUAL RISK

**Important note:** Although the safety instructions and operating manuals for our tools contain extensive instructions of safe working with power tools, every power tool involves a certain residual risk which can not be completely excluded by safety mechanisms. Power tools must therefore always be operated with caution!



## 6. TECHNICAL DESCRIPTION

### 6.1 IDENTIFICATION



- ① Battery charge indicator.
- ② Reverse/forward selector.
- ③ 3/8" Square drive.
- ④ LED worklight.
- ⑤ Trigger lock switch.
- ⑥ Trigger switch.
- ⑦ 10.8V Draper Power Interchange Li-ion battery pack (sold separately).

# 7. UNPACKING AND CHECKING

---

## 7.1 PACKAGING

Carefully remove the product from the packaging and examine it for any sign of damage that may have happened during shipping. Lay the contents out and check them against the parts shown below. If any part is damaged or missing, please contact the Draper Help Line (the telephone number appears on the Title page) and do not attempt to use the product.

The packaging material should be retained at least during the warranty period, in case the machine needs to be returned for repair.

### Warning!

- Some of the packaging materials used may be harmful to children. Do not leave any of these materials in the reach of children.
- If any of the packaging is to be thrown away, make sure they are disposed of correctly, according to local regulations.

## 7.2 DRAPER 10.8V MULTI-TOOL INTERCHANGEABLE BATTERY SYSTEM

This tool is supplied **without** a battery, and **without** a charger. These optional accessories are available.

The Draper 10.8V multi-tool interchangeable range features an array of machines **all** running from the same battery. To find out the latest range of accessories including battery and charger please consult the Draper website for more information or to find your local Draper stockist.



## 8. BASIC RATCHET OPERATIONS

### 8.1 FORWARD/REVERSE SELECTION

**Note:** Ratchets are not torque wrenches and are not designed or capable of installing fasteners to a specified torque. For fasteners requiring a specific torque, use a hand torque wrench.

- Rotate the selector (3) anti-clockwise to select forward or clockwise for reverse operations.

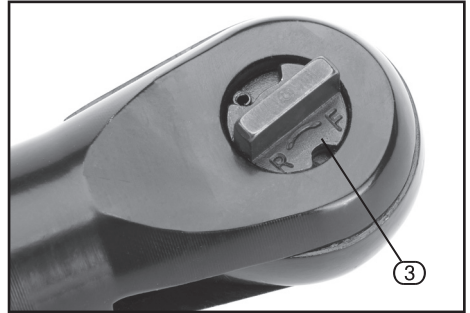


FIG.1

### 8.2 TRIGGER SWITCH – FIG. 2

The ratchet is fitted with an “on/off” switch located near the trigger.

Slide the switch forward for the ratchet to function.

Slide the switch to the back position when not in use.

- Confirm direction of rotation prior to starting. Pull trigger (6) to operate the ratchet.
- Release the trigger to stop the ratchet.

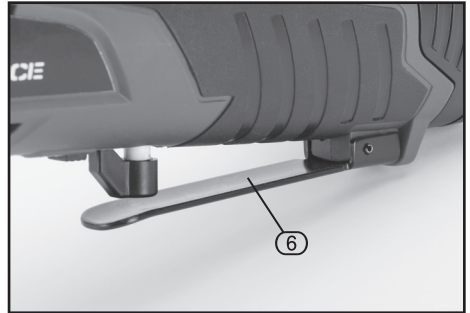


FIG.2

### 8.3 ANVIL – FIG. 3

- Ensure the socket correctly locates on the anvil (3) firmly engaging on the locating ball (3.1).

**Warning:** Only use accessories specifically hardened and designed for use with impact tools.

Do not use standard chrome type hand tool sockets and accessories as they may shatter and splinter.

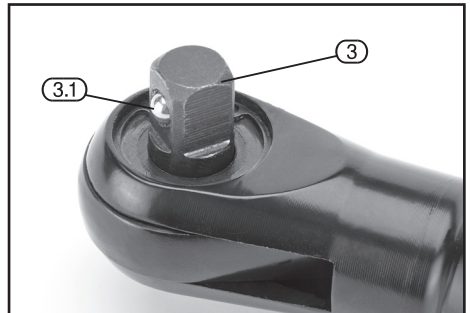


FIG.3

## 10. TROUBLESHOOTING

---

### 10.1 TROUBLESHOOTING GUIDE

Problems	Possible cause	Required action
<ul style="list-style-type: none"><li>• Motor turns. Spindle doesn't run or runs erratically.</li></ul>	<ul style="list-style-type: none"><li>• Worn teeth on ratchet or pawl.</li><li>• Weak or broken pawl pressure spring.</li><li>• Weak drag springs fail to hold spindle while pawl advances for another bite.</li></ul>	<ul style="list-style-type: none"><li>• Replace worn parts.</li></ul>
<ul style="list-style-type: none"><li>• Motor seized – ratchet head rotates by hand.</li></ul>	<ul style="list-style-type: none"><li>• Blocked motor.</li></ul>	<ul style="list-style-type: none"><li>• Operate throttle in short bursts with socket engaged on the bolt.</li><li>• If motor remains jammed return to service centre.</li></ul>

## 11. OPTIONAL ACCESSORIES

---

### 11.1 OPTIONAL ACCESSORIES

A full range of accessories are available from Draper Tools.

Please visit our website for details: [www.drapertools.com](http://www.drapertools.com)

## 9. MAINTENANCE

---

### 9.1 MAINTENANCE

Regular inspection and cleaning reduces the necessity for maintenance operations and will keep your tool in good working condition.

The motor must be correctly ventilated during tool operation. Avoid blocking the air inlets and vacuum the ventilation slots regularly.

## 12. DISPOSAL

---

### 12.1 DISPOSAL

- At the end of the machine's working life, or when it can no longer be repaired, ensure that it is disposed of according to national regulations.
- Contact your local authority for details of collection schemes in your area.

In all circumstances:

- Do not dispose of power tools with domestic waste.
- Do not incinerate.
- Do not dispose of WEEE\* as unsorted municipal waste.



\* *Waste Electrical & Electronic Equipment.*

# 12. EXPLANATION OF SYMBOLS

## 12.1 EXPLANATION OF SYMBOLS



Read the instruction manual.



Wear safety glasses.



Wear ear defenders.



Wear protective gloves.



Long and loose hair must be contained or securely tied back.



Do not abandon into the environment.



Keep out of the reach of children.



**Warning!**



**Warning!** Risk of crushing.



Direction of rotation.



Single value noise marking.  
*(Maximum declared A-Weighted sound power level in decibels).*



Class II construction  
*(Double insulated).*



WEEE –  
Waste Electrical &  
Electronic Equipment.  
*Do not dispose of Waste Electrical & Electronic Equipment in with domestic rubbish.*



Lithium-ion product.

**Li-ion**



Do not incinerate or  
throw onto fire.



For indoor use only.  
Do not expose to rain.



Fuse.



Polarity indication.



Rated voltage.

# CONTACTS

Draper Tools Limited, Hursley Road,  
Chandler's Ford, Eastleigh, Hampshire. SO53 1YF. U.K.

Help Line: (023) 8049 4344

Sales Desk: (023) 8049 4333

Internet: [drapertools.com](http://drapertools.com)

E-mail: [sales@drapertools.com](mailto:sales@drapertools.com)

General Enquiries: (023) 8026 6355

Service/Warranty Repair Agent:

For aftersales servicing or warranty repairs, please contact the  
Draper Tools Help Line for details of an agent in your local area.

YOUR DRAPER STOCKIST

TAKC1118

©Published by Draper Tools Limited.

No part of this publication may be reproduced, stored in a retrieval system or transmitted in any form or by any means, electronic, mechanical photocopying, recording or otherwise without prior permission in writing from Draper Tools Ltd.