

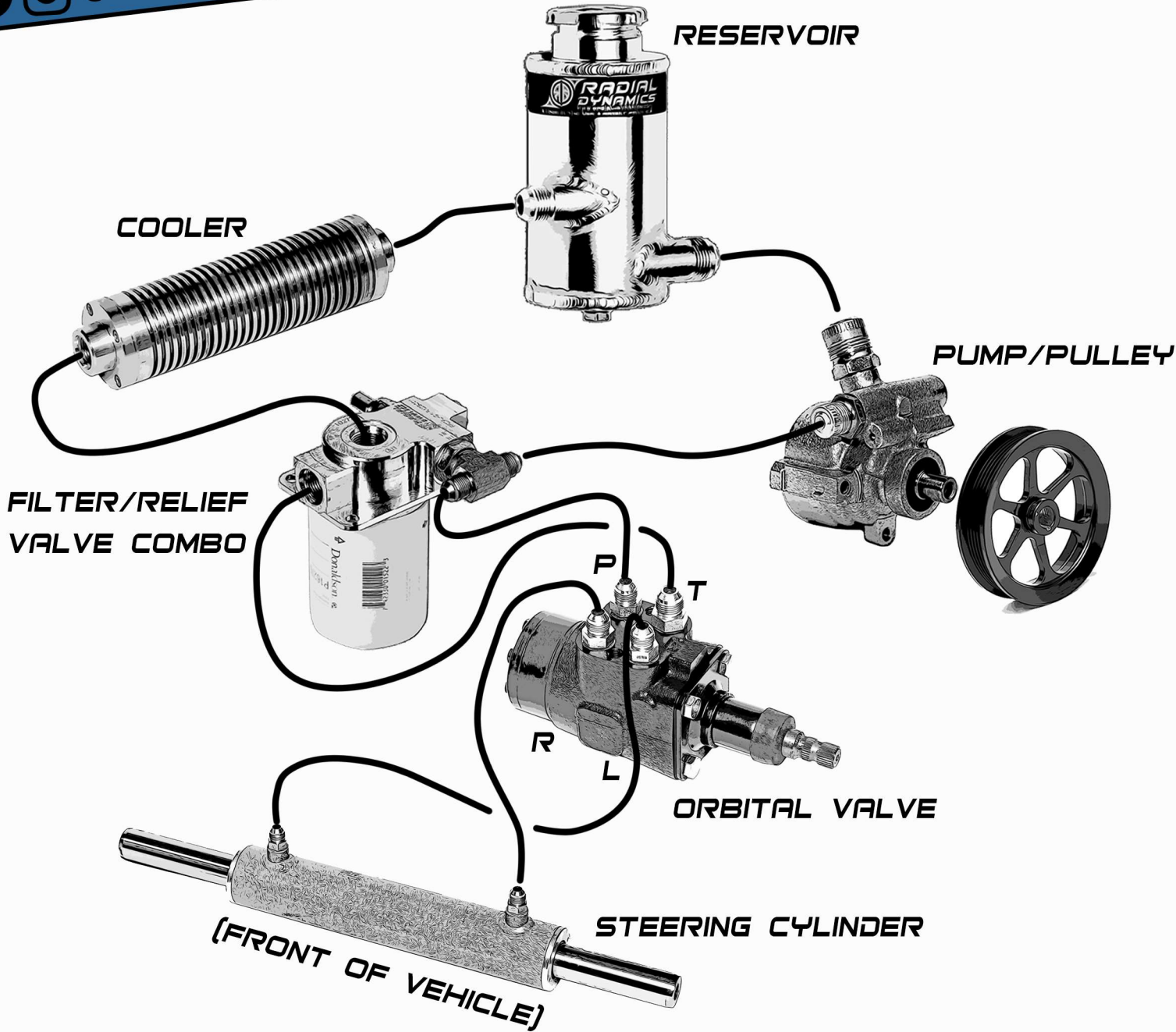


# RADIAL DYNAMICS

## PLUMBING DIAGRAM

### FULL HYDRO FRONT STEER SYSTEM W/ EXTERNAL PRESSURE RELIEF VALVE

  @RadialDynamics



**RADIAL DYNAMICS LLC**

Greenfield, MA 01301 USA

[www.radial-dynamics.com](http://www.radial-dynamics.com)

[info@radial-dynamics.com](mailto:info@radial-dynamics.com)

We are specialists in hydraulic power steering. Contact us to find out how we can assist you with custom product and system design, engineering consultation, and steering failure diagnostics.