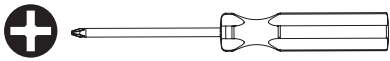


SAGITINE

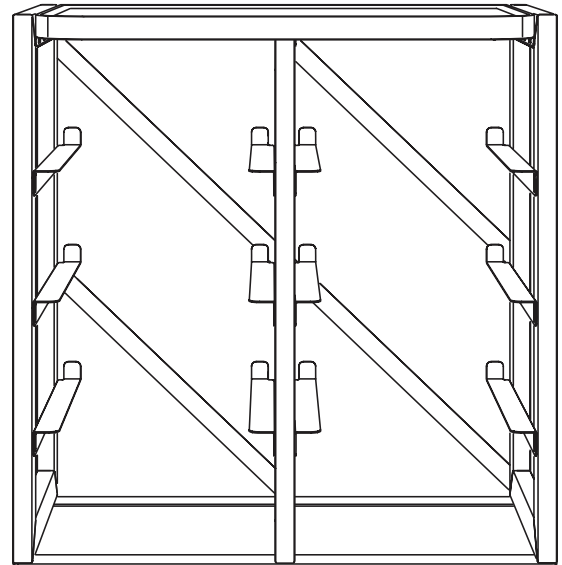
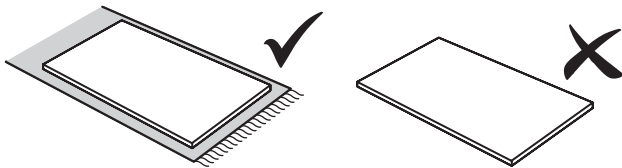
FLORENCE 8 BOX STAND ASSEMBLY INSTRUCTIONS

To complete the assembly of your Florence Stand you will need the following tools:

A No 2 Phillips Head Screwdriver

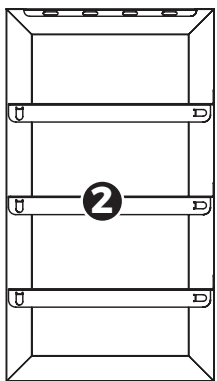


A No 4 Allen Key (Hex)

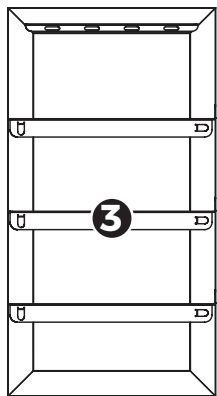


Within your delivery you'll find the following parts and hardware.

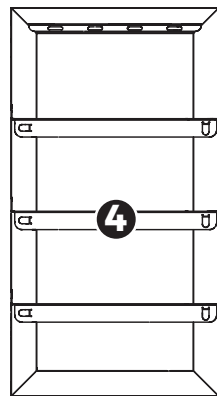
Parts:



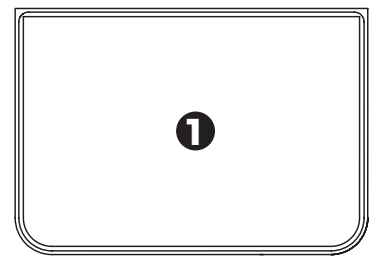
Vertical Frame
Mid **x1**



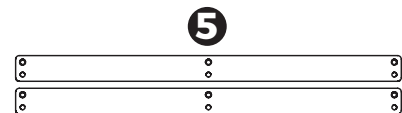
Vertical Frame
Side L **x1**



Vertical Frame
Side R **x1**



1
Timber Top **x1**



5
Base Plate **x2**



6
Rear Brace Short **x2**

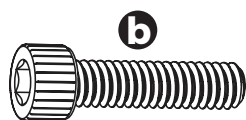


7
Rear Brace Long **x1**

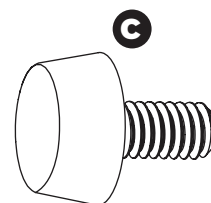
Hardware:



a
Self-tapping screws
13mm long **x12**

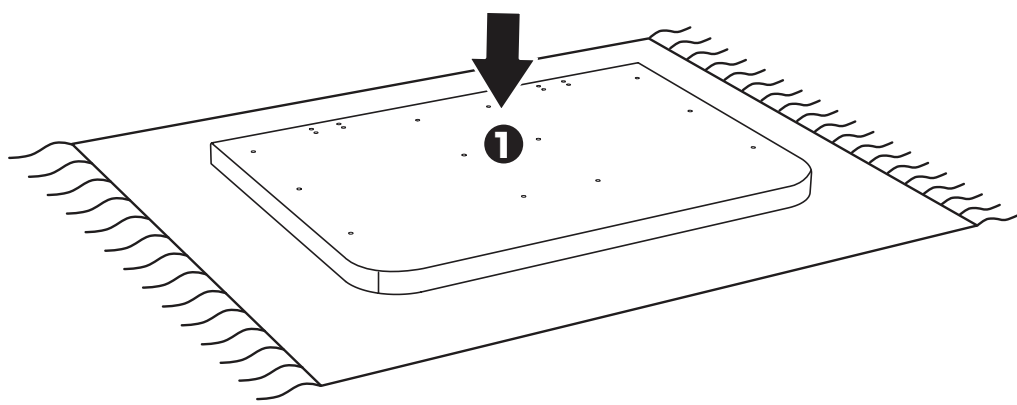


b
Machine Screws
20 mm long **x13**

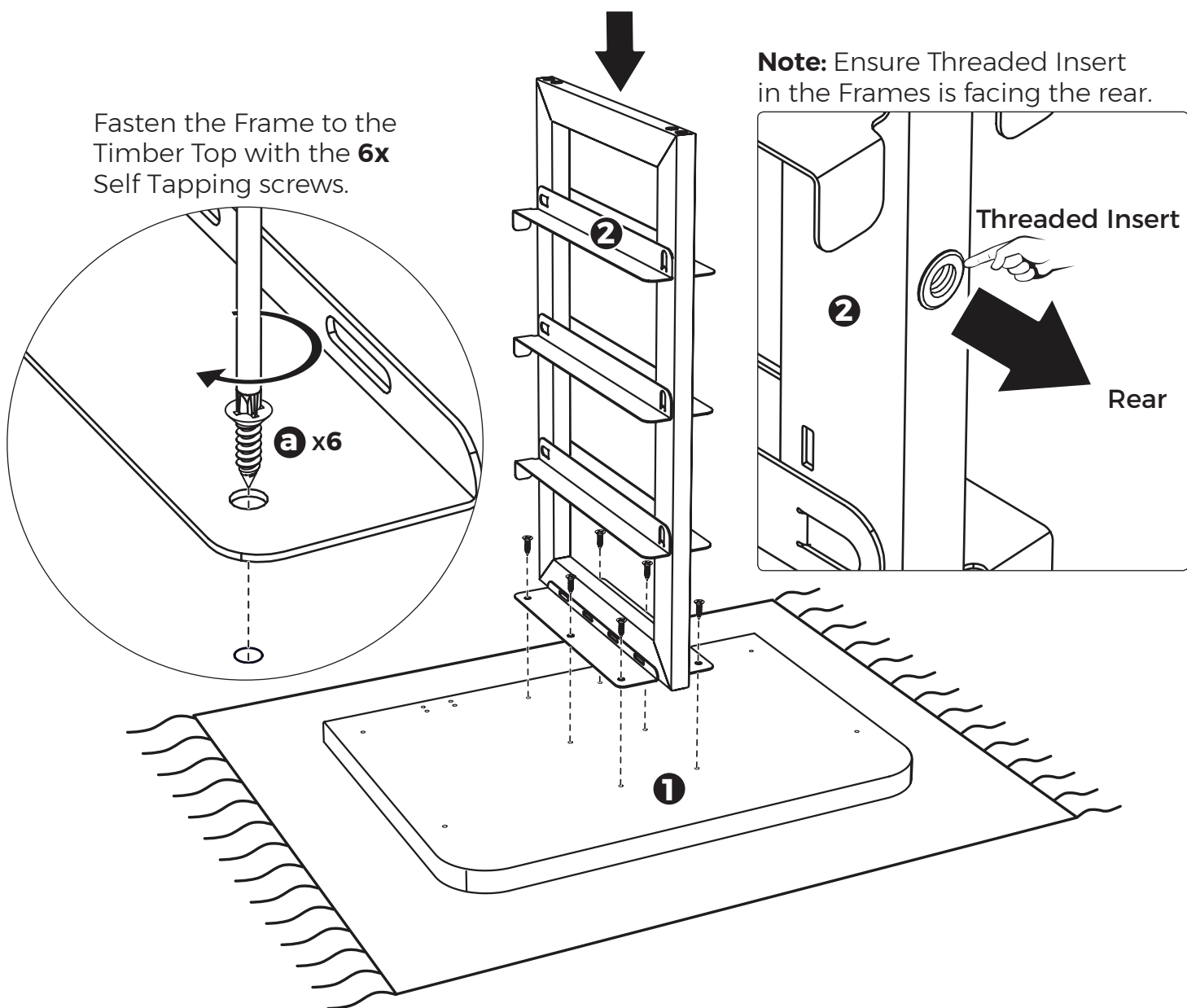


c
Screw-In Feet **x4**

Step 1 Place a clean towel or blanket on the ground first to place the Timber Top on to avoid scratching or marking the timber.
Place the Timber Top upside down on top of the towel or blanket on the ground so that the holes are showing.

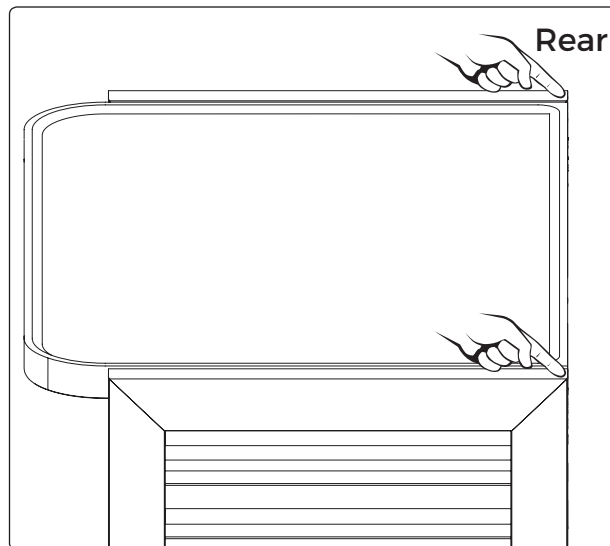
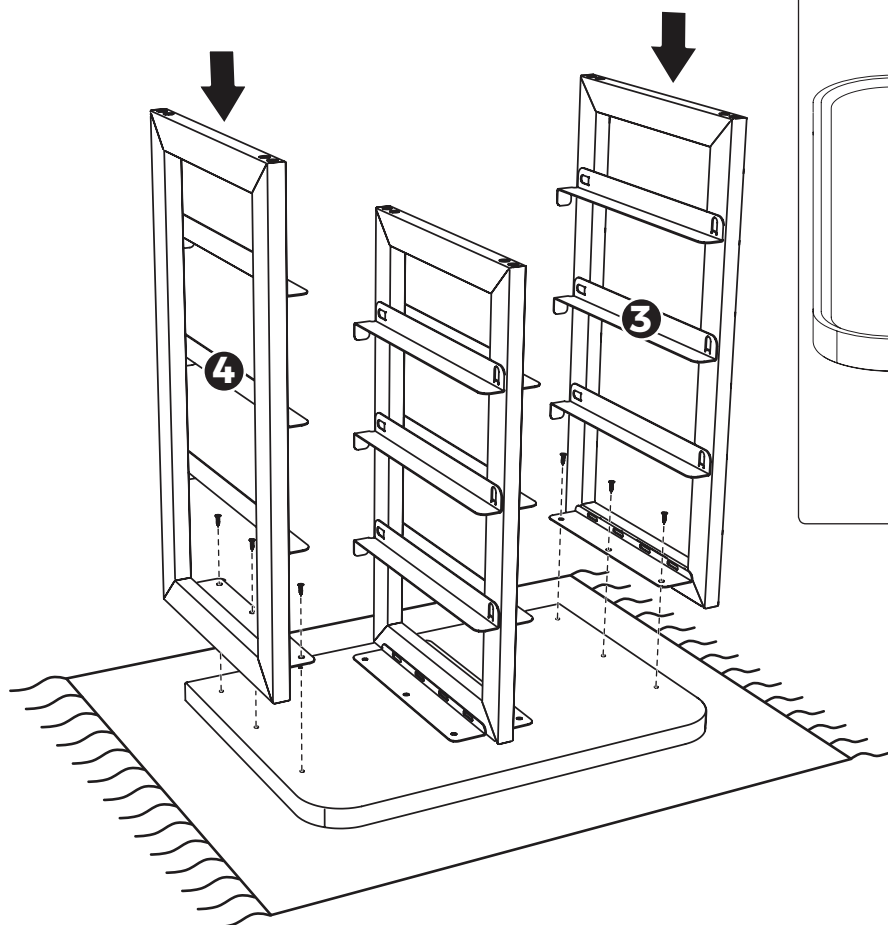


Place the Vertical Frame - Mid on top of the Timber Top making sure the holes in the timber and the brackets are aligned.



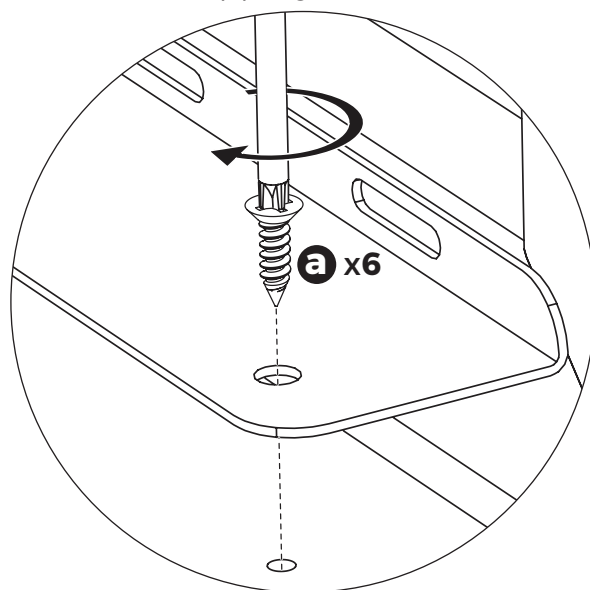
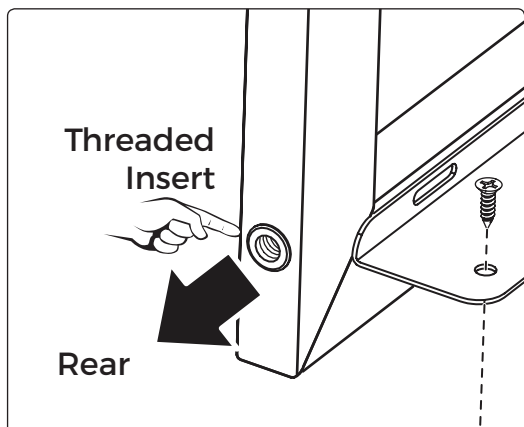
Step 2 Attach both Vertical Frames - Side L and R to the Timber Top as shown using **6x** Self Tapping screws.

Note: Ensure all Frames are in line with the rear edge of the Timber Top.

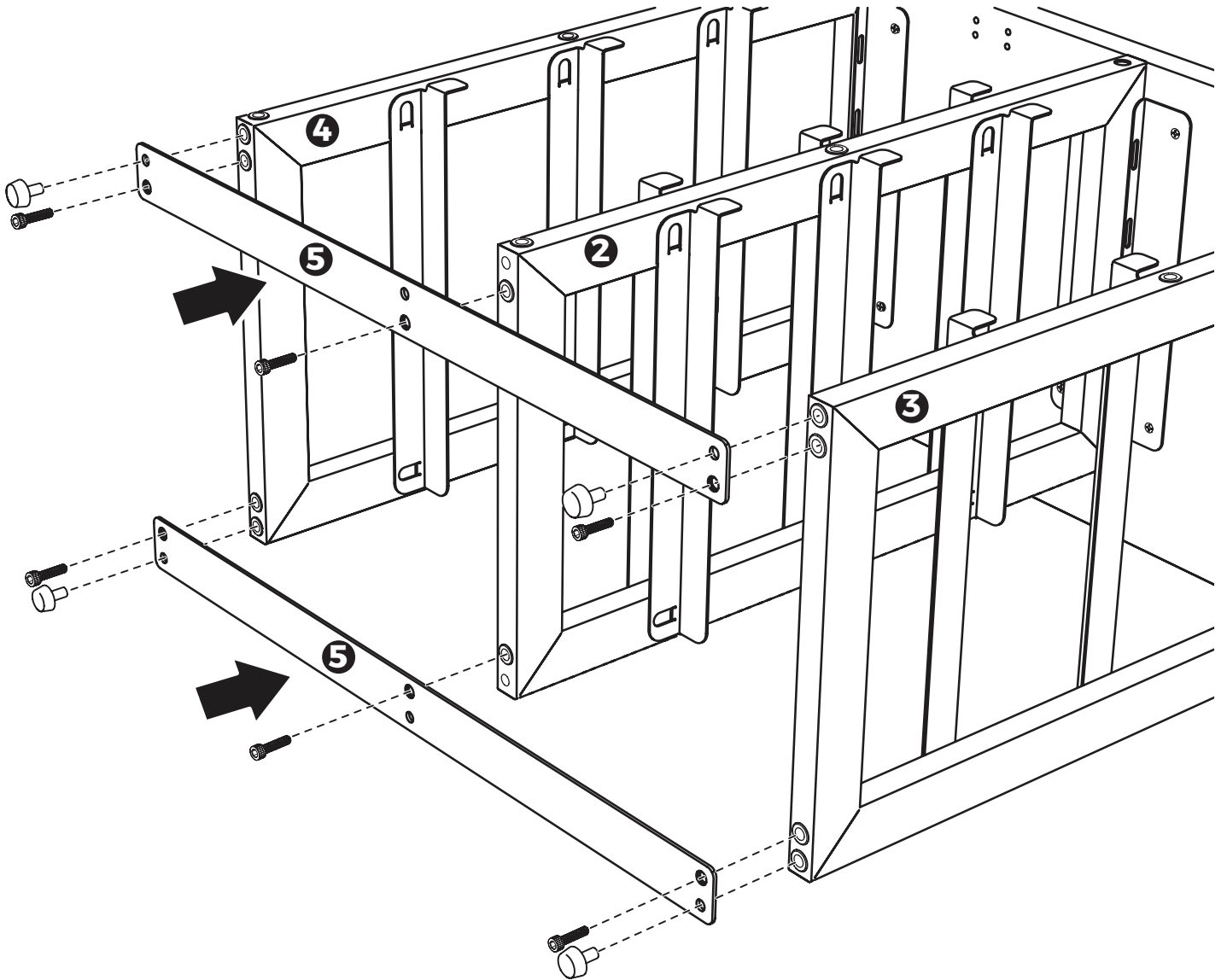


Fasten the Frame to the Timber Top with the **6x** Self Tapping screws.

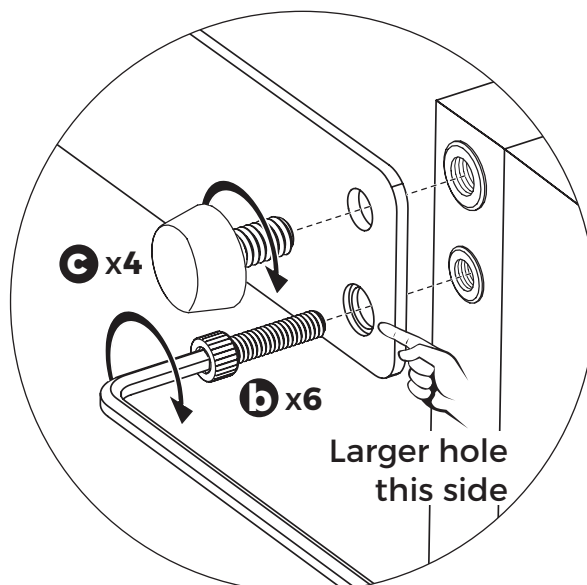
Note: Ensure Threaded Insert in the Frames is facing the rear.



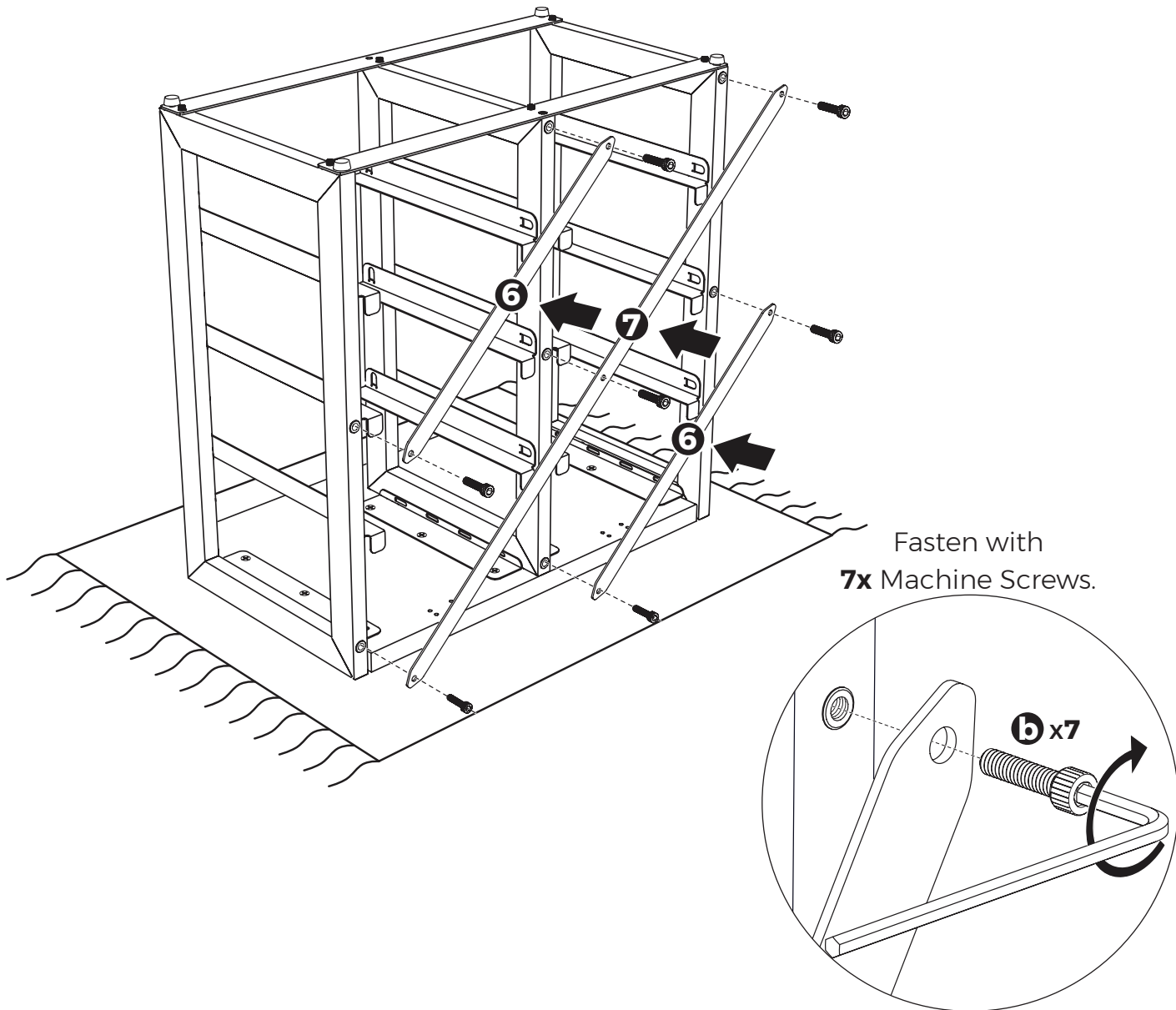
Step 3 Place the Base Plates across the three Vertical Frames as shown, aligning the holes with the Threaded Inserts.



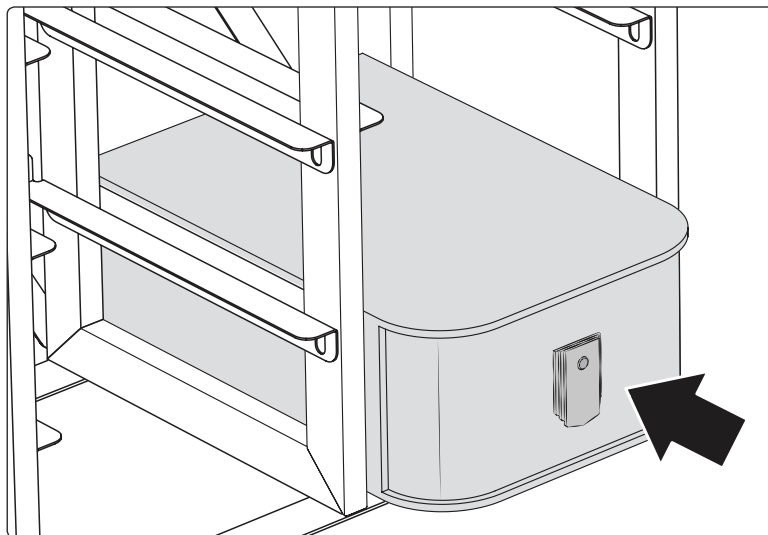
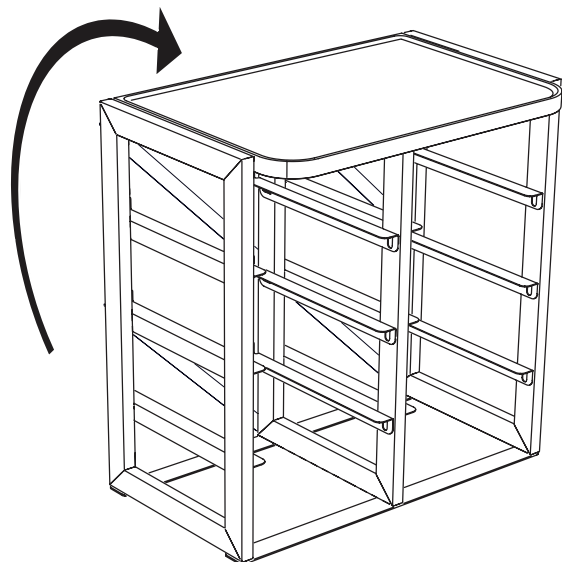
Fasten the Base Plates to the Vertical Frames with **6x** Machine Screws and **4x** Screw-In Feet.



Step 4 Install the Rear Braces by aligning holes in the brace with the Threaded Inserts in the Vertical Frames.



Flip your Florence Stand so that the Timber Top is upright, insert your 8 Milan Boxes and enjoy your new Sagitine piece.



Sagitine - Storage you want to see
www.sagitine.com