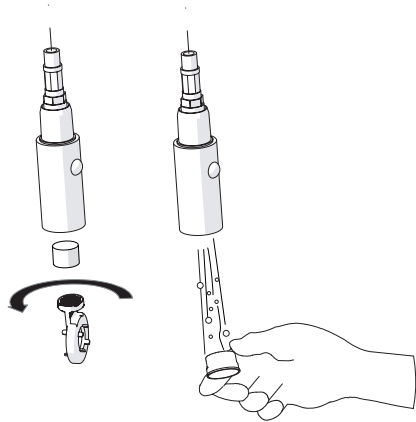


1. Remove all contents from the package and check for completeness.
2. Turn off water supply.
3. Cut a mounting hole 1" 3/8 diameter (35mm) in the desired position in counter top or sink (if one isn't available).
4. Place the rubber washer (2) over the mounting shank.
5. Install the mounting hardware to the base of the faucet body in the following order - rubber washer (3) plastic flange (4) and fixing plate (5) as illustrated
6. Secure the faucet by tightening the Fixing Nut (6) onto the mounting shank of the faucet the body (1).
7. Connect the pull out hose (8) to the pull out supply hose (7) using the quick connect fitting. Slide the quick connect fitting sleeve to the "open" position, insert the hose fitting into the connector. You should hear a "click". Slide the sleeve to the "lock" position, you should hear another a "click". This will ensure the fitting is sealed and locked.
8. Place the weight (9) on the spray hose (8) with the screws (10). Approximately 2" (50mm) above the bend in the bottom of the spray hose.
9. Connect the flexible supply hoses (11) to the water supply in the house.



10. Remove the aerator using the aerator key, turn on water, flush the faucet for any debris and check for leaks. Reinstall the aerator and ensure everything is functioning properly.

Caution: Maintenance

1. If you change the accessory, it is better for you to buy accessory in the same shop which you bought the faucet before.
2. Make sure the water source is in "TURN OFF" position when you maintain the faucet.

Cleaning Instructions:

1. Clean the faucet frequently to keep it clean.
2. Clean up with pure or soft water and dry it out with soft cloth.
3. Never clean the surface with a coarse cloth or tissue.
4. Not allowed to use any acid liquid and grinding agent to clean the surface.

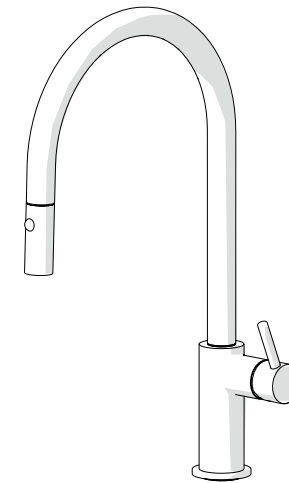
BOCCHI USA

6590 Shiloh Rd. East, Suite D,
Alpharetta, GA 30005

T. 877-565-2221

BOCCHI®

Installation Manual



2028 0001

BAVENO PULL DOWN KITCHEN FAUCET

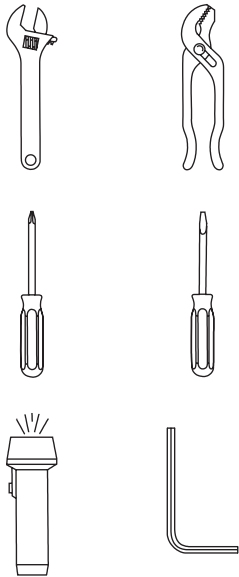
Important

In order to install more effectively, please read all information about this installation guide in detail before installation. Make sure the water source pipe without any debris to prevent blocking before installation.

Warning

Installation by a professional plumber is necessary.

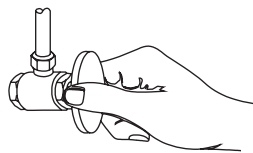
You may need tools as below:



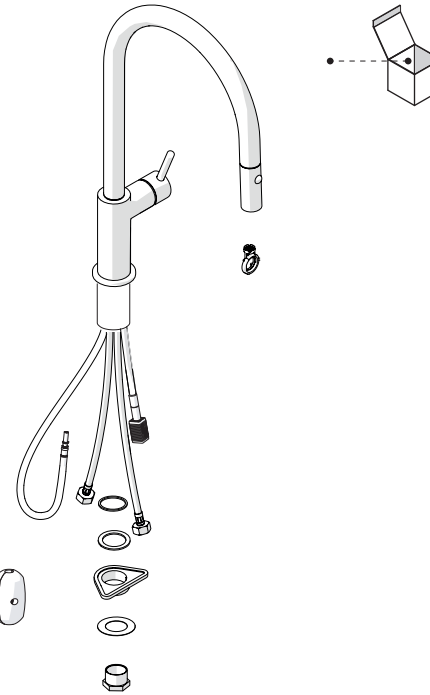
Installation Steps

1

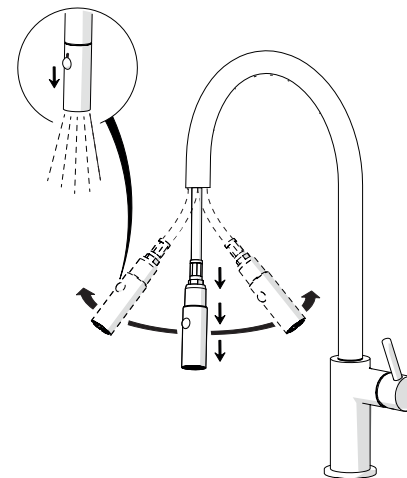
Clean the water valve outlet to remove debris. Turn off the water source valve which is usually near the water meter. If changing the previous faucet, the sink should be clean thoroughly.



2



Check each connection carefully to ensure well finish. Switch on the angle valve, turn on then turn off the faucet to check whether it has leakage



4

3

