

BOCCHI

METAL CONSOLE

STAINLESS STEEL LEGS
STAINLESS STEEL HARDWARE

Product Code

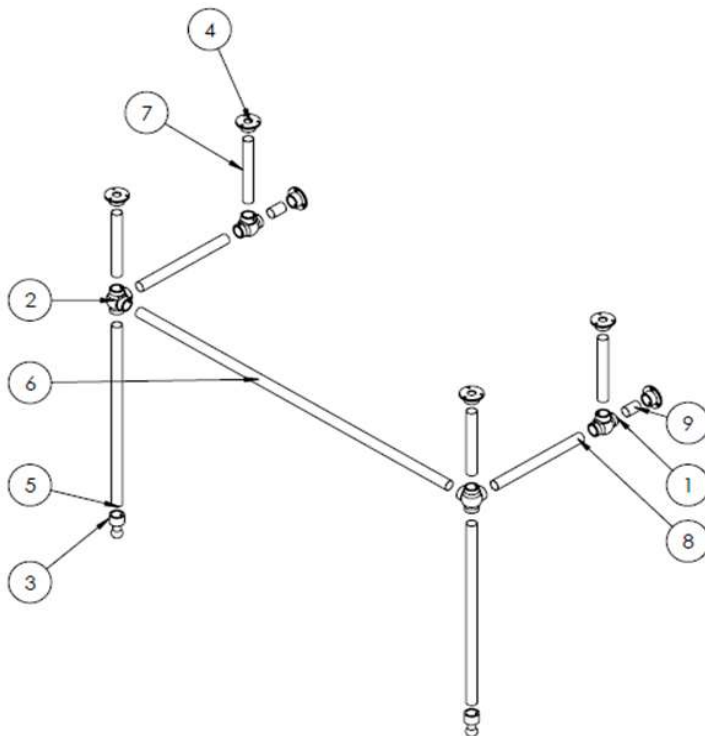
3930 0001S -0001F, -0001G

FEATURES

Stainless Steel 304
Stainless Steel Finish 0001S
Matte Black Finish 0001F
Brushed Gold Finish 0001G

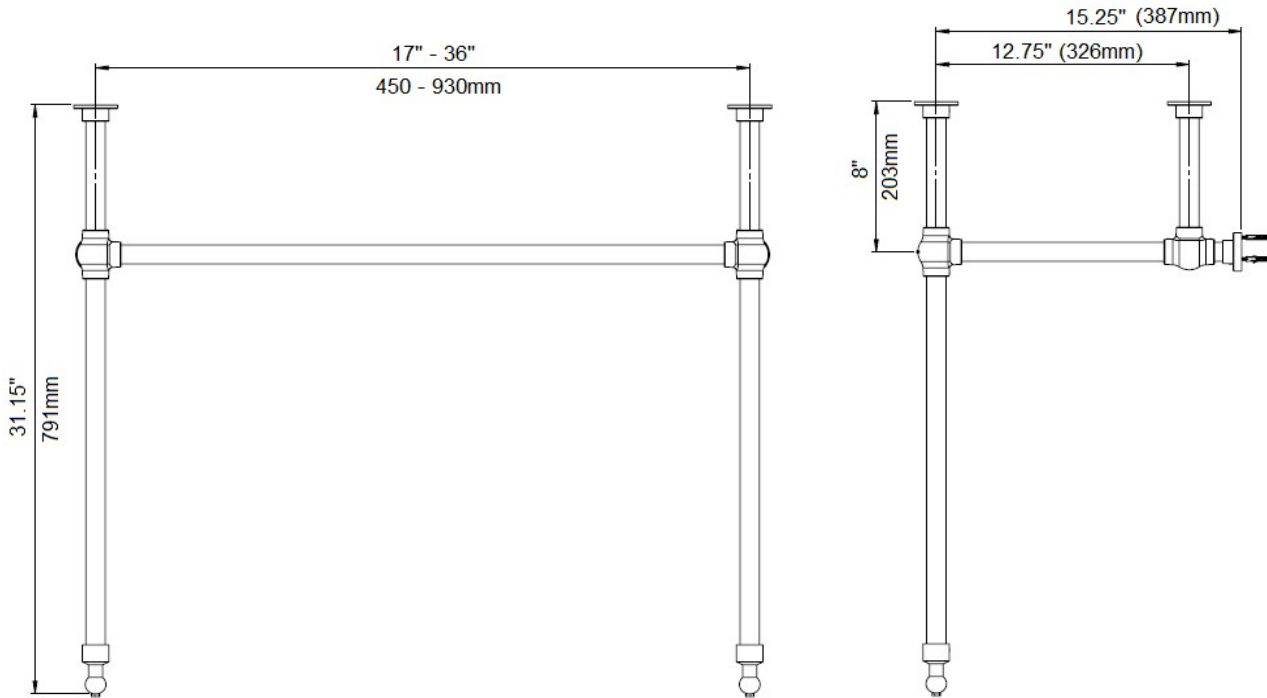
DIMENSIONS

Length: 17" to 48" (450 to 1015mm)
Width: 9" to 15.25" (230 to 387mm)
Height: 12" to 31.15" (305 to 791mm)



#	Description	No.
1	3way Tee	2
2	4way Tee	2
3	Feet	2
4	Flange	6
5	Tube 1" x 20 1/2"	2
6	Tube 1" x 45"	1
7	Tube 1" x 7"	4
8	Tube 1" x 11"	2
9	Tube 1" x 1 1/2"	2
	Screws	6

IMPORTANT: These measurements are subject to change or cancellation. No responsibility is assumed for use of superseded or voided pages. Bocchi reserves the right to make revisions without notice to product specification.



Notes:

Refer to installation instructions supplied with bathroom vessel sink installation

Due to the fireclay process, dimensions may vary. Please use the actual sink that you will be installing in order to determine the cutout dimensions.

CAUTION: Sink is heavy! Installer must provide adequate reinforcement for all load-bearing supports in accordance with installation instructions supplied with bathroom sink

IMPORTANT: Dimensions of fixtures are nominal and may vary within the range of tolerance established by ANSI standards. These measurements are subject to change or cancellation. No responsibility is assumed for use of superseded or voided pages.