

Pro Series Collection

Rectangle Single Bowl Undermount Workstation
Small Radius Corners Stainless Steel Kitchen Sink

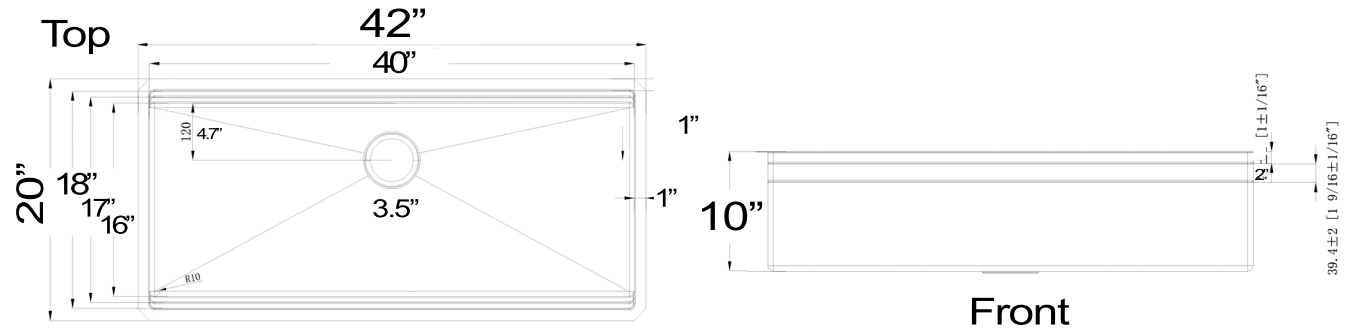
model: SR-PS-4220-16



Nantucket

SINKS

www.NantucketSinksUSA.com
info@nantucketsinksusa.com



All dimensions have a tolerance of +/- 1/16"

OVERALL DIMENSIONS	INTERIOR BOWL	BOWL DEPTH	DRAIN OPENING	CUTTING BOARD
42" x 20" x 10"	40" x 18" top / 40" x 17" mid 40" x 16" bottom basin	10"	3.5"	18" x 12" x 1"

FEATURES:

- Premium T-304, 16 Gauge Brushed Stainless Steel
- Colander Drain & Grid included with sink
- Included cutting board & roll-up mat*
 - * Fit on upper interior ledge
- Colander fits lower interior ledge
- Limited Lifetime Manufacturers Warranty
- Rubber Padding is Applied for Noise Reduction

Project Name: _____

Architect / Contractor: _____

Job Notes: _____
