

# Pro Series Collection

32 Inch Small Radius Undermount  
Stainless Steel Kitchen Sink - Offset Drain

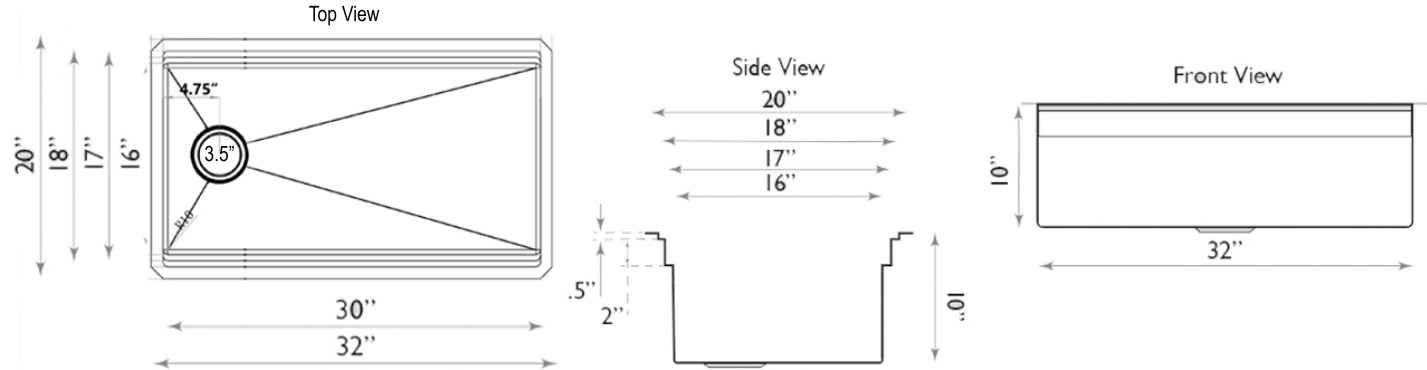
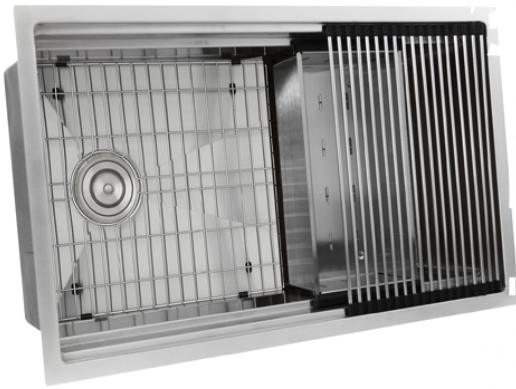
model:

**SR-PS-3220-OSD**



**Nantucket**  
S I N K S

www.NantucketSinksUSA.com  
info@nantucketsinksusa.com



OVERALL DIMENSIONS	INTERIOR BOWL	INTERIOR LEDGE DIMENSIONS	BOWL DEPTH	BOTTOM GRID
32" x 20"	30" x 16"	30" x 18"; 30" x 17"	10"	Included

## FEATURES:

- Premium 304, 16 gauge stainless steel kitchen sink
- Colander, colander drain, rolling mat and grid included
- Colander (fits 17" ledge)
- Brushed satin finish
- Limited lifetime manufacturer's warranty
- Insulated to reduce condensation
- Rubber padding is applied for noise reduction
- Undermount installation

Project Name: \_\_\_\_\_

Architect / Contractor: \_\_\_\_\_

Job Notes: \_\_\_\_\_

\_\_\_\_\_

\_\_\_\_\_