

# Brightwork Collection

Hand-Hammered Copper Square Dualmount Bar / Prep Sink

model:

**SQRC-7PS**

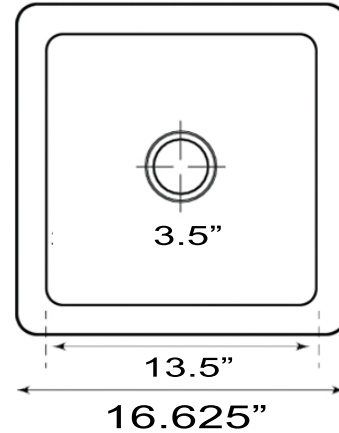


**Nantucket**  
S I N K S

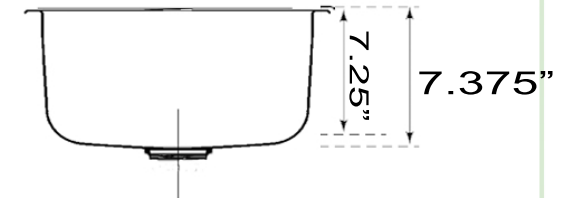
www.NantucketSinksUSA.com  
info@nantucketsinksusa.com



Top View



Side View



OVERALL DIMENSIONS	INTERIOR BOWL	BOWL DEPTH	DRAIN OPENING	OVERFLOW
16.625" Square	13.5" Square	7.375"(ext.); 7.25"(int.)	3.5" Opening	NO

## FEATURES:

- Premium copper hand-hammered bar sink
- Handmade - individual variations will exist
- No overflow
- 16 Gauge
- Unlacquered Patina is possible right away if not waxed
- Compatible wood cutting board included with sink
- Limited manufacturer's warranty
- Special care & maintenance required
- Nominal dimensions - actual may vary up to .25"
- Professional installation recommended
- Drain sold separately

Project Name: \_\_\_\_\_

Architect / Contractor: \_\_\_\_\_

Job Notes: \_\_\_\_\_

\_\_\_\_\_

\_\_\_\_\_