

# RVU6022

TOPMOUNT LAUNDRY SINK

# RUVATI®

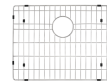
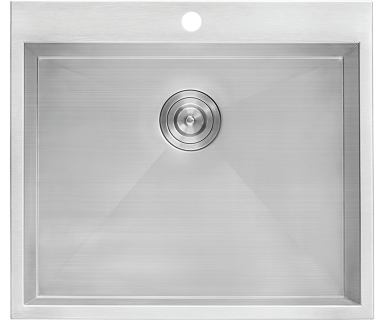
SPECIFICATION SHEET

## MATERIAL

- True 16 Gauge Thickness
- Premium T304 Grade Stainless Steel
- 18/10 Chromium/Nickel Content
- Commercial Brushed Finish

## FEATURES

- Heavy duty sound guard padding and undercoating
- Slanted bottom with elegant drain grooves for easy draining
- Extra deep sink for utility room



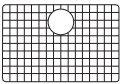
## IN THE BOX



Basket Strainer  
[RVA1025]



Mounting Clips  
[RVA11042]



Rinse Grid  
[RVA66022]



Cut-out  
Template

## NOMINAL DIMENSIONS

- Exterior:** 22" (wide) x 22" (front-to-back)
- Interior Bowl:** 20" (wide) x 18" (front-to-back)
- Bowl Depth:** 12"
- Minimum Cabinet Size:** 24" wide
- Drain Hole Size:** 3½"

## Installation Type:

Topmount

## Inside Corners:

Zero Radius

## Drain Location:

Rear Center

# RUVATI USA

www.ruvati.com

Phone: 1.855.478.8284  
Email: support@ruvati.com

# OPTIONAL ACCESSORIES (SOLD SEPARATELY)

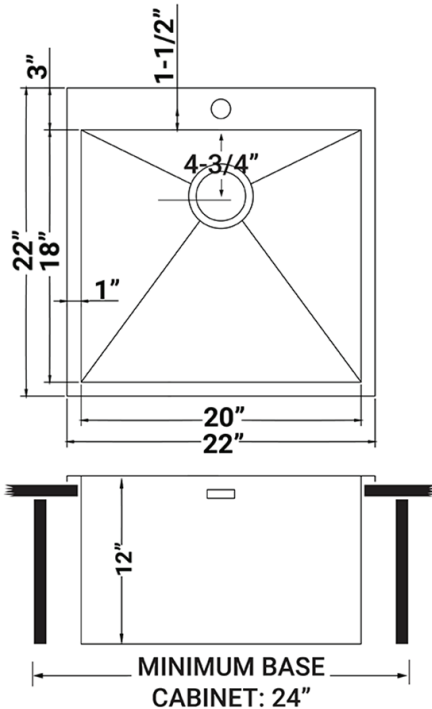


Deep Basket  
Disposal Flange  
[RVA1049ST]



Drain Cover  
[RVA1035]

## DIMENSIONS



Register your product at [www.ruvati.com/register](http://www.ruvati.com/register).