

BOCCHI

SOTTO 33D

DUAL MOUNT DOUBLE BOWL KITCHEN SINK



Product Code

1506-XXX-0120

FEATURES

- Fine fireclay construction
- 60/40 split double bowl
- 3-1/2" center drains
- Stainless steel bottom sink racks and chrome strainers included
- Compatible with standard garbage disposal flanges, extenders not required
- May be undermounted, OR installed as a drop-in, OR installed with an 11/16" reveal to use with select accessories
- Requires support frame in cabinetry

Standard Colors

White (001), Biscuit (014)

Premium Colors

Matte White (002), Matte Black (004), Black (005), Matte Gray (006), Sapphire Blue (010), Matte Dark Gray (020), Matte Brown (025)

DIMENSIONS

NOMINAL DIMENSIONS

33"X22"X10"

BOWL INSIDE DIMENSIONS

18" wide (left basin) / 11" wide (right basin) x
19" long (left basin) / 16" long (right basin) x
9.5" deep (left basin) / 7.7" deep (right basin)

COMPONENTS INCLUDED THE BOX

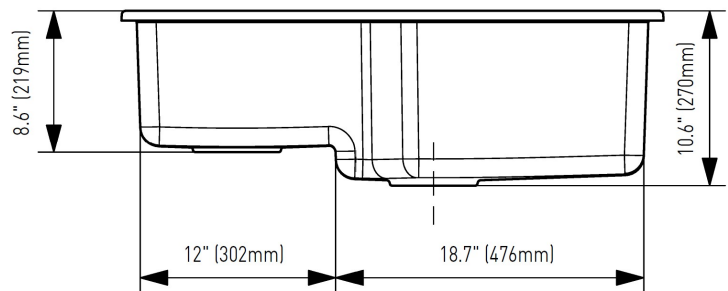
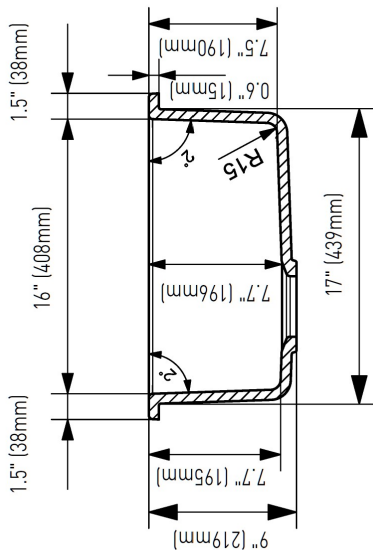
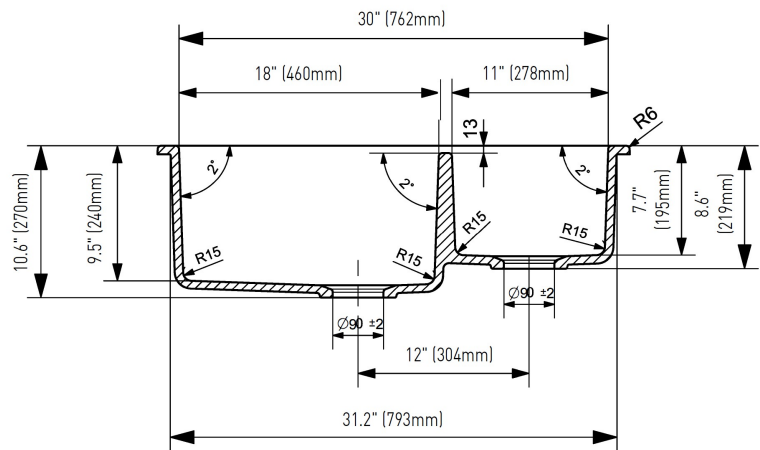
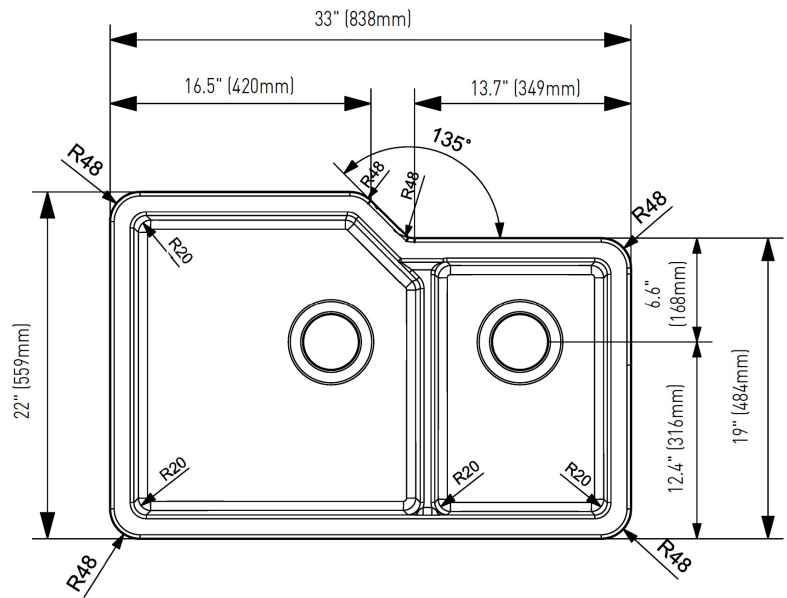
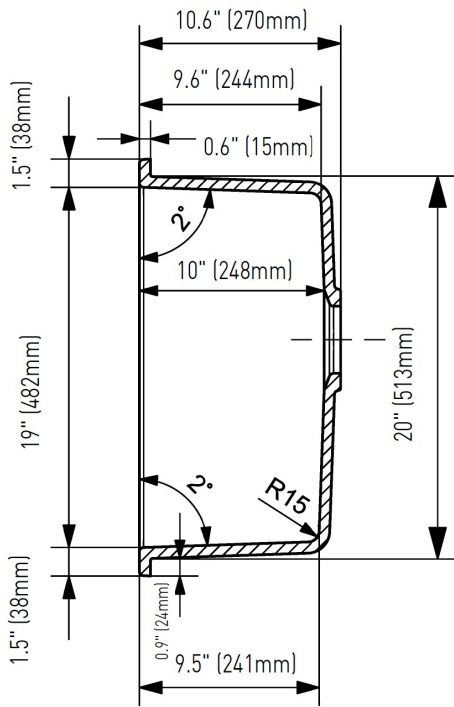
2300 0042 and 2300 0034

SS SINK RACKS - CHROME (1pc each)

2330 0001 - SINK STRAINERS - CHROME (2pc)

COMPLIANCE CERTIFICATIONS

Meet or Exceeds ASME A112.19.2 / CSA B45.1



NOTES:

Refer to installation instructions supplied with kitchen sink for undermount, countertop or above counter custom installations.

Due to the fireclay process, dimensions may vary. Please use the actual sink that you will be installing in order to determine the cutout dimensions for your countertop.

CAUTION: Sink is heavy! Installer must provide adequate reinforcement for all load-bearing supports in accordance with installation instructions supplied with kitchen sink.

Fittings not included with fixture and must be ordered separately.

IMPORTANT: Dimensions of fixtures are nominal and may vary within the range of tolerance established by ANSI standards. These measurements are subject to change or cancellation. No responsibility is assumed for use of superseded or voided pages.