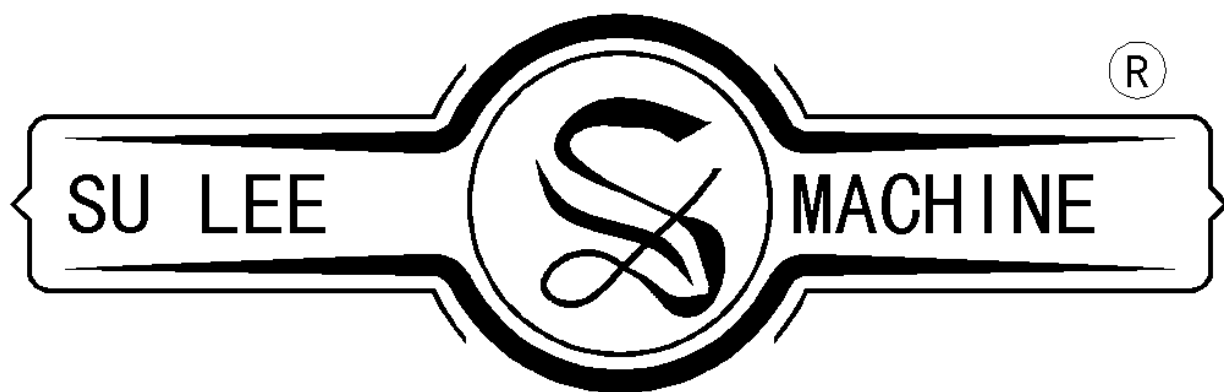


SU LEE
ROUND KNIFE CUTTER
Model:RC-280



INSTRUCTION BOOK AND PARTS LIST



速利機械工業有限公司

SU LEE MACHINE IND.CO.,LTD.

地址： 臺灣省臺北市北投區磺港路 190 號

NO.190,HWANG GANG RD.,BEITOU,TAIBEI,TAIWAN.

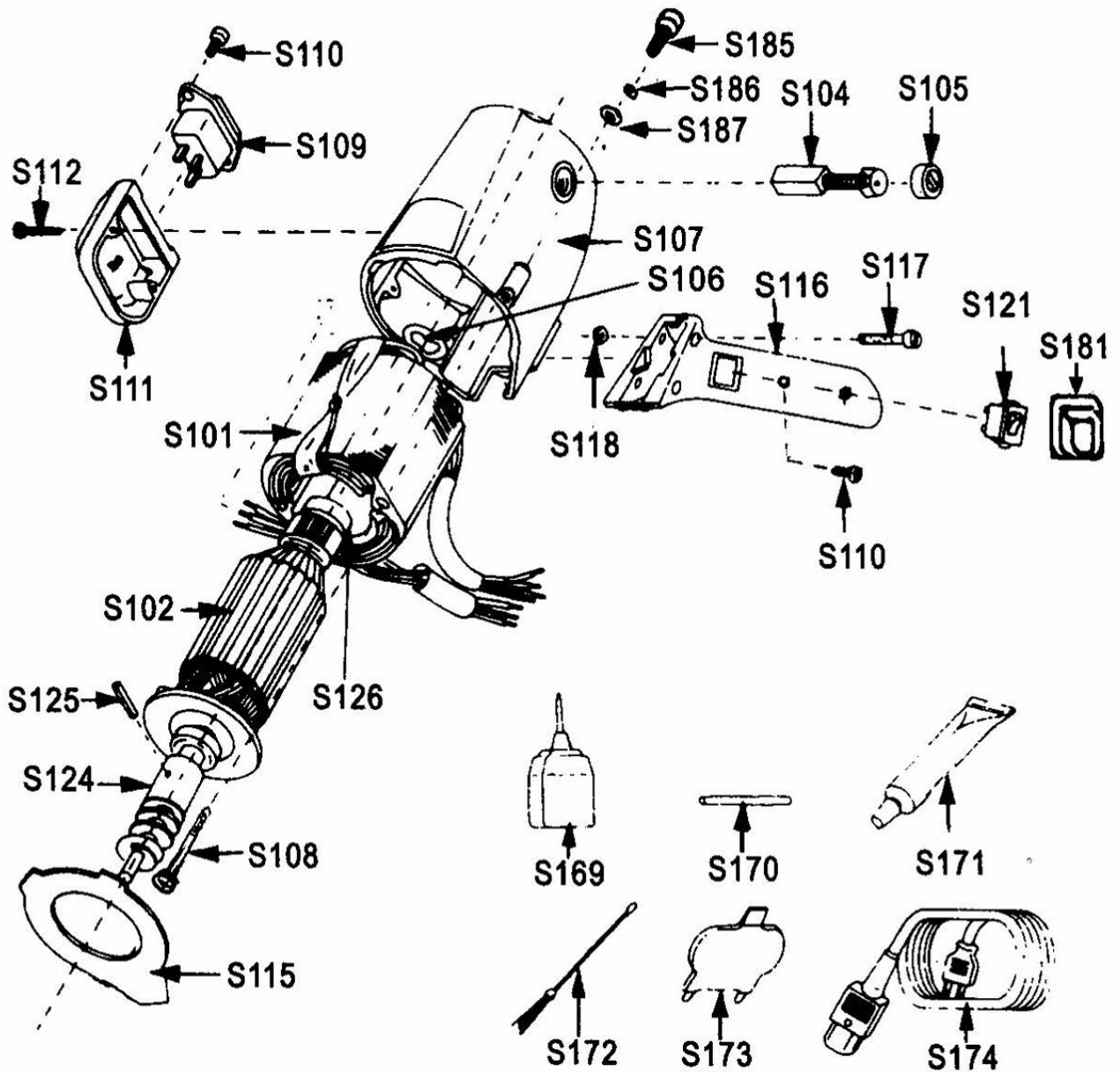
TEL: (886 2)28914693 28927700

FAX: (886 2)28940855

E-mail: sulee1@ms11.hinet.net

Http: www.sule.com.tw

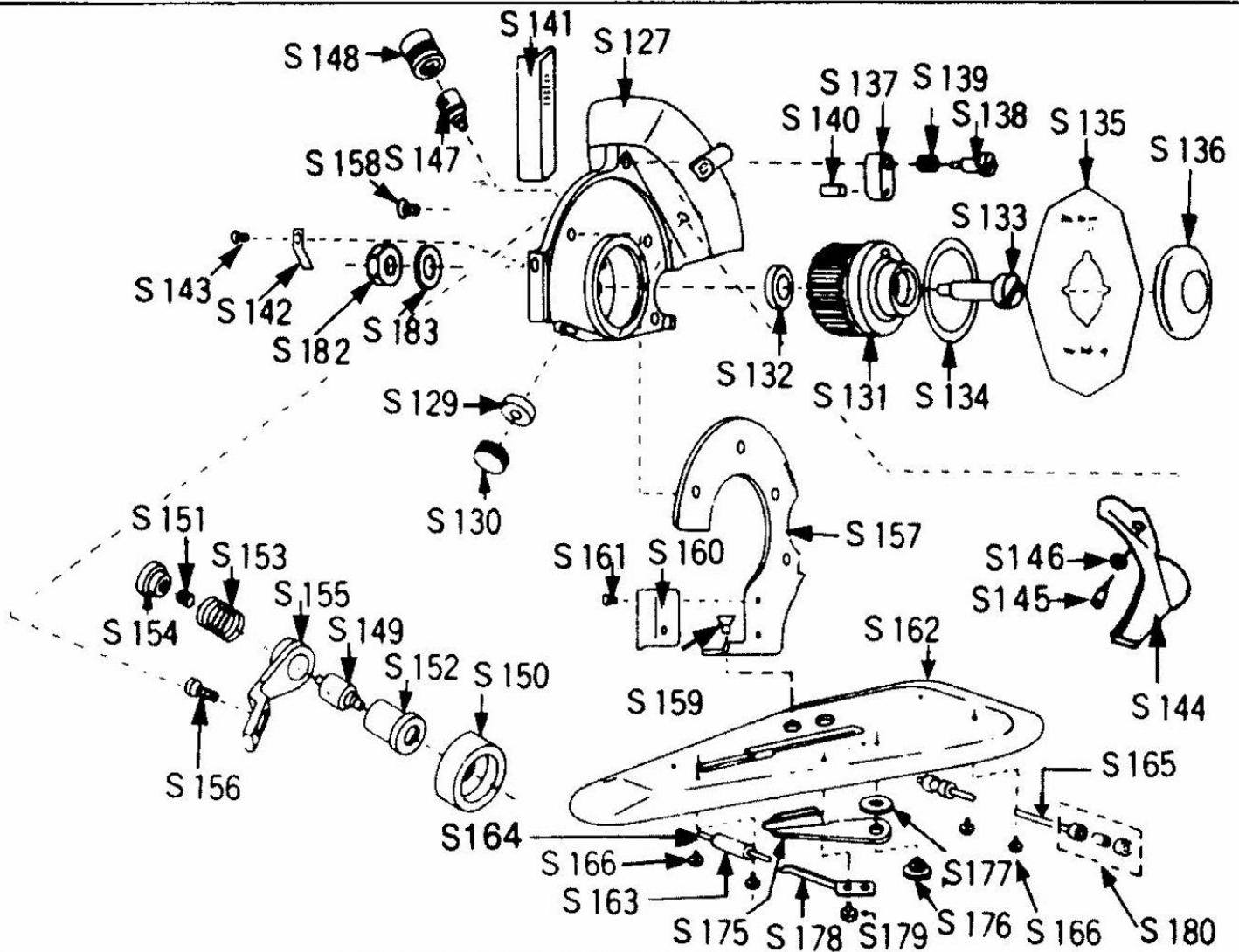
MOTOR ASSEMBLY & ACCESSORIES



Other standard accessories:

- Knife(S135) 1 pc.
- Carbon brush(S104) 1 set.
- Grinding wheel(S150) 1 pc.
- Knife oiler felt(S140) 1 pc.

STANDARD & BASE ASSEMBLY



PART NO.	PART NAME	零件名稱
S-101	Stator	定子線圈
S-102	Rotor	轉子線圈
S-104	Carbon Brush	碳刷
S-105	Cap for carbon Brush	碳刷蓋
S-106	Wave Washer	波型彈簧華司
S-107	Motor Cover	馬達殼
S-108	Screw for Stator	定子固定螺絲
S-109	Terminal	插座
S-110	Screw for Terminal	插座螺絲
S-111	Terminal Box	插座盒

PART NO.	PART NAME	零件名稱
S-112	Screw for T.BOX	插座盒螺絲
S-115	Air Guide	空氣導流片
S-116	Drive Handle	手把
S-117	Screw for Handle	手把螺絲
S-118	Nut for Handle	手把螺帽
S-120	Screw for Cover	手把螺絲
S-121	Switch	開關
S-124	Drive Gear	蝸桿
S-125	Roll Pin	彈簧柱
S-126	Bearing	培林
S-127	Gear Box	齒輪箱
S-129	Drive Gear Metal	蝸桿金屬圈
S-130	Cover for Metal	金屬圈蓋
S-131	Knife Gear	刀片齒輪
S-132	Washer for Gear	齒輪華司
S-133	Screw for Gear	齒輪螺絲
S-134	Ring for Gear	齒輪油封
S-135	Knife (8-sided) ※ Round (option)	8角刀
S-136	Lock Nut for Knife	刀片螺帽
S-137	Knife Oiler	刀片加油器
S-138	Screw for Oiler	加油器螺絲
S-139	Spring for Oiler	加油器彈簧
S-140	Oil Felt	油氈
S-141	Knife Guard	前護片
S-142	Spring for Guard	彈簧片
S-143	Screw for Spring	彈簧片螺絲
S-144	Safety Plate	側護片
S-145	Screw for Plate	側護片螺絲
S-146	Spring Washer for Plate	側護片華司
S-147	Grease Cup	黃油杯
S-148	Cap for Grease Cup	黃油杯蓋
S-149	Grinder Shaft	磨刀石軸心
S-150	Emery Wheel	砂輪
S-151	Grinder Spring	磨石彈簧

PART NO.	PART NAME	零件名稱
S-152	Grinder Collar	磨石套管
S-153	Spring for Collar	套管彈簧
S-154	Sharpening Switch	研磨按鈕
S-155	Grinder Arm	磨刀石架
S-156	Screw for Grinder Arm	磨刀石組螺絲
S-157	Standard	基座
S-158	Screw for Standard (upside)	基座上螺絲
S-159	Screw for Standard (bottom)	基座下螺絲
S-160	Guide Plate	導引片
S-161	Screw for Guide Plate	導引片螺絲
S-162	Base Plate	底盤
S-163	Front Roller	前輪
S-164	Roller Shaft (front)	前輪軸
S-165	Roller Shaft (rear)	後輪軸
S-166	Screw for Roller Shaft	輪軸螺絲
S-169	Oiler	油壺
S-170	Lock Shaft	鎖心
S-171	Grease	黃油
S-172	Cleaning Brush	清潔刷
S-173	Wrench	扳手
S-174	Code Complete with earth	電源線
S-175	Lower Blade	下刀
S-176	Screw for Lower Blade	下刀螺絲
S-177	Washer for Lower Blade	下刀華司
S-178	Pressure Spring for Lower Blade	下刀彈簧
S-179	Screw for Pressure Spring	下刀彈簧螺絲
S-180	Rear Roller Set	後輪組
S-181	SWITCH Cap.	S-181開關護蓋
S-182	Nut for Knife Gear Screw	S-133之螺母
S-183	Washer for Knife Gear Screw	S-133之螺母華司
S-185	Screw for Motor	馬達螺絲
S-186	Spring Washer for Motor	馬達彈華司
S-187	Washer for Motor	馬達平華司

INSTRUCTION MANUAL

Before cutting, connect the attachment code to the machine and grind the knife edge sharp by pushing the spring loaded projection grinding switch (B) for several times.

CHECKING (Release connecting plugs)

A. Greasing

1. Every 50 hours Give small quantity grease thru grease cup and turn the cap (A) in.
2. Every 150 hours Release cap (A) and fill the grease.

B. Lubrication

- Every 10-20 hours Give oil to knife oiler (D) until oil comes in contact with the surface of knife edge.

C. Adjustment of Re-Sharpener

While the grinding wheel wears, loosen stop nut of resharpening-arm (J) and rectify the resharpening position so as to the grinding wheel keeps proper contact with the knife edge.

D. Replacement of Grinding Wheel

★ See Grinding Wheel Replacement Guide

E. Replacement of knife

1. Remove the knife guard (E) to upward direction.
2. Pull the spring loaded knife oiler (D) and turn right angle to arrow indication.
3. Remove safety plate (I) releasing lock nut (H).
4. Remove knife lock lock nut (C) by turning it left Use the wrench attached. (If the knife also turns together with lock nut lock the knife to the standard inseting lock shaft to hole in the knife (L) The corresponding hole for locking knife is also provided in the standard)
5. Remove knife.
6. Be sure the front face of the knife when re-setting the knife "SULEE RC-280" marked face is the front face.
7. Adjust the position of re-sharpener (K) after each replacement of knife.

F. Replacement of Carbon Brush

1. Too much weaving of carbon brush will cause motor troubles. Carbon brush must be replaced when it wears to 5-6mm.
2. Carbon brush cap (G) is replaced by turning it left by attached wrench.
3. Always replace right and left carbon brushes simultaneously.
4. Be sure to hold metallic part of the brush. keep fingers away from carbon.

Caution:

1. For safety purpose, retain the knife guard (E) at the lowest location while the machine is not applied Also keep the guard closest possible to the work while cutting.
2. Connect earth wire for safety.

SPECIFICATIONS:

Knife Size	: 100mm
Knife Shape	: 8 sides
Cutting Capacity	: 25mm(1")
Net Weight:	: 2.9kgs
Voltage	: Single Phase 100V-120V 220V-240V
Power	: 100W



DOUBLE INSULATE

使用說明

欲使用前，先將電源線插上，將開關(F)打開ON，機械開始動作，再將磨石按鈕(B)壓下，磨刀數回，使刀片銳利，即可使用。

保養與檢修(注意：將插頭拔掉)

A 加油(齒輪油)

- 1) 每使用50小時：轉動油杯蓋(A)，即可壓入少量齒輪油。
- 2) 每使用150小時：打開油杯蓋(A)，重新補充滿齒輪油後蓋上即可。

B 加油(機油)

每使用10~20小時：加油到刀片注油器(D)直到油滲透到刀片表面即可。

C 磨刀石調整方法

當砂輪磨損時，將磨刀石架螺絲放鬆，調整磨刀石的位置，使砂輪與刀片的邊緣保持正確的接觸，再將螺絲旋緊即可。

D 砂輪的更換：

請看圖解：砂輪的更換。

E 刀片的更換：

1. 將前護片(E)向上抽取出。
2. 拉出圓刀加油器(D)後，向右旋轉90°。
3. 旋開側護片螺絲(H)，將側護片(I)取下。
4. 使用S-173扳手將刀片鎖螺螺母依反時鐘方向轉開。如果刀片同螺母一起轉動時，使用S-170插入(L)洞內，使刀片卡鎖在基座上，不會轉動，再轉下刀片螺母即可。
5. 取下刀片。
6. 裝刀片時請確定刀片上印有“SU LEE RC-280”字樣的一面，即正面朝向外面，人可看到。
7. 每次更換刀片後，須將磨刀石(K)重新調整至適當位置。

F 碳刷的更換：

1. 碳刷磨損太多時可能會損壞馬達，當碳刷磨損到長度剩5~6mm時，即須更換。
2. 只須將碳刷蓋(G)轉開，即可取出舊碳刷，再將新碳刷置入，將碳刷蓋旋上即可。
3. 通常更換碳刷時，請將左、右二個同時更換。
4. 裝入時，請確定碳刷有接觸在金屬整流子上，勿用手碰碳棒。

注意事項：

1. 機器未使用時，請將刀片安全護片(E)放置最低位置，使用時請放置於最接近裁切物面，以確保安全。
2. 安全的電氣地線是以安全為原則。

規格：

刀片尺寸：100 $\frac{1}{8}$ "(4吋)

刀片形狀：8角

裁斷能力：25 $\frac{1}{8}$ "(1吋)

重量：2.9kg

電壓：單相100V~120V
220V~240V

輸出功率：100W

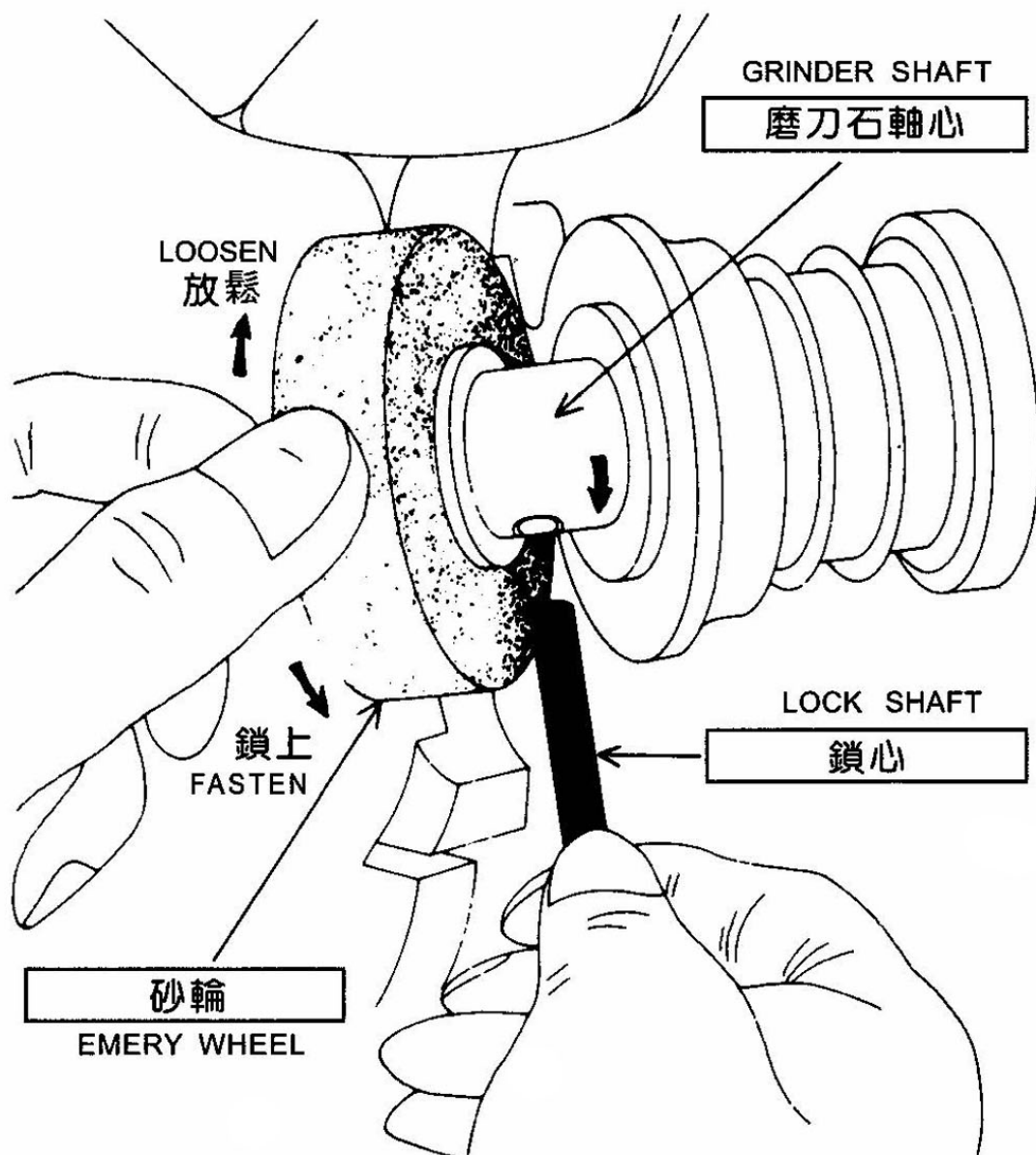


雙重絕緣

☆生產者保留變更規格不另行通知之權*

GRINDING WHEEL REPLACEMENT GUIDE

砂輪交換圖



用手握住砂輪，將鎖心插入磨刀石軸心洞內，用手將砂輪依圖所示方向旋開取下，換上新砂輪旋緊即可。

OPERATION-LUBRICATION-CARE

MODEL RC-280

