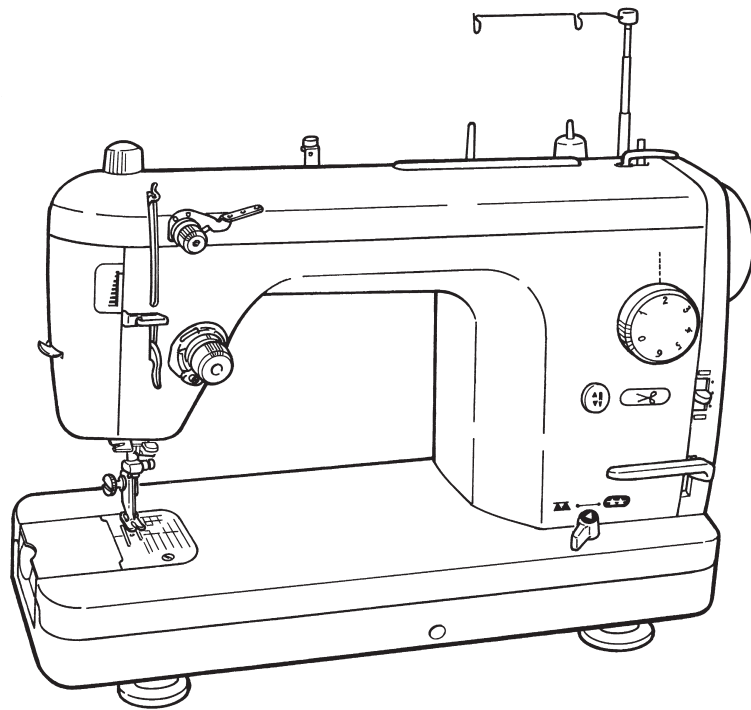


Sewing machine for professional use
Máquina de coser para uso profesional
Machine à coudre à usage professionnel

TL-2200QVP Mini

INSTRUCTION MANUAL MANUAL DE INSTRUCCIONES MANUEL D'INSTRUCTIONS

**EN****ES****FR****IMPORTANT:**

Read all safety regulations carefully and understand them before using your sewing machine.
Retain this instruction manual for future reference.

IMPORTANTE:

Lea cuidadosamente todas las recomendaciones con respecto a la seguridad y comprendalas perfectamente antes de usar su maquina. Guarde este libro de instrucciones para referencias futuras.

IMPORTANT:

Avant de mettre la machine en marche, lire attentivement et assimiler les règles de sécurité de ce manuel. Conserver le manuel afin de pouvoir le consulter ultérieurement.

“IMPORTANT SAFETY INSTRUCTIONS”

When using an electrical appliance, basic safety precautions should always be followed, including the following: Read all instructions before using this sewing machine.

“DANGER ____ To reduce the risk of electric shock:”


1. The appliance should never be left unattended when plugged in.
2. Always unplug this appliance from the electric outlet immediately after using and before cleaning.

“WARNING ____ To reduce the risk of burns, fire, electric shock, or injury to persons:”

1. Do not allow this appliance to be used as a toy. Close attention is necessary when this appliance is used by or near children. This appliance can be used by children aged from 8 years and above and persons with reduced physical, sensory or mental capabilities or lack of experience and knowledge if they have been given supervision or instruction concerning use of the appliance in a safe way and understand the hazards involved. Children shall not play with the appliance. Cleaning and user maintenance shall not be made by children without supervision.
2. Use this appliance only for its intended use as described in this manual. Use only attachments recommended by the manufacturer as contained in this manual.
3. Never operate this appliance if it has a damaged cord or plug, if it is not working properly, if it has been dropped or damaged, or dropped into water. Return the appliance to the nearest authorized dealer or service center for examination, repair, electrical or mechanical adjustment.
4. Never operate the appliance with any air openings blocked. Keep ventilation openings of the sewing machine and foot control free from the accumulation of lint, dust, and loose cloth.
5. Keep fingers away from all moving parts. Special care is required around the sewing machine needle.
6. Always use the proper stitch plate. The wrong plate can cause the needle to break.
7. Do not use bent needles.
8. Do not pull or push fabric while stitching. It may deflect the needle causing it to break.
9. Switch the sewing machine off “O” when making any adjustments in the needle area, such as threading needle, changing needle, threading bobbin, or changing presser foot.
10. Always unplug the machine from the electrical outlet when removing covers, when lubricating or when making any other user servicing adjustments mentioned in the instruction manual.
11. Never drop or insert any object into any opening.
12. Do not use outdoors.
13. Do not operate where aerosol (spray) products are being used or where oxygen is being administered.
14. To disconnect, turn all controls to the off “O” position, then remove plug from outlet.
15. Do not unplug by pulling on cord. To unplug, grasp the plug, not the cord.
16. Basically, the machine should be disconnected from the electricity supply when not in use.
17. If the power cord of this appliance is damaged, it must be replaced with a special cord by your nearest authorized dealer or service center.
18. (Except USA/Canada) This machine is provided with double insulation.
Use only identical replacement parts. See instructions for servicing Double-Insulated machine.

“SERVICING DOUBLE-INSULATED PRODUCTS”

In a double-insulated product, two systems of insulation are provided instead of grounding. No grounding means is provided on a double-insulated product nor should a means for grounding be added to the product. Servicing a double-insulated product requires extreme care and knowledge of the system and should only be done by qualified service personnel. Replacement parts for a double-insulated product must be identical to those parts in the product. A double-insulated product is marked with the words DOUBLE INSULATION or DOUBLE INSULATED.

The symbol  may also be marked on the product.

“SAVE THESE INSTRUCTIONS”



“This sewing machine is intended for household use only.”

Congratulations on your purchase of a JUKI sewing machine. Please be sure to read safety precautions in “To use the sewing machine safely” in the Instruction Manual before use to fully understand the functions and operating procedures of the sewing machine so as to use the sewing machine for a long time. After you have read the Instruction Manual, please be sure to keep it together with the warranty so that you can read it whenever necessary.











To use the sewing machine safely

Marks and pictographs included in the Instruction Manual and shown on the sewing machine are used so as to ensure safe operation of the sewing machine and to prevent possible risk of injury to the user and other people.

Warning marks are used for different purposes as described below.

 WARNING	Indicates that there is a possible risk of death or serious injury if this mark is ignored and the sewing machine is used in a wrong manner.
 ATTENTION	Indicates the operation, etc. which can cause a possible risk of personal injury and/or physical damage if this mark is ignored and the sewing machine is used in a wrong manner.

Pictographs mean the following:

	Danger warning which is not specified		There is a risk of electrical shock		There is a risk of fire		There is a risk of injury to hands, etc.
	Prohibited matter which is not specified		Disassembly/alteration is prohibited		Do not place fingers under the needle		Do not pour oil, etc.
	Generally required behavior		Disconnect the power plug				

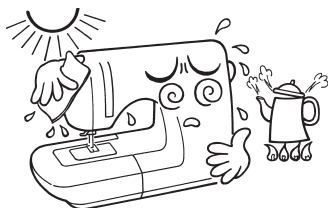
⚠ WARNING

For the combination of the material and the thread and needle, in particular, refer to the explanation table in “Replacement of the needle”.

If the needle or thread does not match the material used such as in the case that an extra heavy-weight material (e.g., denim) is sewn with a thin needle (#11 or higher), the needle can break resulting in an unexpected personal injury.

Other precautions

- Do not put the sewing machine under the direct sunlight or in a humid place.



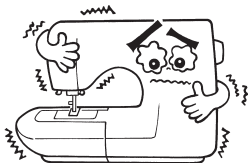
- Do not wipe the sewing machine with solvent such as thinner.

When the sewing machine is soiled, put a small quantity of neutral detergent on a piece of soft cloth and carefully wipe off the sewing machine with it.



Be aware that the following state can take place since the sewing machine incorporates semi-conductor electronic parts and precise electronic circuits.

- Be sure to use the sewing machine in the temperature range from 5°C to 35°C. If the temperature is excessively low, the machine can fail to operate normally.



- Safety device

In the case the sewing machine continuously performs sewing under the following conditions, the safety device will automatically kick in to stop the sewing machine to prevent the sewing machine from being abnormally hot.

- If the sewing machine continuously performs sewing at a low speed for an extended period of time, or under a hot environment:
 - The safety device automatically returns to its normal state approximately 30 minutes after it has stopped the sewing machine. Then, you can normally use the sewing machine again.
- If the sewing machine continuously performs sewing while the motor is abnormally overloaded such as in the case thread entanglement has occurred:
 - Remove thread and cloth chip entangling in the bobbin case, hook, etc.



* The operating temperature of the sewing machine is between 5°C and 35°C. Do not use the sewing machine under the direct sunlight, near the burning things such as a stove and candle, or in a humid place. By so doing, the temperature in the interior portion of the sewing machine can rise or the coating of the power cord can melt, causing fire or electrical shock.

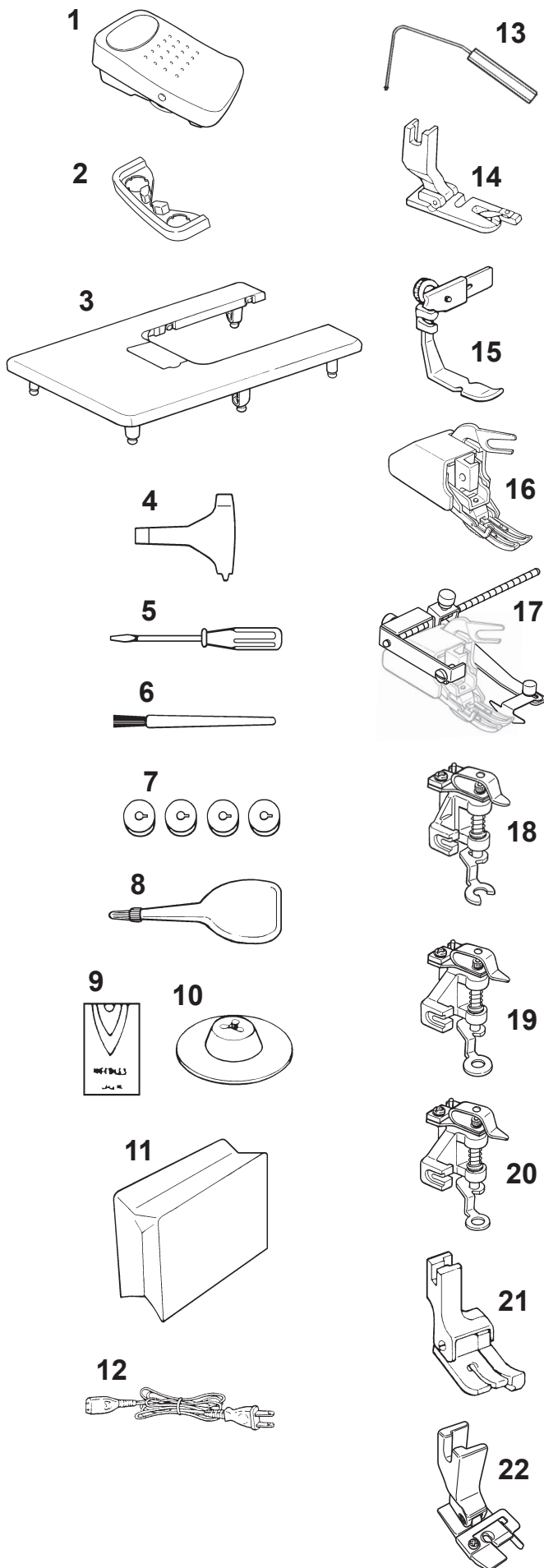
CONTENTS

Safety regulations	1-3	Adjusting the thread tension	20
Contents	4	Tabulated relationship between material, thread and needle	21
Specifications	4	Topstitching	21
Accessories	5	Attaching the needle	22
Principal Parts	6		
Name and Function of each component	7-11		
Winding the bobbin	12-14	Rolled hemming	23
Installing the thread guide		Attaching a zipper	24
Winding the bobbin		Changing the sewing direction	
Adjusting the bobbin winder guide		Upper feed presser foot	25
Threading the machine (needle thread)	15-17	Quilt guide for even feed foot	26,27
Automatic needle threader		Compensating presser foot	28
Drawing up the bobbin thread		1/4" presser foot	28
		Quilting foot	29
Test sewing	18,19		
To turn OFF the thread trimming foot switch		Maintenance and lubrication	30
Reverse feed stitch		Introduction of optional parts	31
When making a knot on the reverse side of the material		Troubles and Corrective measures	32

Specifications

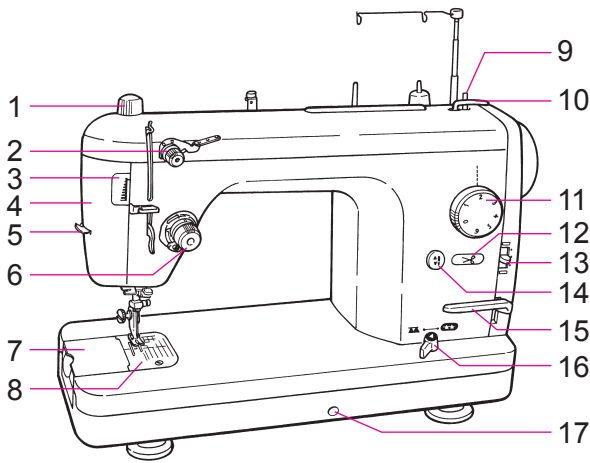
Description	Specification
Sewing speed	Max. 1,500 sti/min
Stitch length	Max. 6 mm
Needle bar stroke	32 mm
Lift of presser foot	7 mm / 9 mm (12 mm by knee lifter)
Needle	HAX1 #11, #14
Lubricating oil	New Defrix Oil No. 1 or equivalent
Dimensions of sewing machine	45.2W x 35.0H x 21.9L (cm)
Size of bed	43W x 17.8L (Auxiliary table: 59W x 27.7L) (cm)
Weight of sewing machine	11.9 kg
Foot control model No.	JC-001

Accessories

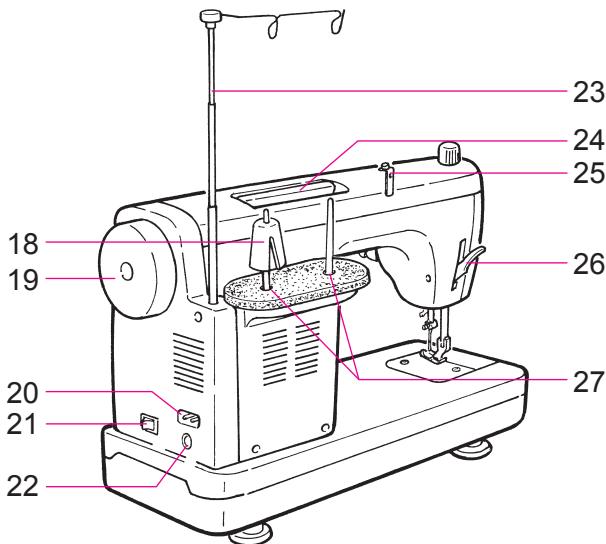


1. Foot controller
2. Foot switch stopper
3. Auxiliary table
4. Exclusive screwdriver
5. Screwdriver (small)
6. Cleaning brush
7. Bobbins (4pcs.)
8. Oiler
9. Needles (Hx1)
10. Spool cap
11. Sewing machine cover
12. Power cord
13. Knee lifter lever
14. Hemming foot
15. Zipper attaching foot
16. Upper feed presser foot
17. Quilt guide for even feed foot
18. Quilting foot front open toe
19. 1/4" Quilting foot
20. 1/5" Quilting foot
21. Compensating presser foot
22. 1/4" presser foot
or 7mm presser foot

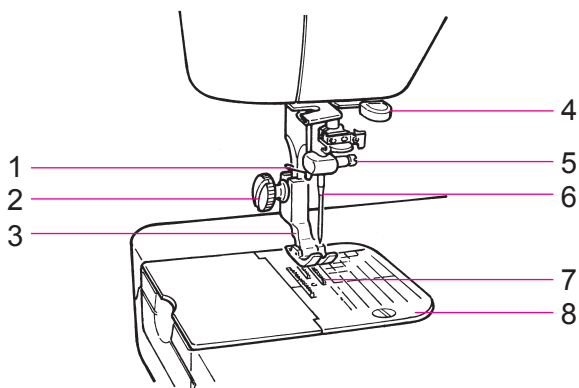
Principal Parts



1. Presser foot pressure regulator
2. Sub-tension knob
3. Indicator of the presser foot pressure regulator
4. Face plate cover
5. Manual thread cutter
6. Thread tension dial
7. Slide plate
8. Throat plate
9. Bobbin thread winding shaft
10. Bobbin presser
11. Stitch length adjusting dial
12. Automatic thread trimming switch
13. Speed control knob
14. Needle up/down switch
15. Reverse feed stitch lever
16. Drop-feed knob
17. Hole for knee lifter lever setting



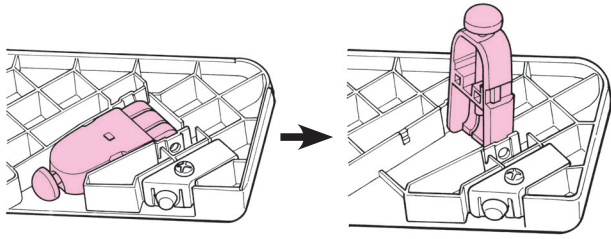
18. Anti vibration cone
19. Handwheel
20. Inlet of electric power cord
21. Power switch
22. Inlet of the controller
23. Support rod
24. Handle
25. Bobbin winder guide
26. Presser foot lifting lever
27. Spool pin



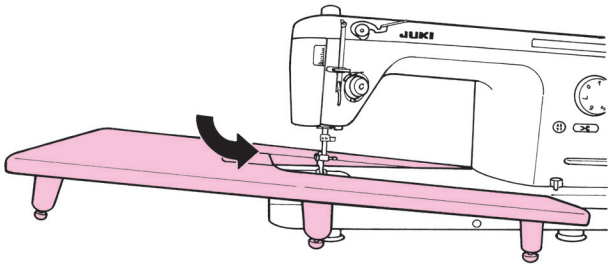
1. Needle bar thread hook
2. Screw in the presser foot
3. Presser foot
4. Needle threader lever
5. Needle clamp
6. Needle
7. Feed dog
8. Sewing guide lines

Name and Function of each component

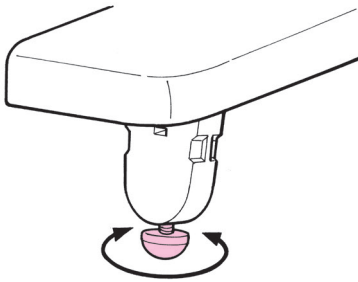
■ Installing the auxiliary table



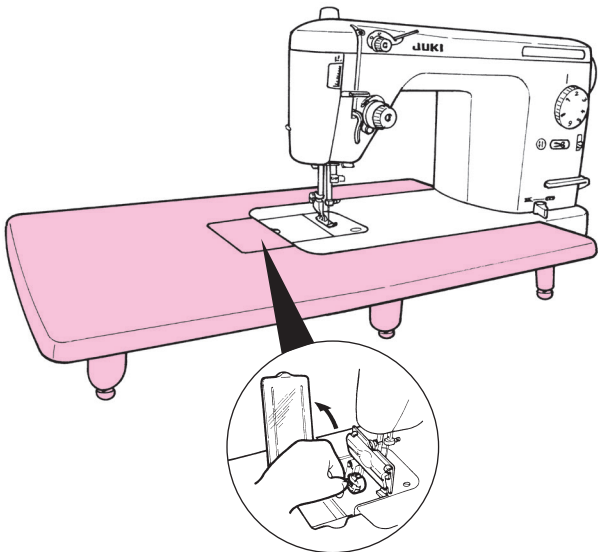
- 1** Open legs of auxiliary table until they stop securely at the stopping position.



- 2** Assemble auxiliary table to sewing machine body.

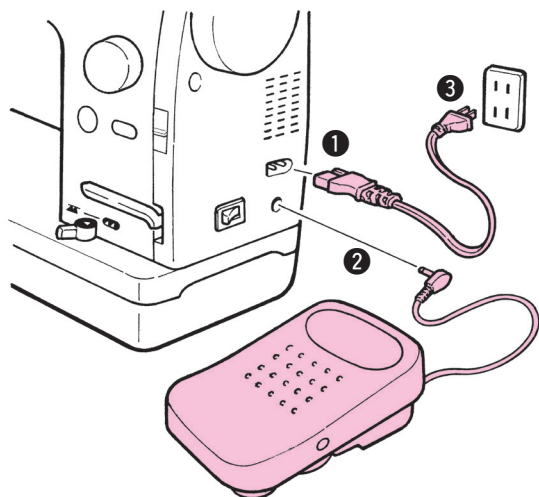


- 3** Adjust the height of legs so that the top surface of auxiliary table is the same height of sewing machine body.



- 4** Open the cover of the auxiliary table when replacing the bobbin thread.

Name and Function of each component



⚠ CAUTION:

Be sure to turn OFF the power switch before plugging/unplugging the controller.

■ Installing the foot controller

- 1 Insert the electric power cord plug into the corresponding inlet.
- 2 Insert the foot controller plug into the corresponding inlet.
- 3 Insert the power plug into the wall outlet.

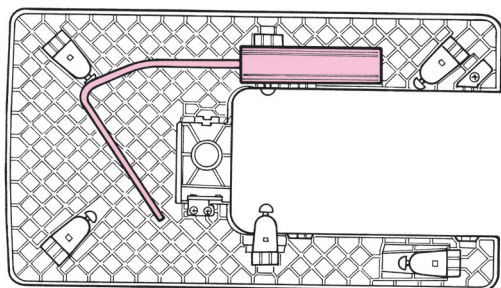
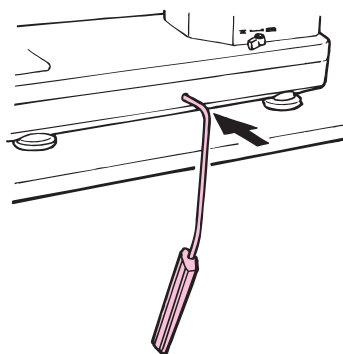
⚠ CAUTION:

Perform these following steps when you are not using your sewing machine.

1. Be sure to turn OFF the power switch.
2. Be sure to remove the power plug from the wall outlet.
3. Do not place a thing on the foot controller.

⚠ WARNING (For U.S.A., Canada only)

This appliance has a polarized plug (one blade wider than the other). To reduce the risk of electric shock, this plug is intended to fit in a polarized outlet only one way. If the plug does not fit fully in the outlet, reverse the plug. If it still does not fit, contact a qualified electrician to install the proper outlet. Do not modify the plug in any way.

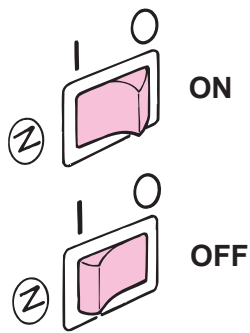


■ Attaching the knee lifter lever

The knee lifter lever allows the operator to lift/lower the presser foot without releasing his/her hand away from the material being sewn. (Lift of the presser foot: max. 12mm)

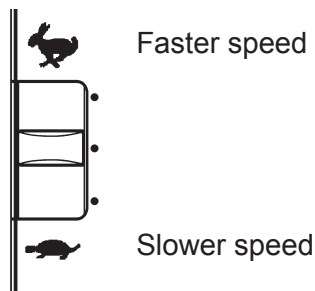
The knee lifter lever can be stored in the reverse side of the auxiliary table.

Name and Function of each component



■ Power switch

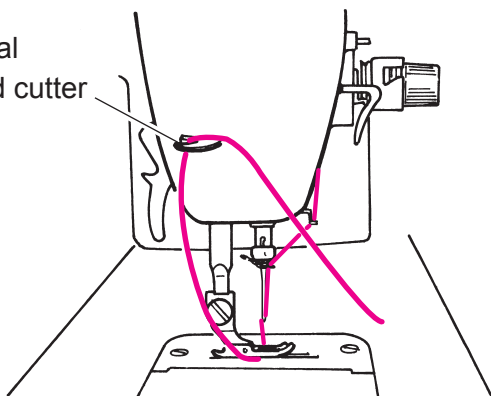
Turn ON when it is pressed on your side.
Turn OFF when it is pressed on the other side.



■ Speed control knob

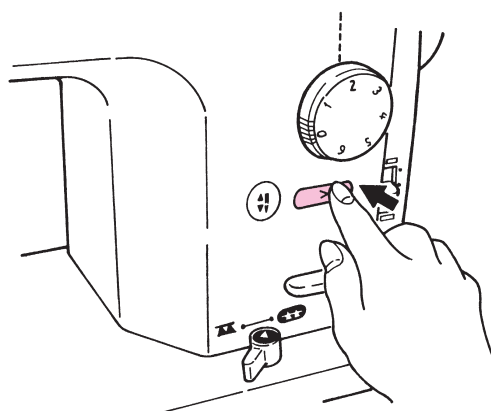
Maximum sewing speed can be freely set by the speed controller.

Manual thread cutter



■ Manual thread cutter

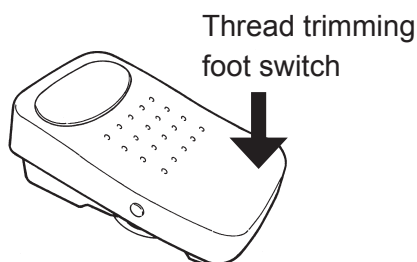
Lift the needle and the presser foot after the completion of sewing, draw out the material, and cut the thread with the manual thread cutter.



■ Automatic thread trimming switch/ Thread trimming foot switch

When the sewing is completed, both the needle and the bobbin threads can be simultaneously trimmed. You can re-start sewing even if the bobbin thread does not appear on the throat plate.

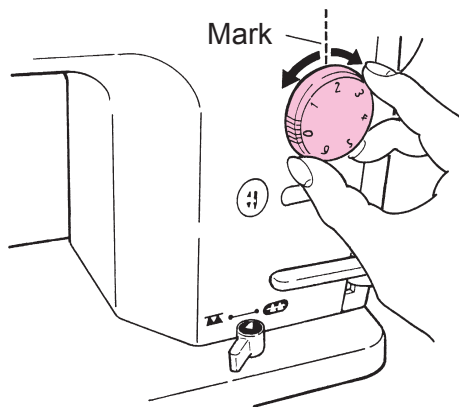
Use either one of the two switches when trimming thread.



“Thread trimming foot switch”

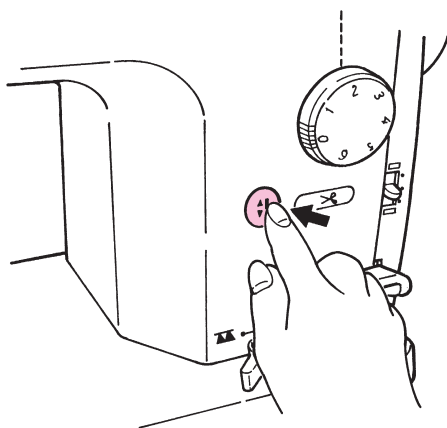
When the heel side of the foot controller is pressed, the threads are trimmed.

Name and Function of each component



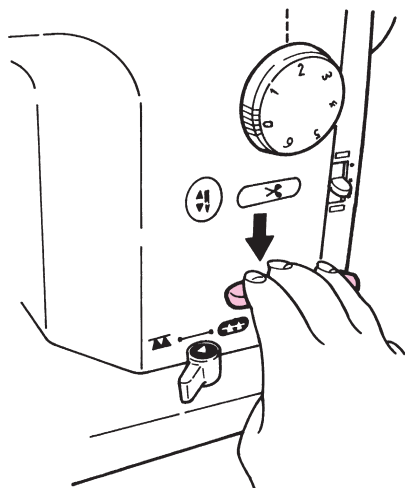
■ Stitch length adjusting dial

Stitch length for normal stitching is 2 to 2.5 mm.
(Adjusting range: 0 to 6 mm)



■ Needle up/down switch

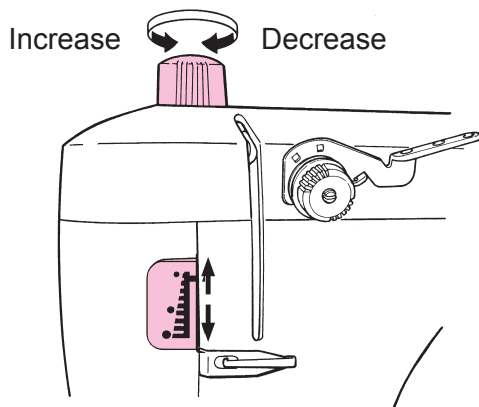
- Every time the switch is pressed, the needle goes up or comes down.
This switch can be used when using needle threader or dropping the needle on the material.
- If the switch is continuously pressed, a needle will move slowly.
Please use when sewing end of fabrics.



■ Reverse feed stitch lever

The seam does not fray when the reverse feed stitching is performed at the start or the end of sewing.

Name and Function of each component

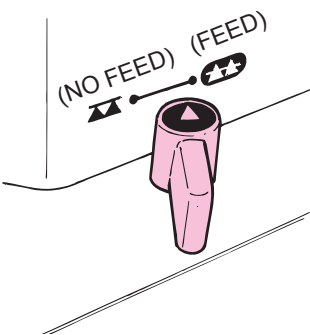


■ Presser foot pressure regulator and its indicator

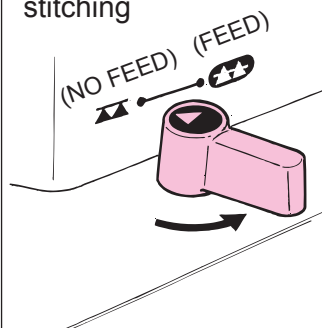
Turning the presser foot pressure regulator adjusts the pressure of the presser foot.

By turning the regulator pointer of the indicator goes up or comes down.

For normal stitching



For free embroidery stitching

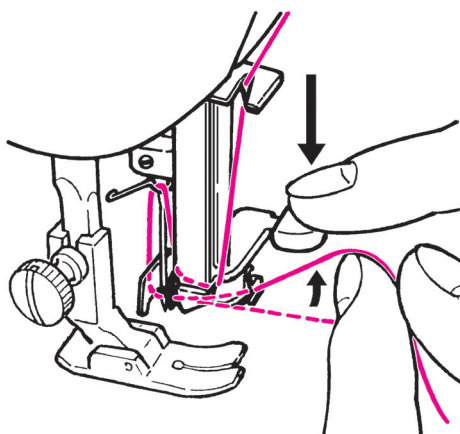


* Feed dog comes down.

■ Drop-feed knob

Set the knob to "FEED" for normal stitching.

Set the knob to "NO FEED" for free embroidery stitching.



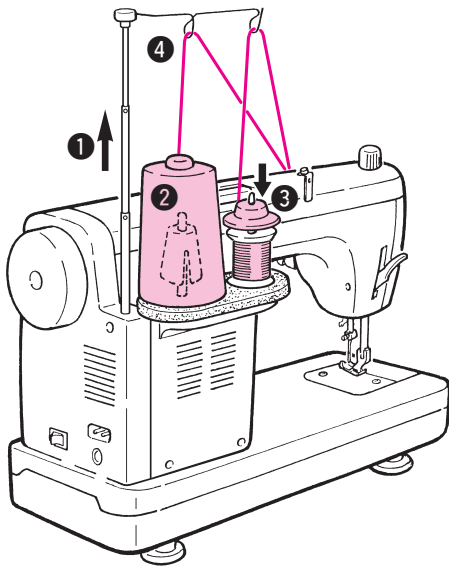
■ Needle threader lever (Automatic needle threader)

Lower the threading lever, pass the needle thread through the lever and pass the thread through the needle's eye. (This lever can be used for the needle #11-#16.)

Winding the bobbin

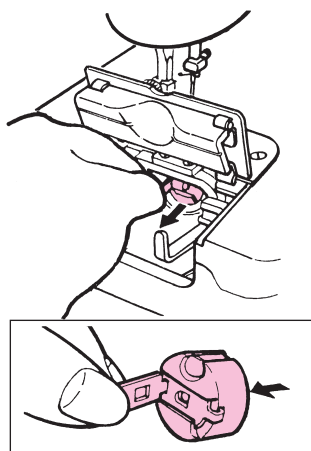
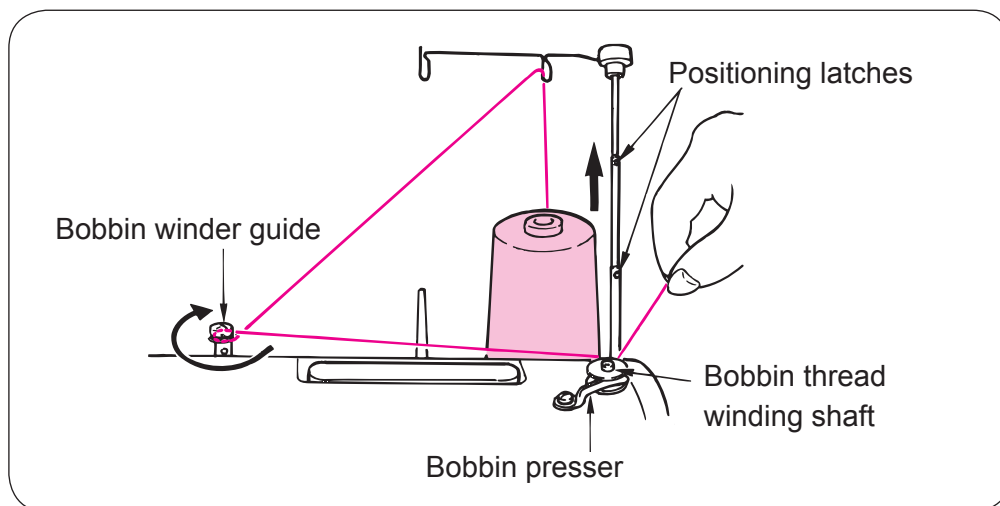


CAUTION: Turn OFF the power switch when opening the slide plate.



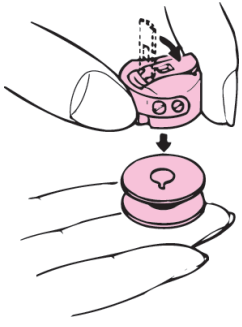
Installing the thread guide

- 1 Raise the support rod fully, turning slightly until the positioning latches engage.
- 2 Set the large spool over the anti vibration cone, or
- 3 Set the household-type thread onto the spool pin and then insert a spool cap in place.
- 4 Pass the thread coming from the spool on the thread guide pin (rod) just above the spool.



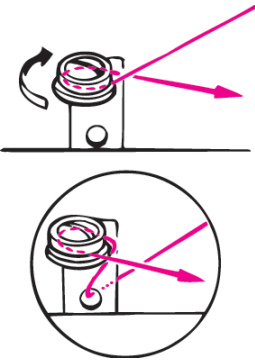
1 Take out the bobbin case.

Bring up the needle. Opening the slide plate, take out the bobbin case.



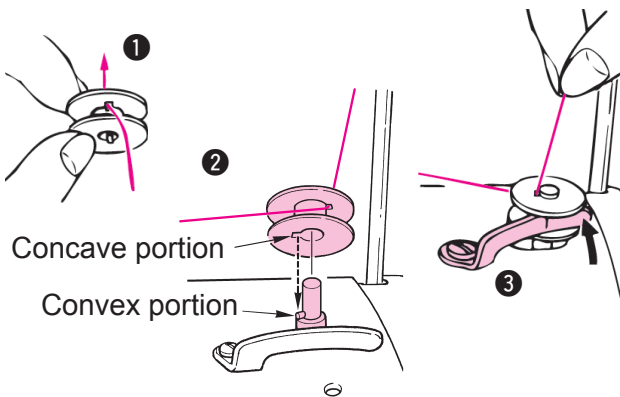
2 Take out the bobbin from the bobbin case.

Snap in the latch to let the bobbin come out of the bobbin case.



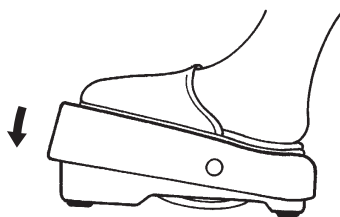
3 Thread the bobbin winder guide.

If the thread slips out of the bobbin winder guide, pass it through the hole located under the bobbin winder guide.

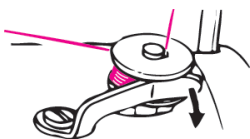


4 Installing the bobbin.

- 1 Pass the thread through the hole of the bobbin.
- 2 Adjust the convex portion of the bobbin thread winding shaft to the concave portion of the bobbin to set the bobbin.
- 3 Press the bobbin presser.

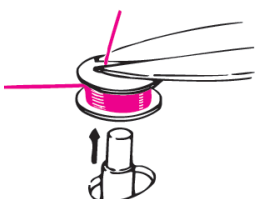


5 Start winding the bobbin.

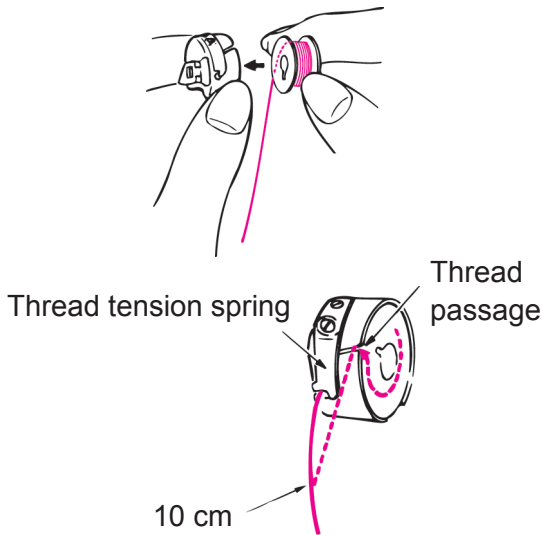


6 Upon completion of winding the bobbin.

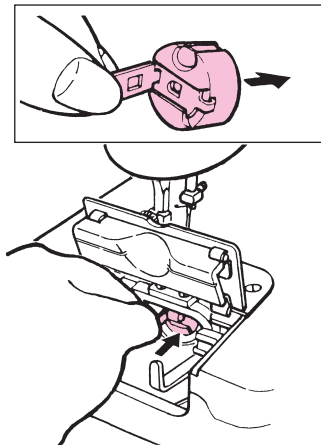
Return the bobbin presser on your side. Trim the excessive thread and take out the bobbin.



Winding the bobbin



* The bobbin should run clockwise.



7 Loading the bobbin into the bobbin case.

Snap in the bobbin case latch, and put the bobbin into the bobbin case so that the bobbin runs clockwise.

Passing the thread through the slit of the bobbin case, continue passing it under the thread tension spring, and pull out the thread open end about 10cm from the bobbin case.

8 Set the bobbin in the sewing machine. Close the slide plate.

Insert the bobbin case fully into the hook, and close the bobbin case latch.

■ Adjusting the bobbin winder guide

Good



Thread unevenly wound around the bobbin would badly affect the bobbin thread tension.

Thicker toward downside



Thicker toward upside

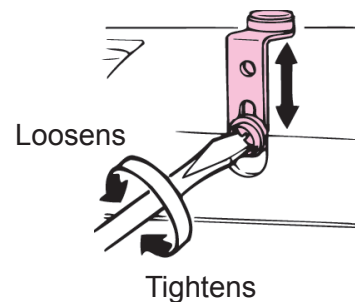


Move up



Move down

Loosen the screw of the bobbin winder guide to make adjustment.



Threading the machine

CAUTION: Turn OFF the power switch when threading or passing thread.

Sub-tension knob

- Pass the thread through the space between the two tension disks.
- The standard thread tension is achieved when the end face of the screw at the center of the knob is flush with the end face of the knob.

* To pass the thread through thread tension dial ③, firstly raise the presser foot lifting lever and provide a space between the tension disks.

* Bring the thread take-up ⑦ to the upper end of its stroke. Then, pass the thread through it.

1 Pass the thread through the thread guide ①.

When using a thread such as nylon thread which easily slips out of the thread path, thread the machine head as illustrated in the circled figure.

Pass the thread through the clearance between the two thread tension disks.

Thread tension disk

2 Thread the machine head in numerical order, ② to ⑧.

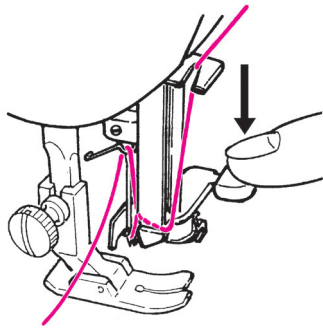
3 Pass the thread through the thread guides ⑨ and ⑩.

Threading the machine

■ Automatic needle threader

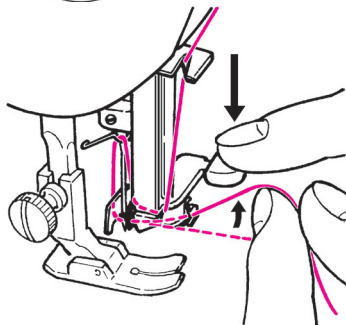
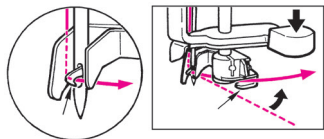
1 Lower the presser foot and lower needle threader lever.

Bring the needle to the top position and lower the threading lever.



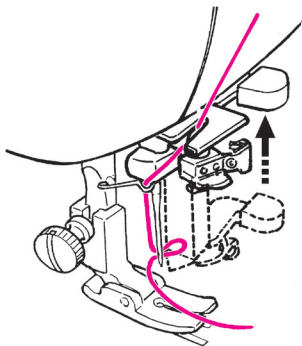
2 Pass the needle thread through the hook.

Pass the needle thread from the opposite side to this side, and move the thread on the right-hand side until it comes in contact with the guide.



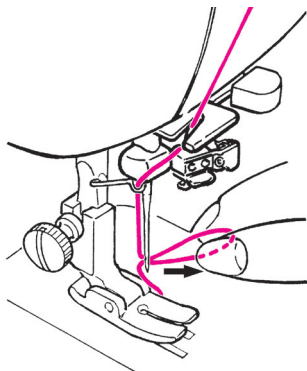
3 Take your finger off the needle threader lever.

When the finger is taken off, thread is caught in the hook and passed through the needle's eye.

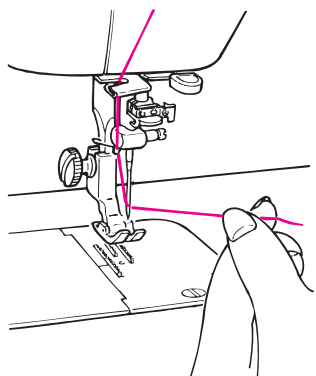


4 Draw out the needle thread.

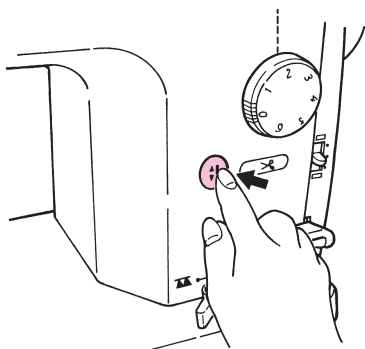
Draw out the passed thread about 10 cm from the needle's eye.



■ Drawing up the bobbin thread

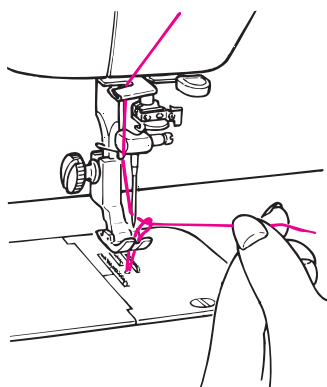


- 1** Hold the end of the needle thread with your left hand.

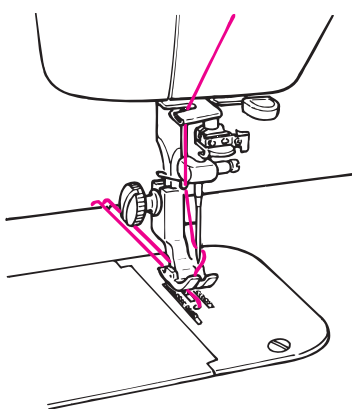


- 2** Press the needle up/down switch.

Normally press two times, to make needle move down and then up.



- 3** Bobbin thread is drawn out.



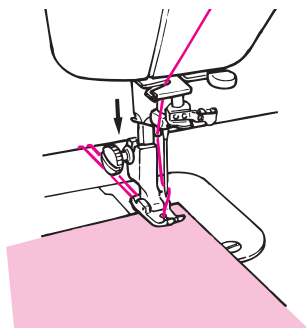
- 4** Draw both the needle thread and bobbin thread for about 10cm.

Bring both the needle and the bobbin threads under the presser foot, and draw them uniformly from the far end of the presser foot.

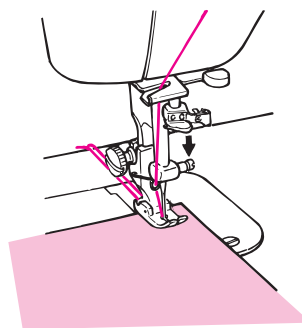
Test sewing

CAUTION: Do not place anything on the foot controller which is set to the sewing machine.

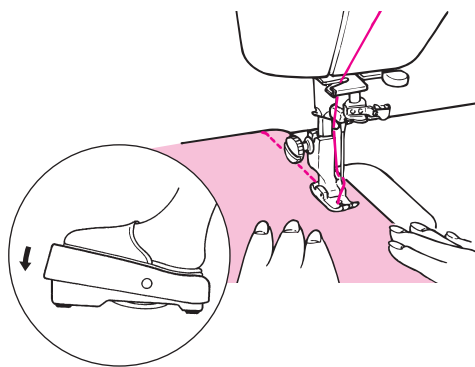
If you start sewing while the thread take-up is engaged in its ascending motion, the needle thread may slip out of the needle's eye.



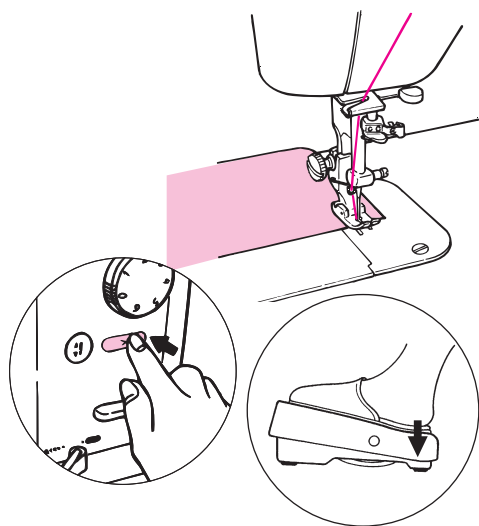
1 Place the material under the presser foot, and lower the presser foot.



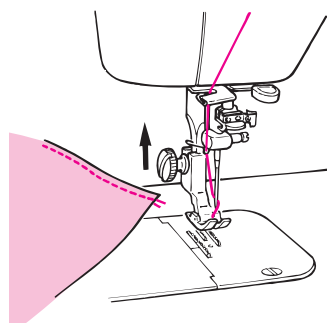
2 Lower the needle.
Turn the handwheel toward you or press the needle up/down switch to drop the needle on the material.



3 Start to run the sewing machine.
Do not pull the material by hand while it is being sewn.



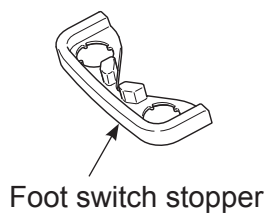
4 When the sewing is finished, stop the sewing machine and actuate the thread trimmer.
Press the automatic thread trimming switch or depress the thread trimming foot switch. When actuating the automatic thread trimmer, the needle will stop in its highest position after trimming. (If you use a thread as thick as count #20 or more or a special-kind of thread, manually cut the thread using a pair of scissors.)
* After the thread trimming, you can re-start sewing even if the bobbin thread does not appear on the throat plate.



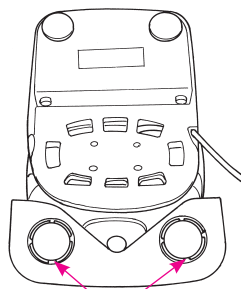
5 Raise the presser foot, and take out the finished material.

■ To turn OFF the thread trimming foot switch

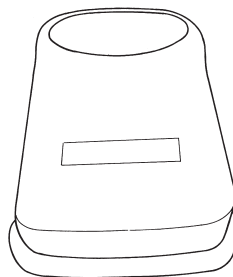
Fit the foot switch stopper in position.



Reverse side



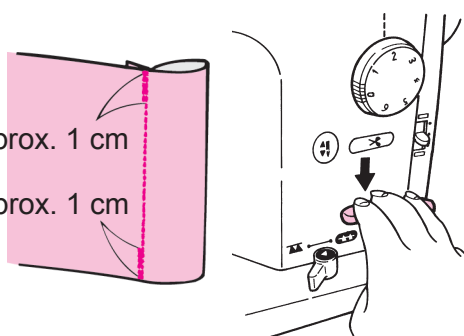
Top side



Securely fit the foot switch stopper by pressing four claws.

Approx. 1 cm

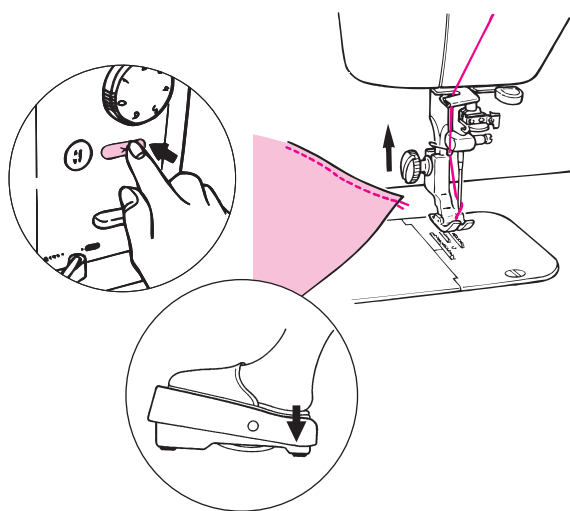
Approx. 1 cm



■ Reverse feed stitch (lock stitch)

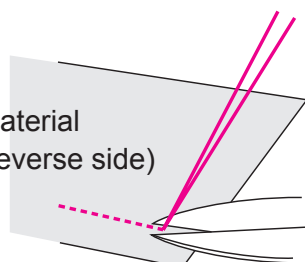
Push down the reverse feed stitch lever to sew reverse stitches over the forward stitches for about 1 cm.

■ When making a knot on the reverse side of the material



- 1 When the sewing is finished, raise the needle and the presser foot. Then draw both the needle and the bobbin threads away from you by approximately 10 cm together with material, after lowering the presser foot. (The needle and the bobbin threads are simultaneously trimmed.)

Material
(reverse side)



- 2 Draw the needle thread onto the reverse side of the material. Fasten the needle thread and the bobbin thread together. Then trim the both threads near the knot.

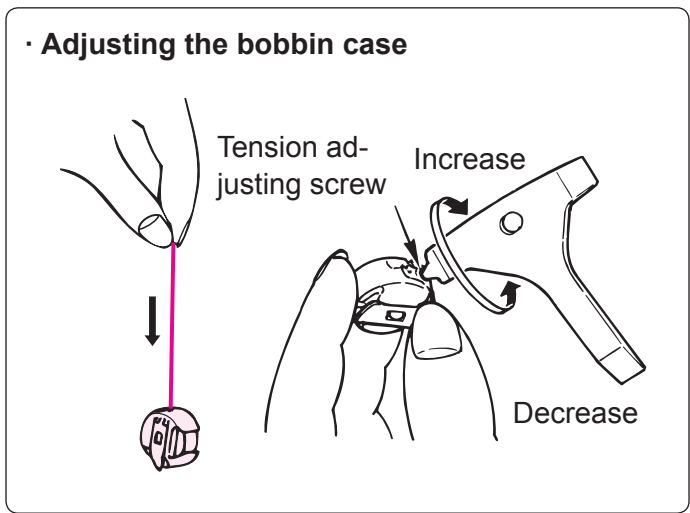
Adjusting the thread tension

CAUTION: Turn OFF the power switch when taking out the bobbin case.

The standard bobbin thread tension is such that the bobbin case goes down slowly when you hold the open end of the bobbin thread and shake it as shown at right. (The count of the thread is #50.)

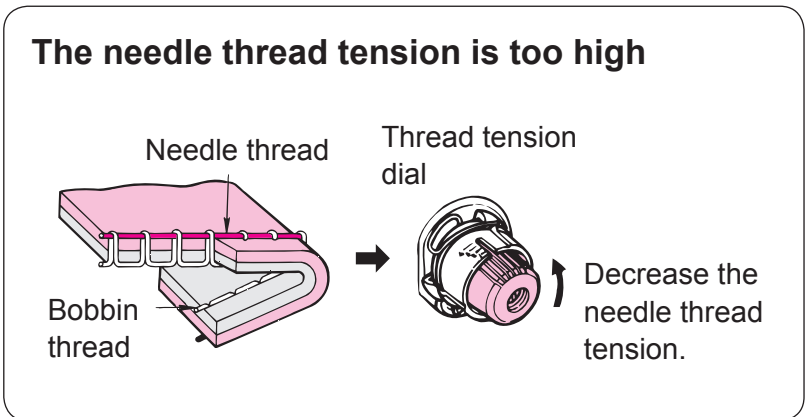
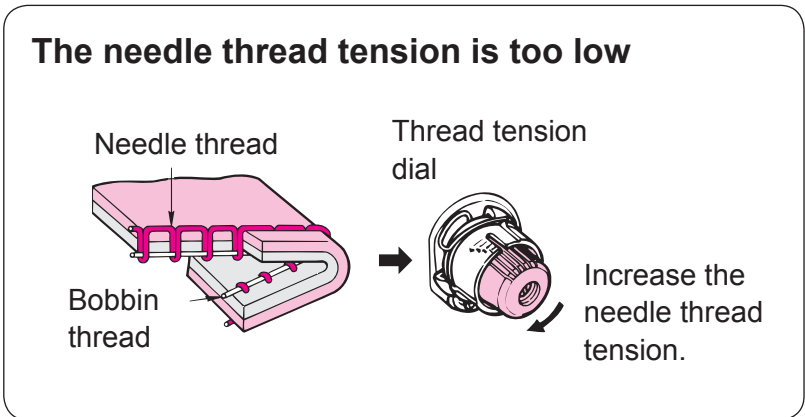
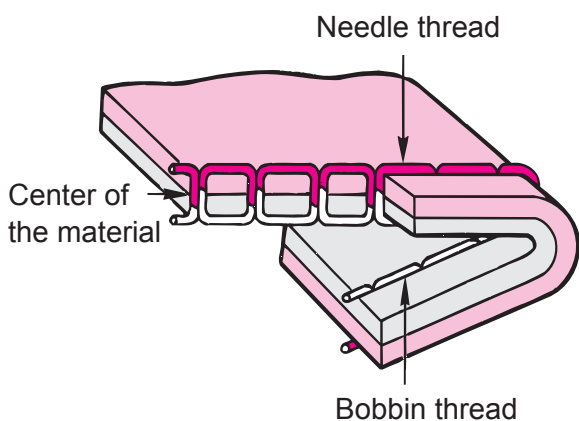
* Adjust the needle thread tension in accordance with the bobbin thread tension.

* The bobbin case is an exclusive JUKI part. Please consult the JUKI dealers when you purchase it.



■ Proper thread tension

Improperly adjusted thread tension may cause puckering on materials, inferior stitches, or thread breakage.



Adjusting the thread tension

■ Tabulated relationship between material, thread and needle

	Material	Thread	Needle (HAX1)
Light-weight materials	Nylon Cupro Georgette	Synthetic thread #80-#90	No.9-11
	Smooth Tricot		
Medium-weight materials	Broadcloth Gingham	Cotton thread #60-#80 Synthetic thread #80-#90	No.11-14
	Light-weight jersey Synthetic cloth	Synthetic thread #50-#60	
	Flannel Wool	Synthetic thread #50-#60 Silk yarn #50	
Heavy-weight materials	Denim	Synthetic thread #20-#50 Cotton thread #20-#50	No.14-18
	Canvas	Synthetic thread #30-#50	
	Tweed	Synthetic thread #50 Silk yarn #50	
	Artificial leather	Synthetic thread #20-#30	

■ Topstitching

With this sewing machine, you can make beautiful topstitches with stitch length up to 6 mm.

You can use various threads ranging from the standard runstitching thread to #8 topstitching thread. Change the needle according to the thread used (see the table at right).

Count of thread	Needle Size
#80-50	No.11
#60-50	No.14(11)
#50-30	No.16
#20-8	No.18

Adjusting the thread tension



CAUTION: Turn OFF the power switch when replacing the needle.

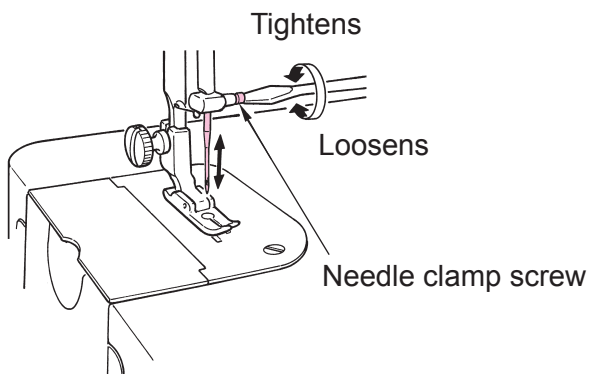
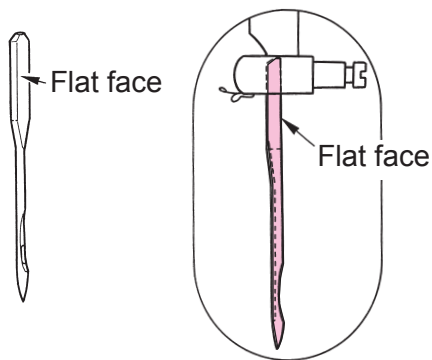


Figure as observed from the front



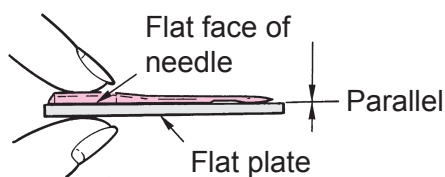
■ Attaching the needle

1. Turn off power.
2. Lower the presser foot.
3. Move the needle bar up to the highest position of its stroke.
4. With the flat face of the new needle facing to the right, insert the new needle into the needle bar until it can go no further. Then tighten the needle clamp screw.

* The needle to be used is HAx1.

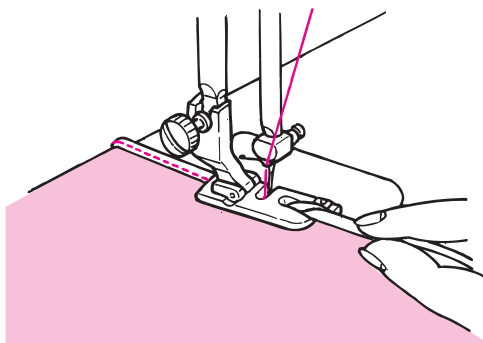
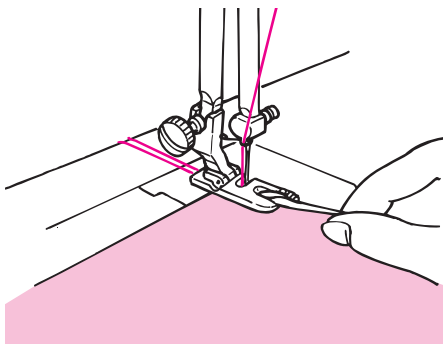
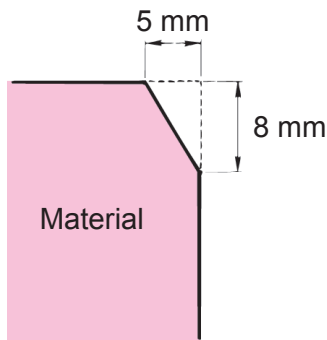
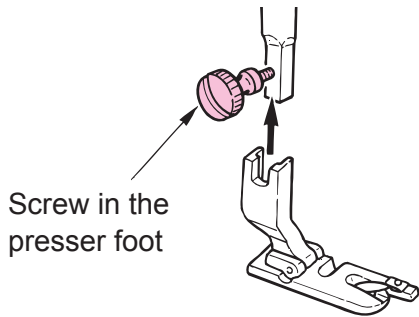
■ Checking the needle

Check the needle for its straightness occasionally. Any defective needle would cause needle breakage, stitch skipping, thread breakage or damage to materials.



Rolled hemming

CAUTION: Turn OFF the power switch when replacing the presser foot.



1 Install the hemming foot.

Turn OFF power. Loosen the screw in the presser bar, and attach the hemming foot.

2 Cut the corner of the material.

Trim the corner part of the material to help make the hemming foot hem the material edge.

3 Fit the trimmed material edge into the vortex groove in the hemming foot.

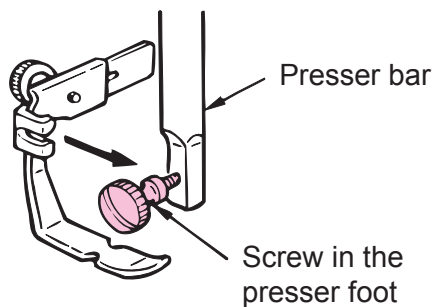
Fit the material into the vortex groove in the hemming foot until the descended needle reaches the material, and lower the hemming holder.

4 Hem the material edge while helping the material to go into the groove by hand.

Draw the needle and bobbin thread ends with your left hand, turn the handwheel by 3 or 4 rotations until you are sure that the material edge is rolled into the groove. Then hem the material edge while pinching the material edge with your right-hand thumb and index finger to make sure that the appropriate amount of material is fed into the hemming foot with consistency.

Attaching a zipper

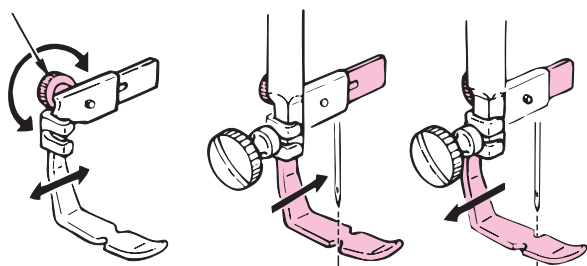
CAUTION: Turn OFF the power switch when replacing the presser foot.



1 Install a zipper attaching foot.

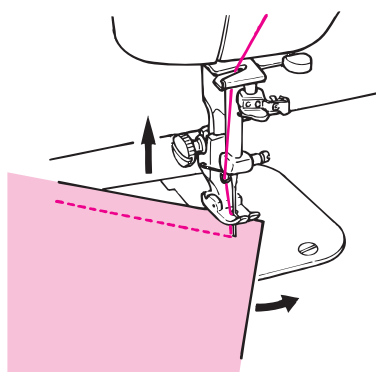
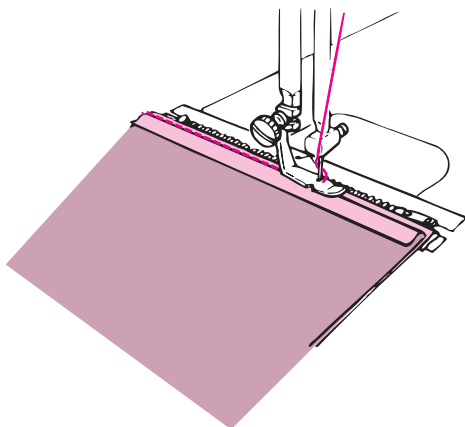
Turn OFF power. Loosen the screw in the presser foot, and attach the zipper attaching foot from the far side of the presser foot.

Presser position selector screw



2 Turn the presser position selector screw to move the presser foot until the correct needle entry point is obtained.

When sewing the left-hand side of the zipper, move the presser to the left. When sewing the right-hand side of it, move the presser to the right.



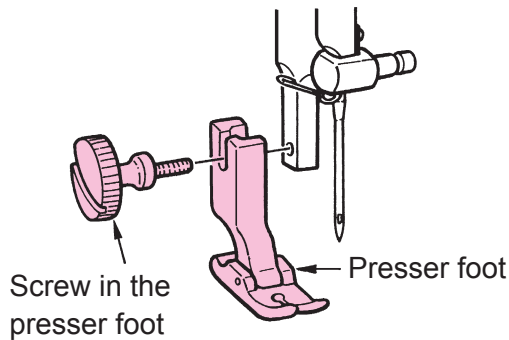
■ Changing the sewing direction

1. Keep the needle at its down position.
2. Lift the presser foot, and turn the material in a desired direction.

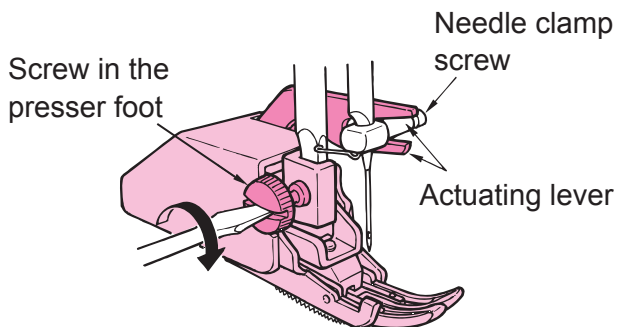
Upper feed presser foot

CAUTION: Turn OFF the power switch when replacing the presser foot.

Generally, this presser foot is used for hard-to-feed or for difficult-to-feed materials such as velvet, jersey, vinyl, cloth artificial leather, leather, etc. This smoothly feeds the material and prevents the material from slipping.



1 Turn off power and remove the presser foot.



2 Install the upper feed presser foot.

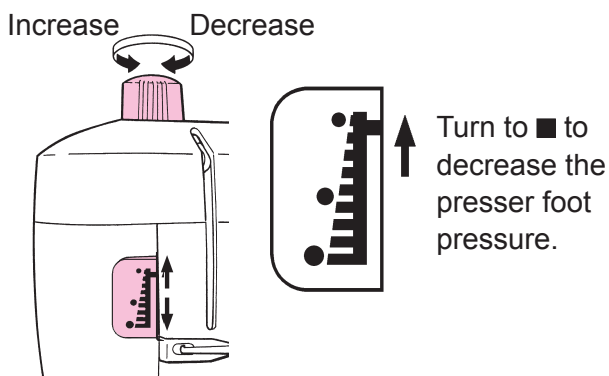
Fit forked portion of the actuating lever to the needle clamp, insert the installing portion into the presser bar, and securely tighten the screw in the presser foot.

Once presser foot is installed, rotate handwheel by hand in sewing direction to confirm fork position correctly then turn power on.

* Turn the presser foot pressure regulator to set the presser foot pressure to "low".

(Set the pressure to "lowest" when sewing the velvet material.)

Use the sewing machine at medium speed.



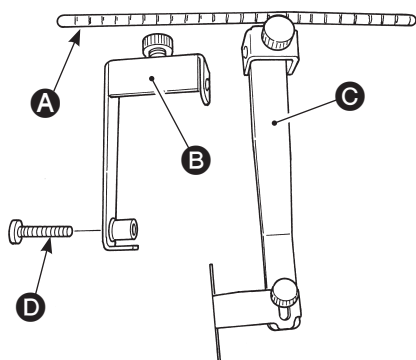
Upper feed presser foot - Quilt guide for even feed foot

CAUTION: Turn OFF the power switch when replacing the presser foot.

■ Quilting with the quilt guide for even feed foot

Stitches can be sewn at regular intervals using the walking foot.

* Use the sewing machine at medium speed.

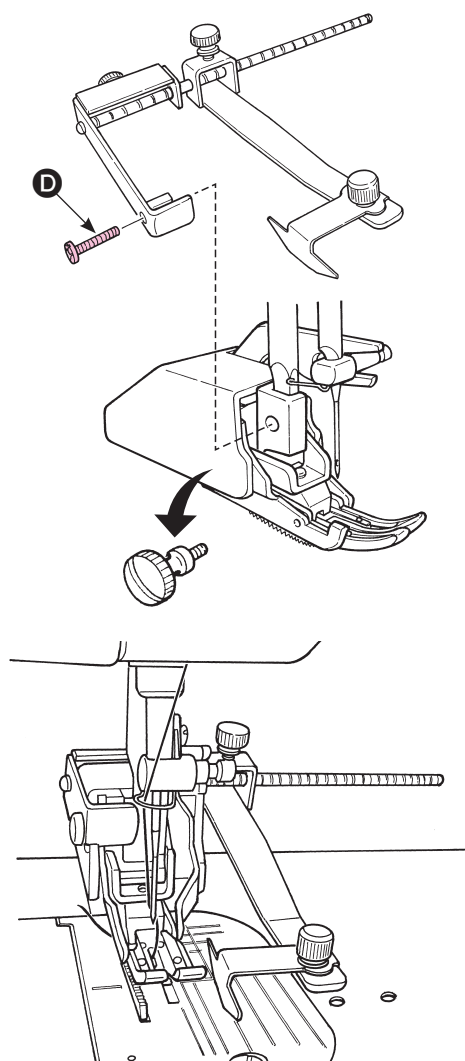


1 Check the relevant parts.

- A** Stitch guide bar × 1
- B** Stitch guide base × 1
- C** Stitch guide × 1
- D** Screw × 1

2 Assembling and installing the stitch ruler.

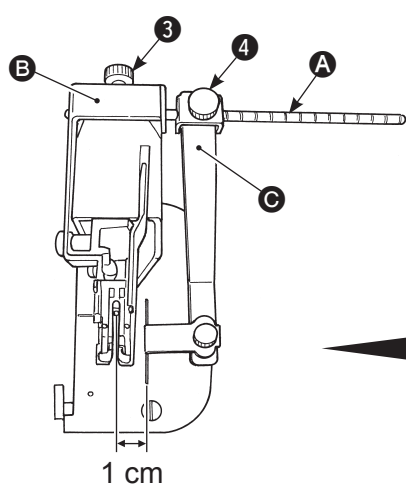
Remove walking foot setscrew which fixes the walking foot. Aligning the mounting sections of the stitch ruler and walking foot with each other, securely tighten **the walking foot setscrew D**.



(Example: In the case of guiding the material so that it is kept 1 cm away from the needle position)

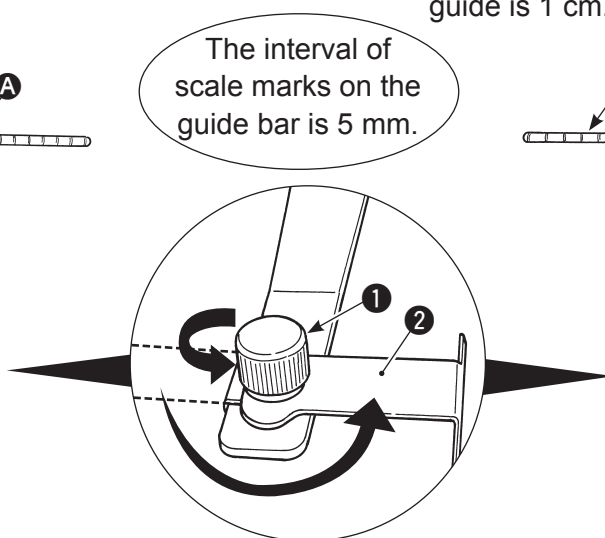
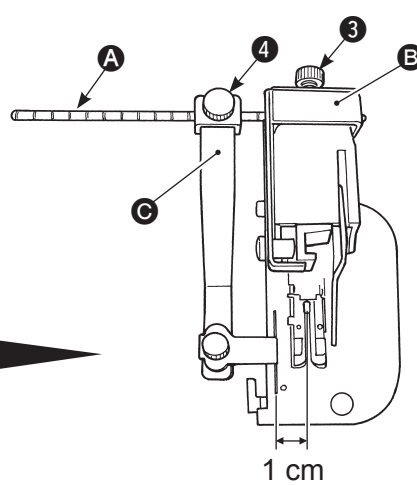
In the case of setting the guide on the right side of needle

- ① Aligning the leftmost scale mark on guide bar **A** with the left edge of guide base **B**, tighten setscrew **3**.
- ② Aligning guide **C** with the first scale mark from the right edge of guide base **B**, tighten setscrew **4**. The distance from the needle position to the guide is 1 cm.



In the case of setting the guide on the left side of needle

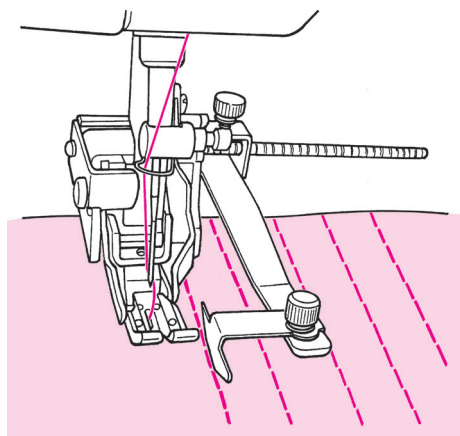
- ① Aligning the rightmost scale mark on guide bar **A** with the right edge of guide base **B**, tighten setscrew **3**.
- ② Aligning guide **C** with the second scale mark from the left edge of guide base **B**, tighten setscrew **4**. The distance from the needle position to the guide is 1 cm.



Remove setscrew **1**. The stitch ruler can be used on both the right and left sides by changing the mounting position of guide section **2** from right to left or left to right.

3 Adjusting the guide position.

Adjust the guide position referring to the needle position and positional relation between the bar scale and guide. Securely tighten the setscrew.

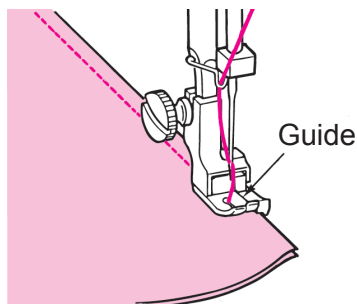
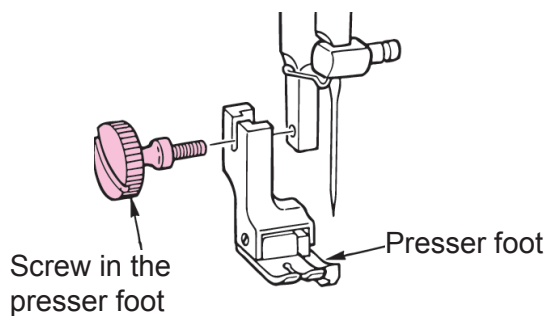


4 Carry our sewing using the guide as reference.

Stitches can be sewn while keeping the regular stitch intervals.

Compensating presser foot

CAUTION: Turn OFF the power switch when replacing the presser foot.



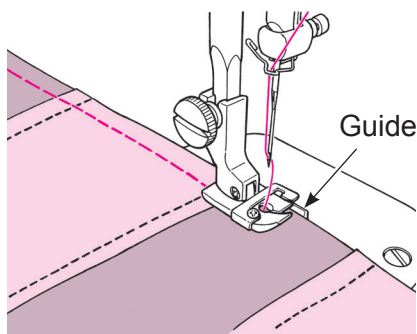
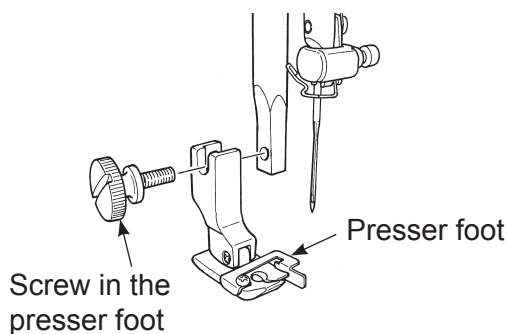
It is convenient to sew material end straight.

1 Install the compensating presser foot.

2 Fit material end to guide and sew.

1/4" (7 mm) presser foot

CAUTION: Turn OFF the power switch when replacing the presser foot.



Guide for 1/4" (7mm) seam allowance for piecing is provided.

1 Install the 1/4" (7mm) presser foot.

Loosely attach presser foot setscrew. Then, attach the 1/4"(7mm) presser foot and securely tighten the setscrew.

2 Sew the material while aligning its edge with the guide.

Stitches can be sewn at the position which is 1/4" (7mm) away from the guide.

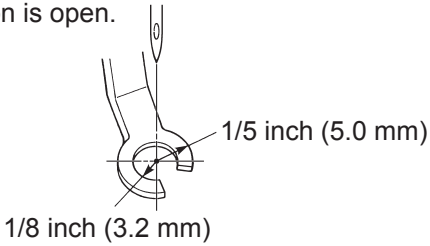
Quilting foot

CAUTION: Turn OFF the power switch when replacing the presser foot.

This quilting foot is convenient for free motion quilting, quilting along with the pattern, free-hand embroidery, etc.
 * Do not run the sewing machine idle when the quilting foot is kept at its upper position.

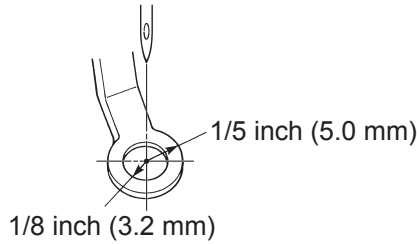
● **Front open type**

This type is suited for free-motion quilting. The needle entry point is easily observed since the front section is open.



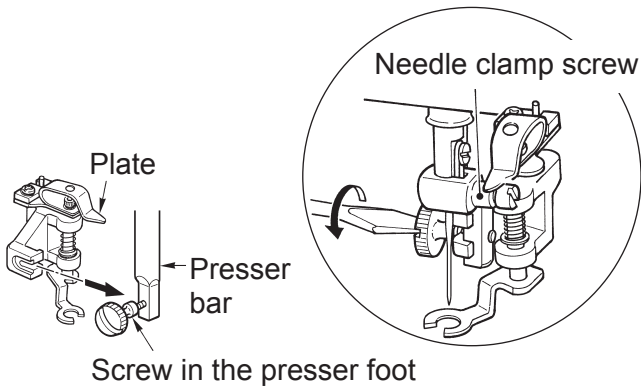
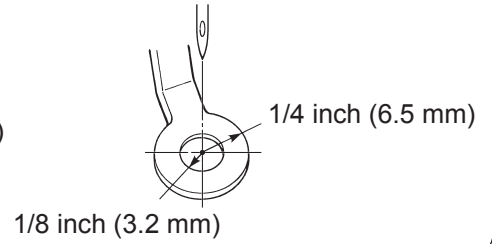
● **1/5 inch = 5.0 mm type**

This type is suited for free-motion quilting in general.

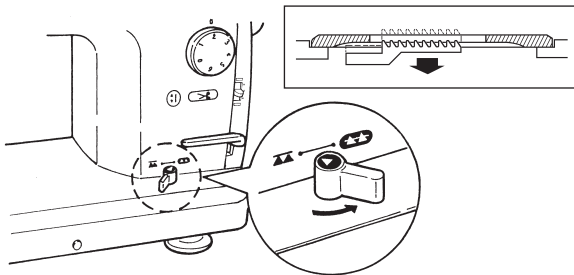


● **1/4 inch = 6.5 mm type**

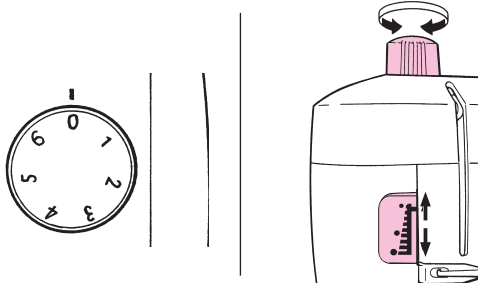
This type is suited as a guide for sewing stitches at regular intervals.



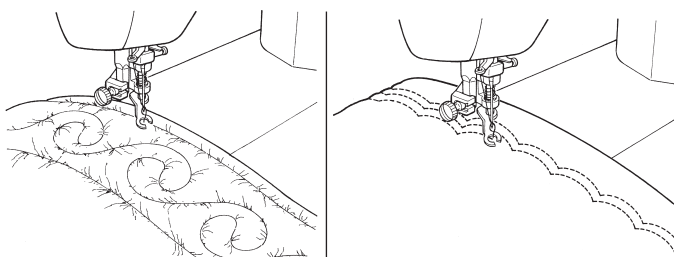
1 Turn off power. Install the quilting foot. Put the plate on the needle clamp screw, insert the installing portion into the presser bar, and securely tighten the screw in the presser foot.



2 Position Feed Dog in lower position.



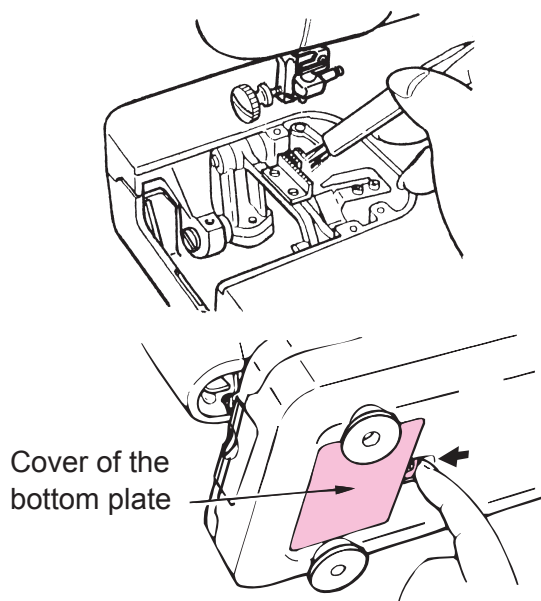
3 Position stitch length adjusting dial "0". Rotate presser foot pressure regulator until blue bar in pressure indication window is at top.



4 Lower the foot and start sewing.

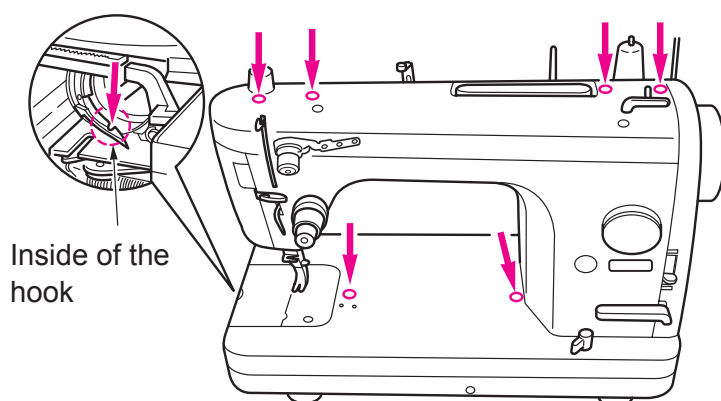
Maintenance and lubrication

CAUTION: Be sure turn OFF the power to the sewing machine and disconnect the plug from the wall outlet when cleaning or lubricating the sewing machine.



■ Cleaning the feed dog and the hook

- Turn off power. Remove the needle, the presser foot and the throat plate. Then clean up the feed dog and the hook components using a cleaning brush.
- The cover of the bottom plate is designed to open when cleaning the hook components or when a bobbin is dropped mistakenly.



Lubricate the machine after removing the bobbin case.

■ Lubricating the machine

- Apply a few drops of oil to each of the arrow points shown in the right.
- Use the machine oil supplied with the sewing machine, or New Defrix Oil No. 1 or equivalent.
- Lubricate the machine once a day if you use it every day.
- Apply a larger quantity of oil (approximately 5 to 7 drops) to the relevant points of sewing machine after unpacking or when using the sewing machine after an extended period of disuse (approximately two months).
Do not apply an excessive quantity oil to the needle bar and the section around the hook with particular care since oil can drop on the material at the time of lubrication.
- Be sure to always carry out test sewing after lubricating the sewing machine.

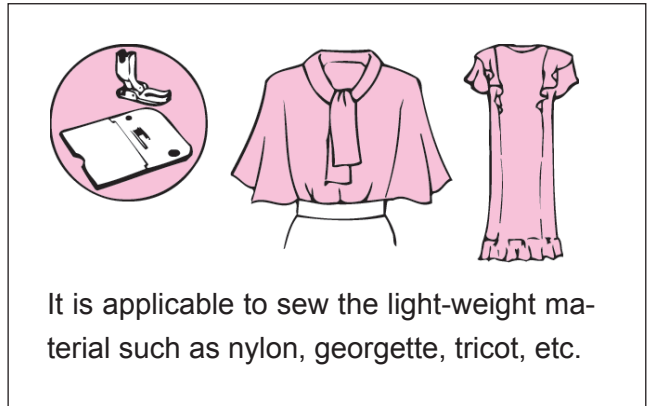
Precautions to be taken when handling oil

- * In the event the oil gets in the eye or adheres on skin, immediately wash it off in order to prevent irritation and rash.
- * If swallowed accidentally, immediately seek for medical advice in order to prevent diarrhea and vomiting.
- * Keep the oil away from children.
- * Oil disposal is obliged by legislation. Dispose of the oil properly in compliance with the relevant legislation.

Introduction of optional parts

CAUTION: Turn OFF the power switch when replacing the presser foot.

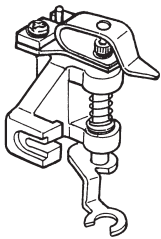
■ Presser foot and throat plate for light-weight materials



It is applicable to sew the light-weight material such as nylon, georgette, tricot, etc.

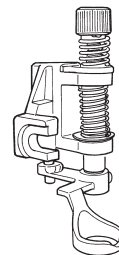
■ Throat plate for heavy-weight materials

■ Quilting foot side open toe



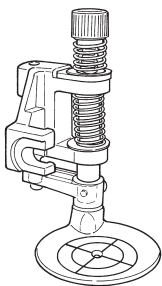
This quilting foot is useful for free-motion quilting when the sewing machine is placed longitudinally relative to the operator.

■ 1/4" Quilting foot (for ruler)



This quilting foot is useful for free-motion quilting while guiding the material along with the ruler.

■ Echo quilting foot



This quilting foot is useful for free-motion echo quilting.

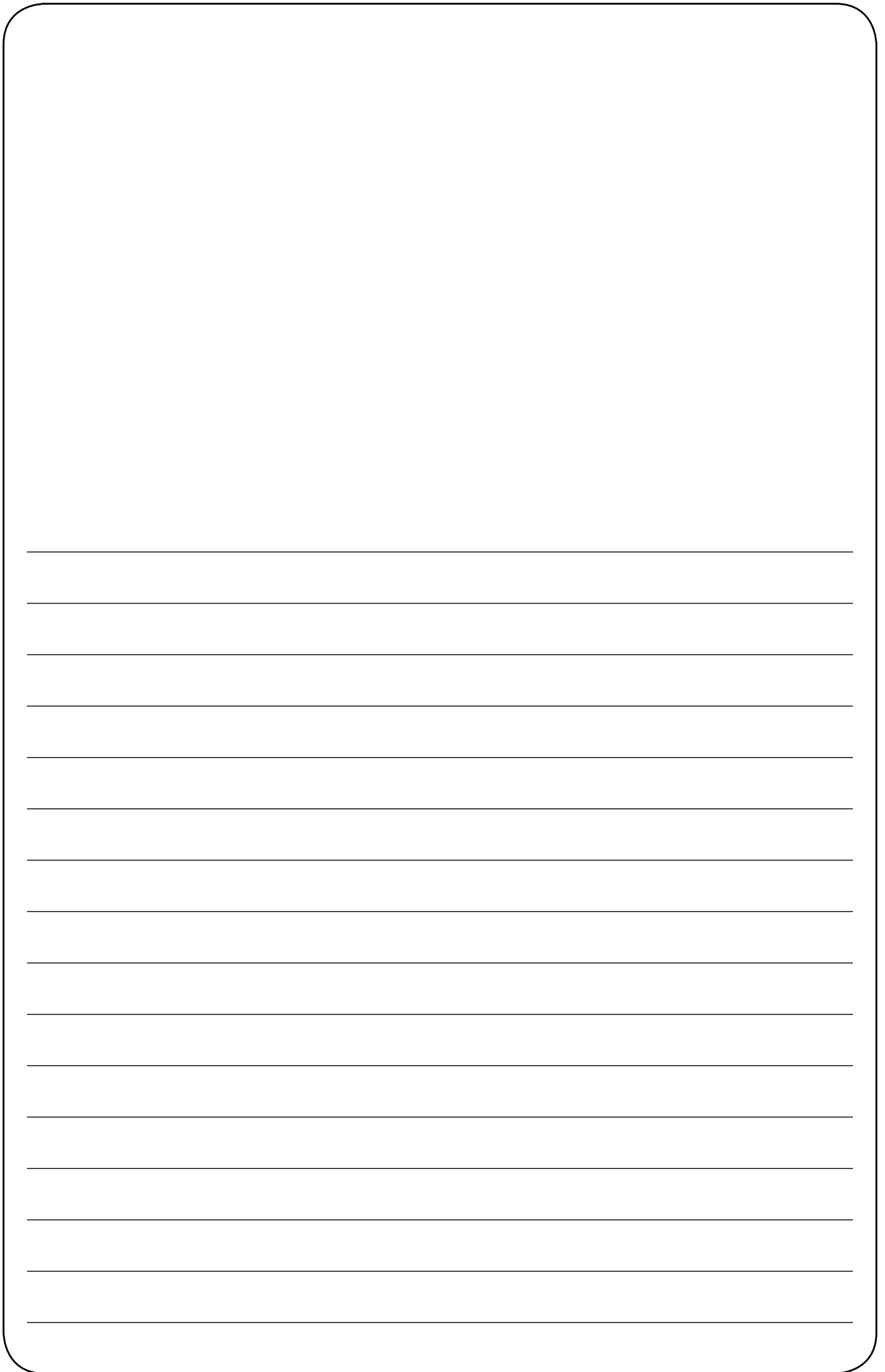
* Please consult the JUKI dealer when you purchase the optional parts.

Troubles and Corrective Measures

If sewing difficulties occur, make sure the instructions are correctly followed. If a problem still exists, the reminders below help to solve it.

Troubles	Case	Corrective measures	Page
Stitches are skipped.	1. The needle is bent or the needle point is blunted.	• Replace the needle.	22
	2. The needle has not been attached to the needle bar properly.	• Attach the needle properly to the needle bar.	22
Needle thread breaks.	1. The machine head has been threaded incorrectly.	• Correct the threading.	15-17
	2. The needle thread tension is too high or low.	• Properly adjust the thread tension.	20
	3. The needle is bent or the needle point is blunted.	• Replace the needle.	22
	4. The needle is not suited to the thread used.	• Replace the needle by the one suited to the thread used.	21
The bobbin thread breaks.	1. The bobbin thread tension is too high.	• Decrease the tension.	20
	2. The rubbing of the bobbin case spring has produced a slot.	• Replace the bobbin case.	-
	3. Scratches on the needle hole in the throat plate.	• Replace the throat plate.	-
The needle breaks.	1. The needle is bent or has been installed improperly.	• Replace or correctly attach the needle.	22
	2. The needle hits the throat plate or the presser foot.	• Correctly position the needle, throat plate, or presser foot.	-
Stitches are puckered.	1. The presser foot applies too much pressure to the material.	• Decrease the pressure of the presser foot.	11
	2. The tension of the needle thread is not balanced with that of the bobbin thread.	• Balance the tension.	20
	3. When the combination of the needle and the thread is improper.	• Properly correct the combination of needle and the thread.	21
	4. The needle is too thick for the material.	• Replace the needle by the one suited to the material.	21
Stitch performance is bad.	1. The tension of the needle thread is not balanced with that of the bobbin thread.	• Balance the tensions.	20
The rotation noise is too heavy or too high.	1. Dust accumulates in the feed dog.	• Carry out maintenance of your sewing machine.	30
	2. The oil in the machine has run out due to a long period of usage.	• Carry out maintenance of your sewing machine.	30
	3. The oil other than the exclusive sewing machine oil is used.	• Apply the proper sewing machine oil.	30
	4. Thread wastes accumulate in the hook.	• Clean up the sewing machine.	30

Troubles	Case	Corrective measures	Page
The handwheel does not rotate smoothly or does not turn.	1. The thread is entangled and caught in the hook.	<ul style="list-style-type: none"> • Lubricate the hook, strongly turn the handwheel clockwise and counterclockwise several times, then remove the thread caught in the hook. 	-
The material cannot be fed.	<ol style="list-style-type: none"> 1. The stitch length is set "0". 2. Drop-feed knob is set to "NOT FEED". 3. The pressure of the presser foot is too low. 	<ul style="list-style-type: none"> • Set the stitch length to an appropriate amount. • Set the drop-feed knob to "FEED". • Turn the presser foot pressure regulator to increase the pressure properly. 	<p>10</p> <p>11</p> <p>11</p>
Needle threading cannot be performed.	<ol style="list-style-type: none"> 1. When the needle has not been raised. 2. When the needle has not been inserted until it can go no further at the time of attaching the needle. 3. When the sewing machine has been turned with the needle threader lever lowered (during threading) by mistake. 	<ul style="list-style-type: none"> • Turn the handwheel or press the needle up/down switch to bring the needle to its highest position. • Attach the needle properly. • Slightly turn the handwheel by hand to the opposite side (opposite to the direction at the time of sewing). 	<p>10</p> <p>22</p> <p>-</p>



“INSTRUCCIONES DE SEGURIDAD IMPORTANTES”

Cuando utilice un aparato eléctrico, deben seguirse las precauciones de seguridad básicas, incluidas las siguientes:

Lea todas las instrucciones antes de utilizar esta máquina de coser.


“PELIGRO_Para reducir el riesgo de descarga eléctrica:”

1. Nunca debe dejar desatendida la máquina cuando esté enchufada.
2. Desenchufe siempre esta máquina de la toma de corriente inmediatamente después de utilizarla y antes de limpiarla.

“ADVERTENCIA_Para reducir el riesgo de quemaduras, incendio, descarga eléctrica o cualquier otro daño a personas:”

1. Este aparato doméstico no es ningún juguete. Tener mayor cuidado si la máquina la usan los niños o si se usa cerca de ellos. Esta máquina de coser puede ser utilizado por niños de edades comprendidas entre 8 y más años y las personas con capacidades físicas, sensoriales o mentales, o con falta de experiencia y conocimiento si han sido supervisados o instruidos acerca del uso de la máquina de coser de una manera segura y entender los riesgos involucrados. Los niños no deben jugar con la máquina de coser. Limpieza y mantenimiento de usuario no puede estar por niños sin supervisión.
2. Usar esta máquina para los fines descritos en esta guía. Usar únicamente los accesorios recomendados por el fabricante.
3. No trabajar con esta máquina si el cable o el enchufe están dañados, ella no funciona bien o está estropeada, si se ha dejado caer al suelo o dentro del agua. Llevar inmediatamente la máquina al próximo representante Bernina o al especialista correspondiente par controlarla y/o arreglarla.
4. No bloquear las aperturas de refrigeración durante el uso de la máquina. Mantener estas aperturas abiertas, sin residuos o restos de ropa.
5. No acercar nunca los dedos a las partes móviles, sobre todo cerca de la aguja.
6. Usar siempre una placa-aguja original. Una placa-aguja falsa puede romper la aguja.
7. No usar agujas torcidas.
8. Durante la costura, ni tirar de la ropa ni empujarla. Esto podría romper la aguja.
9. Apague la máquina (“O”) cuando realice ajustes en el área de la aguja, como al enhebrar y cambiar la aguja, al enhebrar la canilla, al cambiar el prensatelas, etc.
10. Desenchufe siempre la máquina de coser de la toma de corriente cuando retire cubiertas, la lubrique o realice cualquier otro ajuste de servicio mencionado en el manual de instrucciones.
11. No meter ningunos objetos dentro de las aperturas de la máquina.
12. No usar la máquina al aire libre.
13. No usar la máquina en sitios donde se utilizan productos con gas propelentes (sprays) u oxígeno.
14. Para desconectar la máquina, colocar el interruptor principal a “O” y quitar el enchufe de la red.
15. Desenchufar de la red tirando siempre del enchufe y no del cable.
16. Generalmente, cuando la máquina no se usa tiene que desconectarse quitando el enchufe de la red eléctrica.
17. Esta máquina está dotada de un aislamiento doble. Utilizar únicamente piezas de recambio originales. Observar las indicaciones para el mantenimiento de productos con aislamiento doble.
18. Esta máquina está dotada de aislamiento doble, excepto en máquinas destinadas a EE.UU./Canadá. Utilizar únicamente piezas de recambio idénticas. Véanse las instrucciones para el mantenimiento de máquinas con aislamiento doble.

“MANTENIMIENTO DE PRODUCTOS DE ISOLACION DOBLE”

Un producto de aislamiento doble tiene dos unidades de aislamiento en vez de una toma de tierra. En un producto de aislamiento doble no hay una toma de tierra, y tampoco debe incluirse una. El mantenimiento de un producto de aislamiento doble requiere mucha atención y conocimiento del sistema. Por eso sólo un especialista puede hacer este trabajo de mantenimiento. Usar únicamente piezas de recambio originales. Un producto de aislamiento doble está marcado con: “Doble isolación” o “Isolación doble”. El símbolo  puede también indicar semejante producto.

“GUARDE BIEN ESTAS NORMAS DE SEGURIDAD”

Esta máquina de coser esta diseñada para su uso doméstico.



Felicitaciones por haber adquirido una máquina de coser JUKI.

Asegúrese de leer las precauciones de seguridad indicadas en el apartado “Uso seguro de la máquina de coser” del Manual de instrucciones antes del uso para comprender plenamente las funciones y procedimientos de operación de la máquina de coser de modo que pueda utilizarla durante mucho tiempo.

Una vez leído el Manual de instrucciones, asegúrese de guardarlo junto con la garantía de modo que pueda consultarlo cuando sea necesario.

Uso seguro de la máquina de coser

Las marcas y los pictogramas incluidos en el Manual de instrucciones y mostrados en la máquina de coser se utilizan con la finalidad de garantizar el funcionamiento seguro de la máquina de coser y evitar posibles riesgos de lesión al usuario y a terceros. Las marcas de advertencia se utilizan con distintas finalidades, tal y como se describe a continuación.

 ADVERTENCIA	Indica que existe el posible riesgo de muerte o lesiones graves si esta marca es ignorada y la máquina de coser se utiliza de forma incorrecta.
 ATENCIÓN	Indica la operación, etc., que puede causar un posible riesgo de lesiones personales y/o daños físicos si esta marca es ignorada y la máquina de coser es utilizada de forma incorrecta.

A continuación se indica el significado de los pictogramas:

	Advertencia de peligro no especificada		Existe el riesgo de sufrir descargas eléctricas		Existe riesgo de incendio		Existe riesgo de lesionarse las manos, etc.
	Prohibición no especificada		Desmontaje/alteración prohibido		No coloque sus dedos debajo de la aguja		No vierta el aceite, etc
	Comportamiento generalmente necesario		Desconecte la clavija de alimentación				

⚠ ADVERTENCIA

Para la combinación del material y el hilo de aguja, en particular, consulte la tabla de explicación en “Sustitución de la aguja”. Si la aguja o el hilo no coinciden con el material utilizado, como por ejemplo en el caso de coser un material muy pesado (p. ej., tela vaquera) con una aguja fina (#11 o más), la aguja podría romperse y causar lesiones personales inesperadas.

Otras precauciones

- No coloque la máquina de coser en lugares en los que esté expuesta a la luz solar directa o a la humedad.



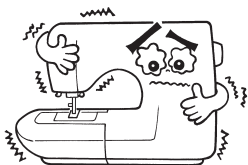
- No limpie la máquina de coser con disolventes, como por ejemplo diluyente.

Si la máquina de coser está sucia, aplique una pequeña cantidad de detergente neutro en un paño suave y limpie cuidadosamente la máquina de coser con él.



Tenga en cuenta que el siguiente estado puede tener lugar desde que la máquina de coser incorpore partes electrónicas semiconductoras y componentes precisos circuitos electrónicos.

- Asegúrese de utilizar la máquina de coser a temperaturas de entre 5 °C a 35 °C. Si la temperatura es excesivamente baja, la máquina podría no funcionar con normalidad.



- Dispositivo de seguridad
En caso de que la máquina de coser se utilice para coser continuamente en las siguientes condiciones, el dispositivo de seguridad intervendrá automáticamente deteniendo la máquina de coser para evitar que ésta se recaliente anormalmente.

- Si la máquina de coser se utiliza para coser continuamente a baja velocidad por tiempo prolongado, o en un ambiente caluroso:
 - El dispositivo de seguridad retorna automáticamente a su estado normal aproximadamente 30 minutos después que haya detenido la máquina de coser. Luego, es posible utilizar normalmente la máquina de coser de nuevo.
- Si la máquina de coser se utiliza continuamente para coser cuando el motor se encuentra anormalmente sobrecargado, como por ejemplo, en caso de que haya ocurrido enredos de hilo:
 - Elimine los enredos de hilo y briznas de tela del portabobina, gancho, etc.



* La temperatura de operación de la máquina de coser es de entre 5 °C a 35 °C. No utilice la máquina de coser bajo la luz solar directa, cerca de aparatos de combustión, como por ejemplo una estufa o una vela, o en lugares húmedos. Si lo hace, la temperatura interior de la máquina de coser podría aumentar o el recubrimiento del cable de alimentación podría derretirse, causando incendios o descargas eléctricas.

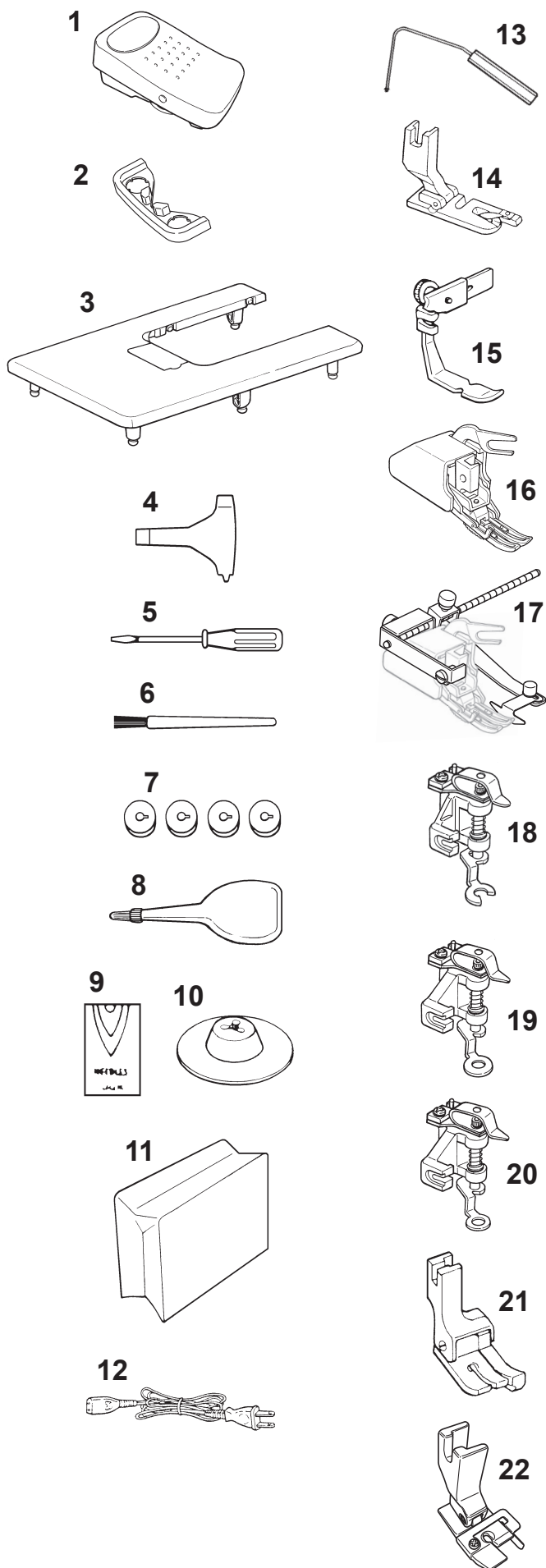
ÍNDICE

Regulador de seguridad	1-3	Modo de ajustar la tensión del hilo	20
Índice	4	Relación tabulada entre el material, el hilo y la aguja	21
Especificaciones	4	Pespunta entrelazado de remates	21
Accesorios	5	Modo de colocar la aguja	22
Piezas principales	6	Dobladillado rotativo	23
Nombre y función de cada componente	7-11	Modo de colocar una cremallera	24
Modo de bobinar la bobina	12-14	Modo de cambiar la dirección del cosido	
Para instalar la guía del hilo		Prensatelas de transporte superior	25
Para bobinar la Bobina		Guía de acolchado para prensatelas de trans- porte uniforme	26,27
Para ajustar la guía del bobinador de bobina		Prensatelas de compensación	28
Modo de enhebrar la máquina		Prensatelas de 1/4"	28
(hilo de aguja)	15-17	Prensatelas de acolchado	29
Enhebrador automático de aguja		Modo de limpiar y lubricar la máquina	30
Modo de extraer el hilo de bobina		Información sobre las piezas opcionales	31
Cosido de prueba	18,19	Problemas y medidas correctivas	32
Para desactivar el interruptor de pie de corte de hilo			
Pespunte de transporte invertido			
Cuando se marca un nudo en el lado equivocado del material			

Especificaciones

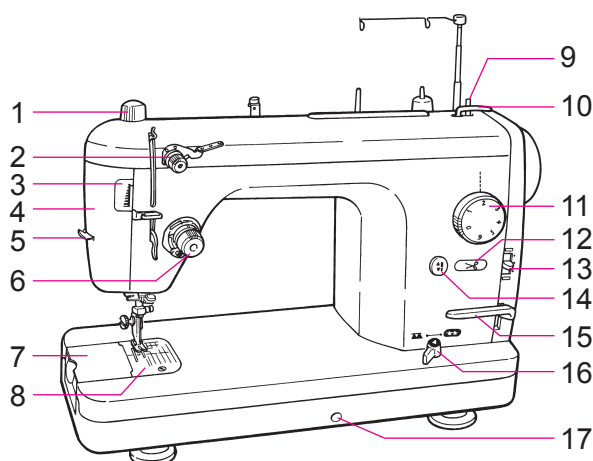
Descripción	Especificación
Velocidad de cosido	Máx. 1.500 sti/min
Longitud de puntada	Máx. 6 mm
Recorrido de la barra de aguja	32 mm
Elevación del prensatelas	7 mm / 9 mm (12 mm por elevador de pedal)
Aguja	HAX1 #11, #14
Aceite lubricante	Aceite New Defrix Oil No. 1 o equivalente
Dimensiones de la máquina de coser	45,2 de ancho x 35,0 de alto x 21,9 de largo (cm)
Tamaño de la base	43 de ancho x 17,8 de largo (Mesa auxiliar: 59 de ancho x 27,7 de largo) (cm)
Peso de la máquina de coser	11,9 kg
Núm. de modelo del controlador de pie	JC-001

Accesorios

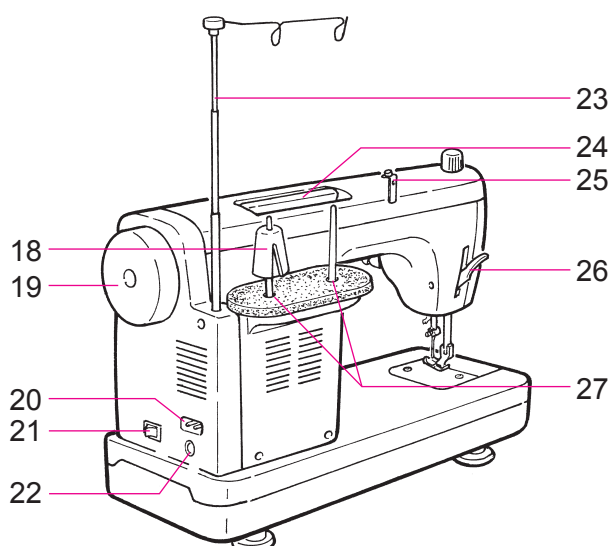


1. Controlador
2. Retén del interruptor de pie
3. Mesa auxiliar
4. Destornillador exclusivo
5. Destornillador (pequeño)
6. Cepillo de limpieza
7. Bobinas (4piezas)
8. Aceitera
9. Agujas (HAX1)
10. Tapa de canilla
11. Cubierta de la máquina de coser
12. Cable de alimentación
13. Palanca elevadora a rodilla
14. Sujetador de dobladillado
15. Pie colocador de cremallera
16. Prensatelas superior
17. Guía de acolchado para prensatelas de transporte uniforme
18. Prensatelas de acolchado con dedo frontal abierto
19. 1/4" Pie para acolchado
20. 1/5" Pie para acolchado
21. Prensatelas de compensación
22. Prensatelas de 1/4" o Prensatelas de 7mm

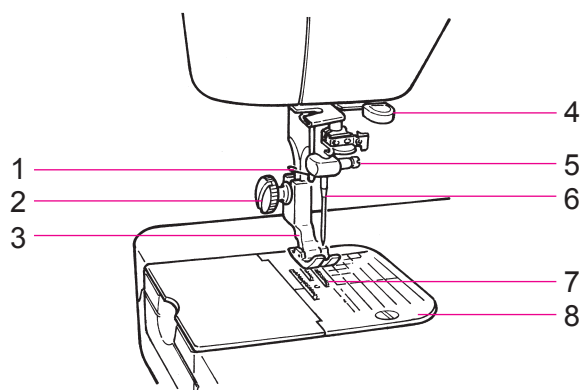
Piezas principales



1. Regulador de la presión del pie prensatela
2. Perilla de subtensión
3. Indicador del regulador de presión del pie prensatela
4. Cubierta del cabezal
5. Cuchilla manual para cortar hilo
6. Tensor de hilo
7. Placa deslizante
8. Placa de agujas
9. Eje para bobinar hilo de bobina
10. Prensador de bobina
11. Cuadrante para ajuste de longitud de puntada
12. Interruptor del cortahilo automático
13. Perilla de control de velocidad
14. Interruptor de aguja arriba/abajo
15. Palanca de puntadas de inversión
16. Perilla de transporte de bajada
17. Agujero para fijar la palanca elevador a rodilla

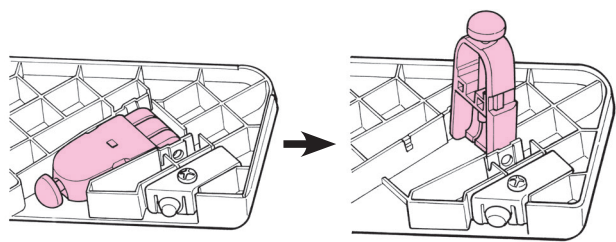


18. Cono amortiguador de vibración
19. Volante
20. Tomacorriente del controlador
21. Interruptor de la corriente eléctrica
22. Tomacorriente del cable de la corriente eléctrica
23. Varilla de soporte
24. Manija
25. Guía del bobinador de bobina
26. Palanca elevadora del pie prensatela
27. Pasador de canilla

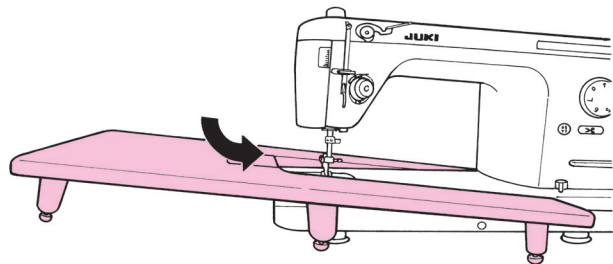


Nombre y función de cada componente

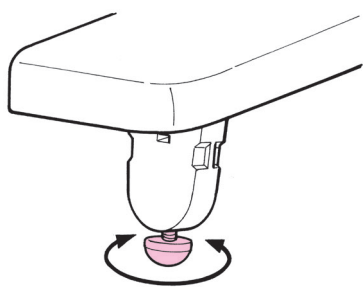
■ Instalación de la mesa auxiliar



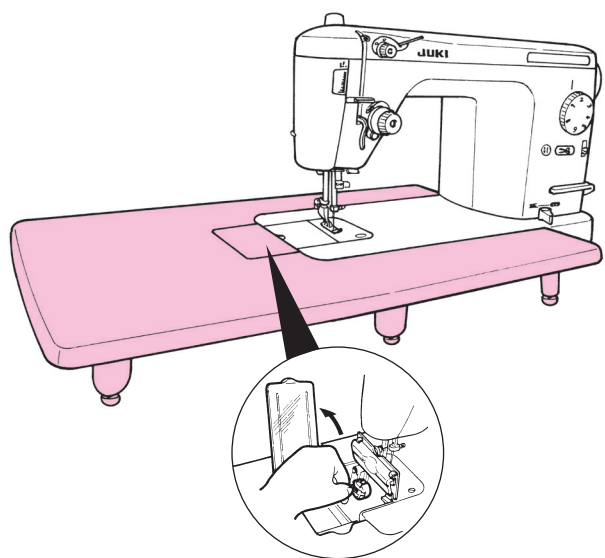
1 Abra las patas de la mesa auxiliar hasta que se detengan firmemente en la posición de parada.



2 Acople la mesa auxiliar al cuerpo de la máquina de coser.

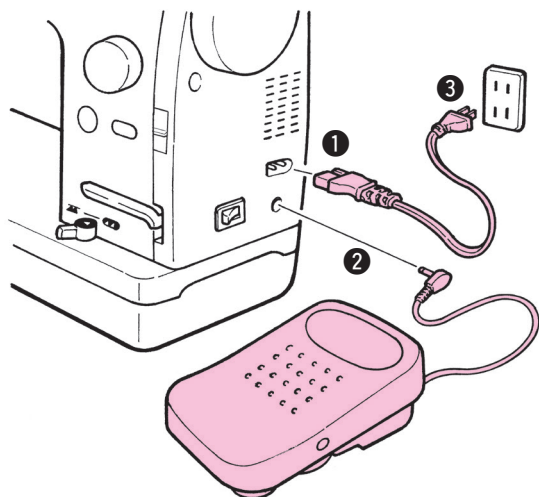


3 Ajuste la altura de las patas de modo que la superficie superior de la mesa auxiliar quede a la misma altura que el cuerpo de la máquina de coser.



4 Abra la cubierta de la mesa auxiliar cuando reemplace el hilo de la bobina.

Nombre y función de cada componente



⚠ AVISO:

Asegúrese de desactivar el interruptor de la corriente eléctrica antes de enchufar/desenchufar el controlador.

■ Modo de instalar el controlador

- 1 Inserte el enchufe del cable de la corriente eléctrica en la entrada correspondiente.
- 2 Inserte el enchufe del controlador en la entrada correspondiente.
- 3 Inserte el enchufe en el tomacorriente mural.

⚠ AVISO:

Ejecute los siguientes pasos cuando usted no está usando su máquina de coser.

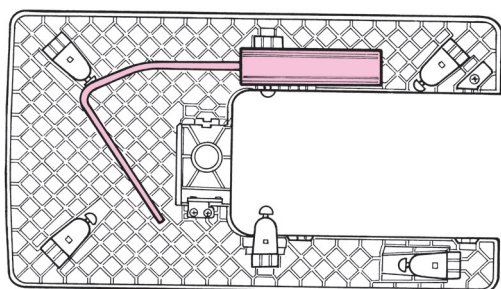
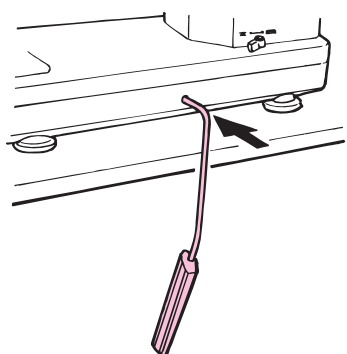
1. Cerciórese de posicionar en OFF el interruptor de la corriente eléctrica.
2. Cerciórese de extraer el enchufe del tomacorriente de pared.
3. No coloque nada encima del controlador.

⚠ ADVERTENCIA (Sólo para ee.Uu. Y Canadá)

Este aparato tiene un enchufe polarizado (una patilla más ancha que la otra). Para reducir el riesgo de descarga eléctrica, este enchufe está ideado para que encaje en una toma polarizada sólo de una forma. Si el enchufe no encaja en la toma, enchúfelo al revés.

Si todavía no encaja, póngase en contacto con un electricista cualificado para instalar la toma correcta.

No modifique el enchufe de ningún modo.

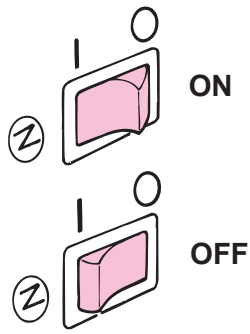


■ Modo de montar la palanca elevadora a rodilla

Con la palanca elevadora a rodilla la operadora puede subir/bajar el prensatelas sin separar la mano del material que está cosiendo. (Elevación del prensatelas: Máx. 12mm)

La palanca elevadora de rodilla se puede almacenar en el lado reverso de la mesa auxiliar.

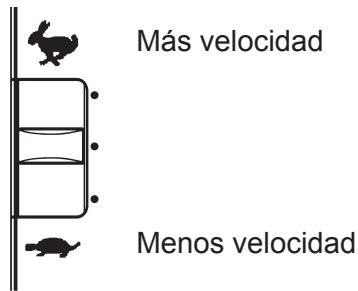
Nombre y función de cada componente



■ Interruptor de la corriente eléctrica

Se posiciona en ON cuando lo presiona en el lado hacia usted.

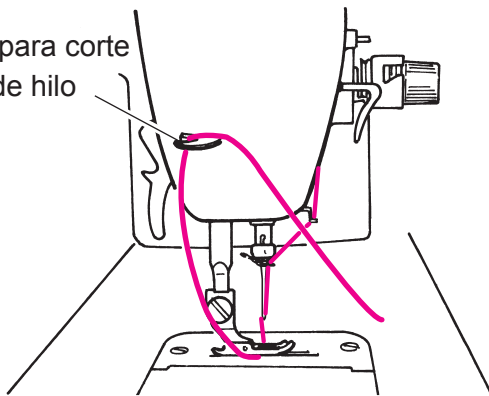
Se posiciona en OFF cuando lo presiona hacia el otro lado.



■ Perilla de control de velocidad

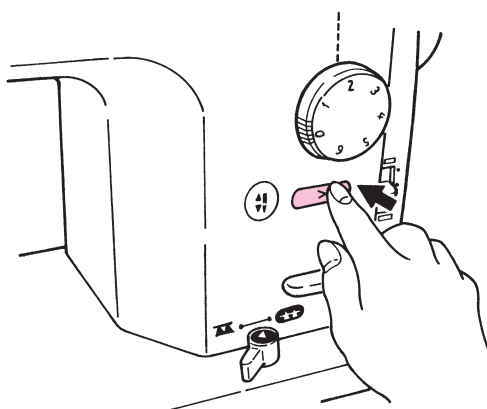
Puede ajustarse libremente la velocidad máxima de costura mediante el regulador de velocidad.

Cuchilla para corte manual de hilo



■ Cuchilla para corte manual de hilo

Eleve la aguja y el pie prensatela después de completar el cosido, extraiga el material, y corte el hilo con la cuchilla para corte manual de hilo.



Interruptor de pie del cortahilos



■ Interruptor del cortahilo automático/ interruptor del pie del cortahilo

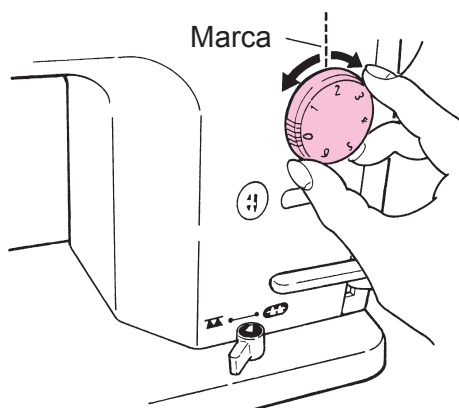
Cuando se completa el cosido, se pueden cortar simultáneamente los hilos de bobina y de aguja. Usted puede reanudar el cosido aún cuando el hilo de bobina no aparezca en la placa de agujas.

Para cortar el hilo use cualquiera de los dos interruptores.

“Interruptor de pie del cortahilos”

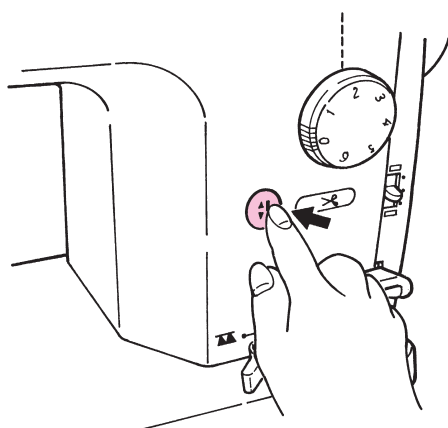
Cuando se presiona el lado de talón del interruptor de pie, se cortan los hilos.

Nombre y función de cada componente



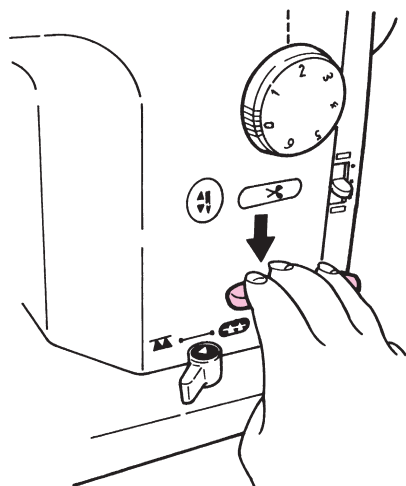
■ Cuadrante de ajuste de longitud de puntada

Stitch length for normal stitching is 2 to 2.5 mm.
(Adjusting range: 0 to 6 mm)



■ Interruptor de aguja arriba/abajo

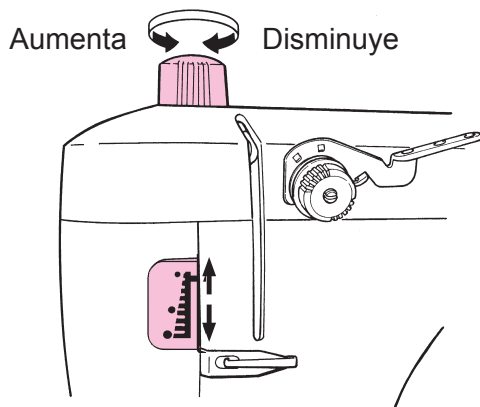
- Cada vez que se pulsa el interruptor, sube o baja la aguja.
Este interruptor se puede usar cuando se usa enhebrador de aguja o para bajar la aguja sobre el material.
- Si se presiona continuamente el interruptor, la aguja se mueve lentamente.
Sírvese usarlo cuando cosa los extremos de la tela.



■ Palanca de pespunte de transporte invertido

La costura no se deteriora cuando se ejecuta el pespunte de transporte invertido al inicio o al fin del cosido.

Nombre y función de cada componente



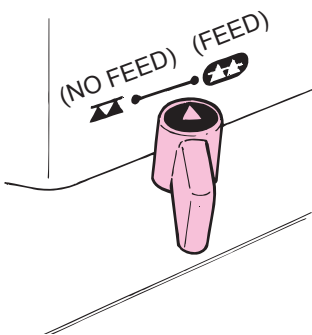
■ Regulador de presión del pie prensatela e indicador

Girando el regulador de presión del pie prensatela se ajusta la presión del pie prensatela.

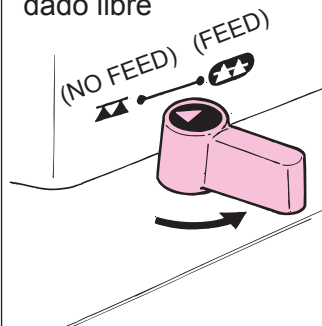
Girando el puntero del regulador del indicador sube o baja.

ES

Para pespunte normal



Para pespunte de bordado libre

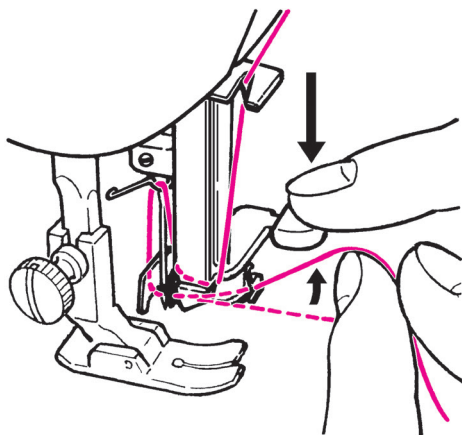


* Baja el dentado de transporte.

■ Perilla de transporte de bajada

Fiji la perilla a "FEED" para pespunte normal.

Fiji la perilla a "NO FEED" para pespunte de bordado libre.



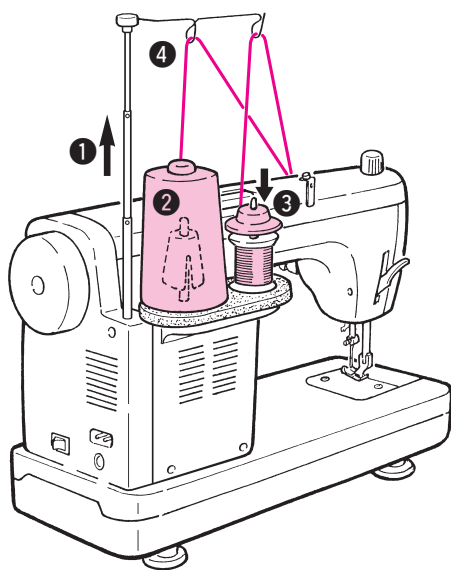
■ Palanca enhebradora de aguja (Enhebrador automático de aguja)

Baje la palanca enhebradora, pase el hilo de aguja por la palanca y pase el hilo por el ojal de la aguja. (Esta palanca se puede usar para la aguja #11-#16.)

Modo de bobinar la bobina

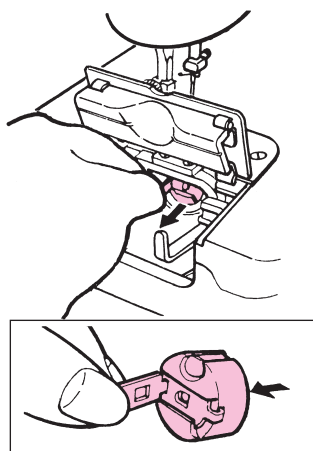
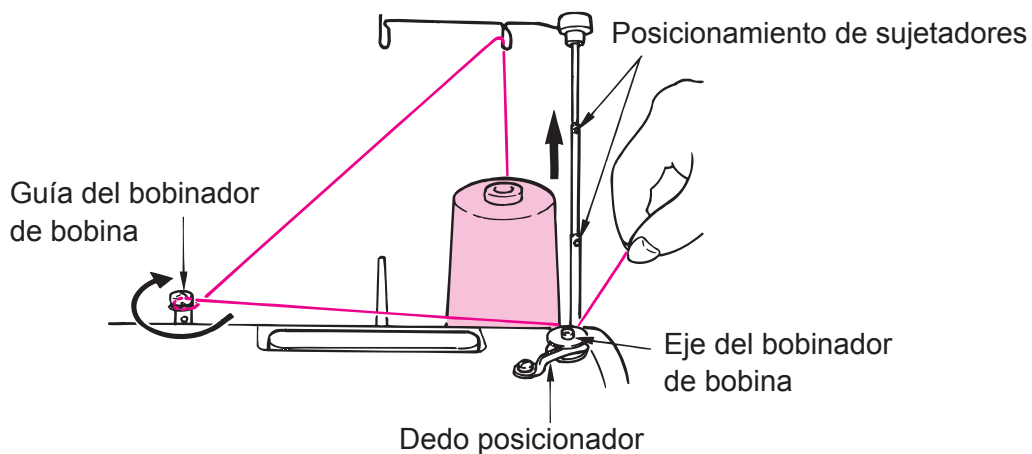


AVISO: Posicione en OFF el interruptor de la corriente eléctrica siempre que abra la placa lateral.



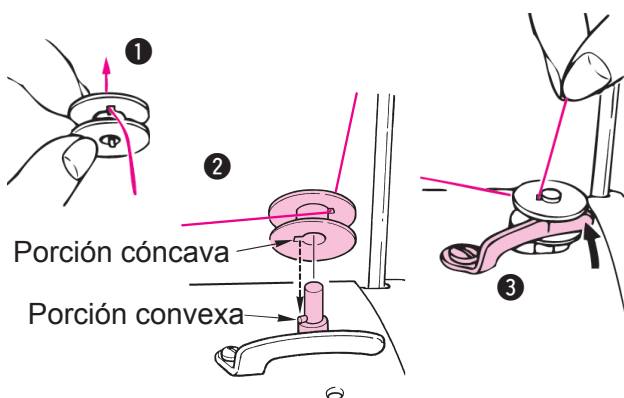
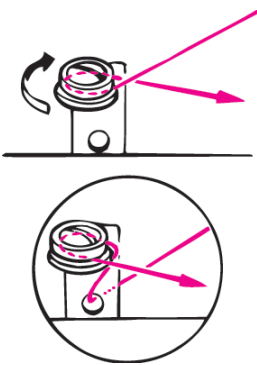
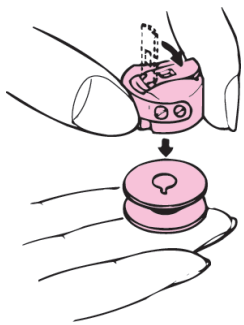
Para instalar la guía del hilo

- 1 Suba completamente la varilla de soporte, girándola un poco hasta posicionarla en el dispositivo de enganche.
- 2 Fije la canilla grande sobre el cono amortiguador de vibraciones, o el presionador de bobina.
- 3 Fije el hilo tipo-hogar en la varilla sujetadora del carrete y luego inste una tapa de carrete en su lugar.
- 4 Pase el hilo que viene desde el carrete por el pasador (varilla) de la guía del hilo justamente por encima del carrete.



1 Extraiga el portabobina.

Suba la aguja. Abra la placa deslizante para sacar el portabobina.



2 Saque la bobina del portabobina.

Accione el cerrojo para que la bobina salga del portabobina.

3 Enhebre la guía del bobinador de bobina.

Si el hilo se sale de la guía del bobinador de bobina, páselo por el agujero ubicado debajo de la guía del bobinador de bobina.

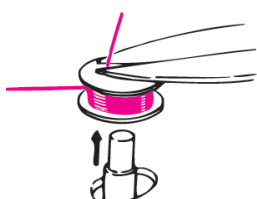
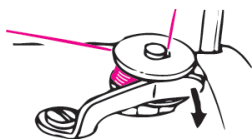
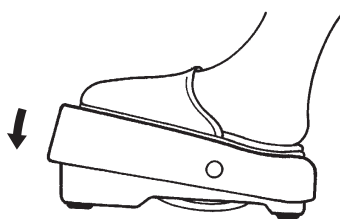
4 Modo de instalar la bobina.

- 1 Pase el hilo por el agujero de la bobina.
- 2 Ajuste la porción convexa del eje bobinador de hilo de bobina a la porción cóncava de la bobina para que la bobina quede fija.
- 3 Presione el prensador de bobina.

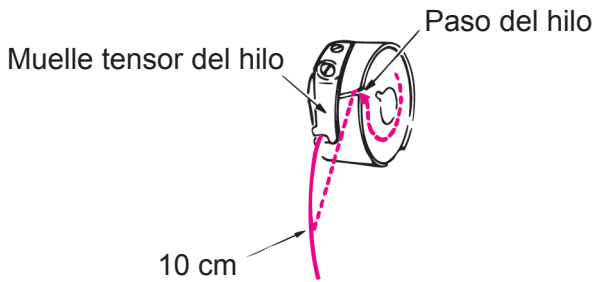
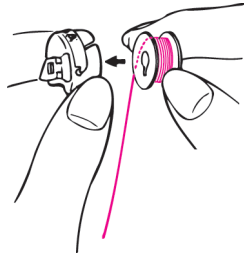
5 Inicie el bobinado de la bobina.

6 Al completar el bobinado de la bobina.

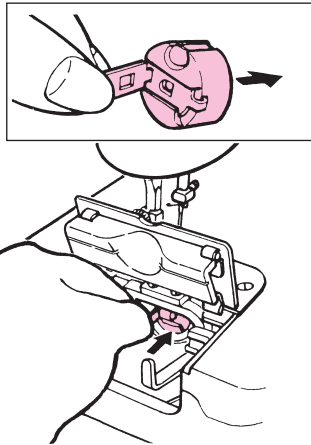
Vuelva el dedo posicionar hacia usted. Corte el hilo excesivo y saque la bobina.



Modo de bobinar la bobina



* La bobina deberá girar hacia la derecha.



7 Modo de cargar la bobina en el portabobina.

Accione el cerrojo del portabobina, y coloque la bobina dentro del portabobina de modo que la bobina gire hacia la derecha.

Pasando el hilo por la rendija de paso del hilo del portabobina, siga pasándolo por debajo del muelle tensor del hilo, y tire del extremo del hilo visible más o menos 10cm desde el portabobina.

8 Fije la bobina en la máquina de coser. Cierre la placa deslizante.

Inserte completamente el portabobina en el gancho, y cierre el cerrojo del portabobina.

■ Para ajustar la guía del bobinador de bobina

Correcto



Un bobinado de hilo enrollado en la bobina afectará adversamente la tensión del hilo de bobina.

Más grueso cuanto más abajo



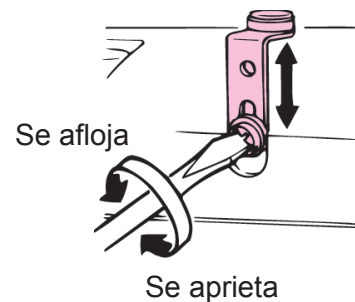
Más grueso cuanto más arriba



↑
Se mueve hacia arriba

↓
Se mueve hacia abajo

Para hacer el ajuste, afloje el tornillo de la guía del bobinador de bobina.



Modo de enhebrar la máquina



AVISO: Posicione en OFF el interruptor de la corriente eléctrica cuando enhebre o pase el hilo.

Perilla de subtensión

- Pase el hilo a través del espacio entre los dos discos de tensión.
- La tensión de hilo estándar se obtiene cuando la superficie extrema del tornillo en el centro de la perilla se encuentra al ras con la superficie extrema de la perilla.

* Para pasar el hilo a través del disco tensor **3** del hilo, primero eleve la palanca de elevación del pie prensatelas y haga espacio entre los discos tensores.

* Haga que el tirahilo **7** se posicione en el extremo superior de su carrera. Luego, pase el hilo a través del mismo.

1 Pase el hilo por la guía **1** del hilo.

Cuando use un hilo tal como hilo de nylon que se desliza fácilmente a fuera de la trayectoria del hilo, enhebre el cabezal de la máquina como se ilustra en la figura en círculo.

Disco tensor del hilo

Pase el hilo por la separación entre los dos discos tensores.

2 Enhebre el cabezal de la máquina en el orden numérico, **2** al **8**.

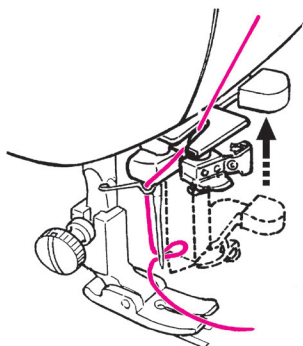
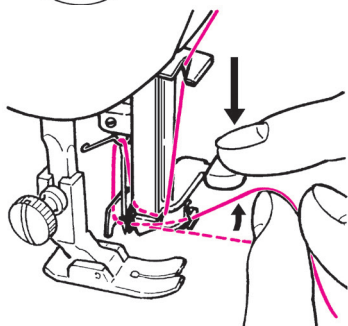
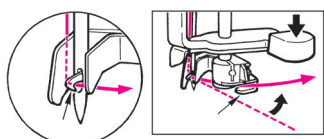
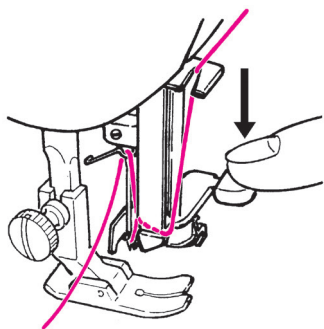
3 Pase el hilo por las guías del hilo **9** y **10**.

Modo de enhebrar la máquina

■ Enhebrador automático de aguja

1 Baje el pie prensatela y baje también la palanca enhebradora de aguja.

Lleve la aguja a la posición más alta y baje la palanca enhebradora.



2 Pase el hilo de aguja por el gancho.

Pase el hilo de aguja desde el lado opuesto a este lado, y mueva el hilo en el lado derecho hasta que haga contacto con la guía.

3 Mantenga sus dedos lejos de la palanca enhebradora de aguja.

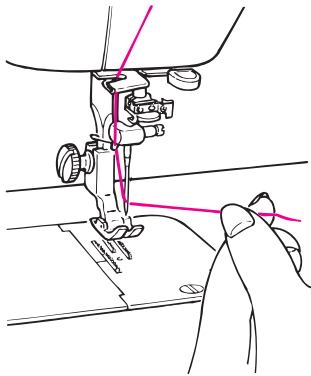
Cuando se extrae el dedo, el hilo queda atrapado en el gancho y pasa por el ojal de la aguja.

4 Para extraer el hilo de aguja.

Tire del hilo hasta que salga unos 10 cm desde el ojal de la aguja.

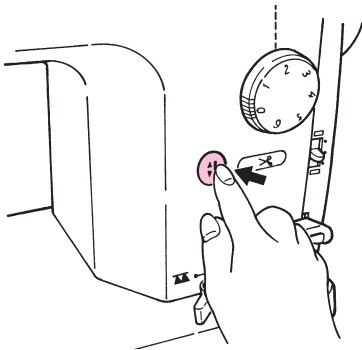
■ Modo de extraer el hilo de bobina

1 Sujete el extremo del hilo de aguja con su mano izquierda.

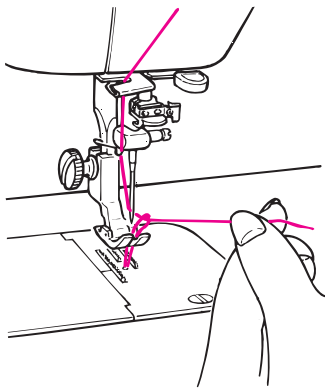


2 Presione el interruptor hacia arriba/abajo.

Normalmente, pulse dos veces, para que la aguja se mueva hacia abajo y luego hacia arriba.

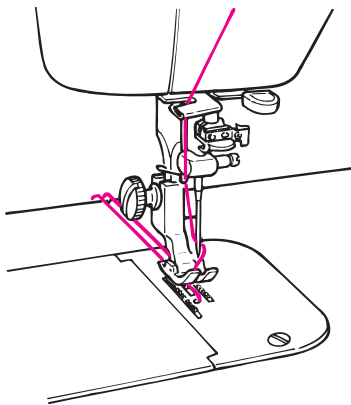


3 Sale el hilo de bobina.



4 Haga un ensayo con el hilo de aguja y el hilo de bobina de unos 10cm.

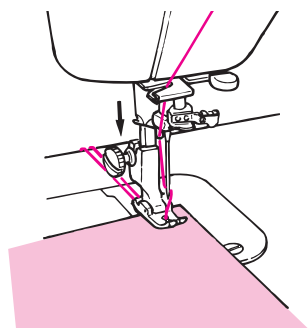
Lleve los hilos de aguja y de bobina a debajo del prensatelas, y sáquelos uniformemente desde el extremo lejano del prensatelas.



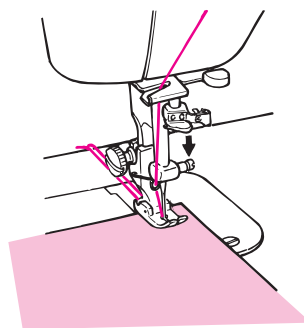
Cosido de prueba

AVISO: No coloque ningún objeto sobre el controlador que está montado en la máquina de coser.

Si comienza el cosido cuando el tirahilo está subiendo, es posible que el hilo de aguja se salga del ojal de la aguja.

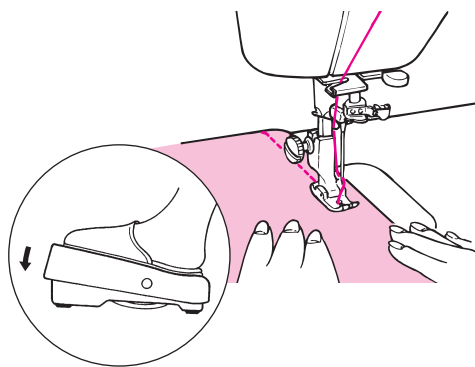


1 Coloque el material debajo del prensatelas, y baje el prensatelas.



2 Modo de bajar la aguja.

Gire el volante hacia usted o presione el interruptor de aguja hacia arriba/abajo para que baje la aguja en el material.



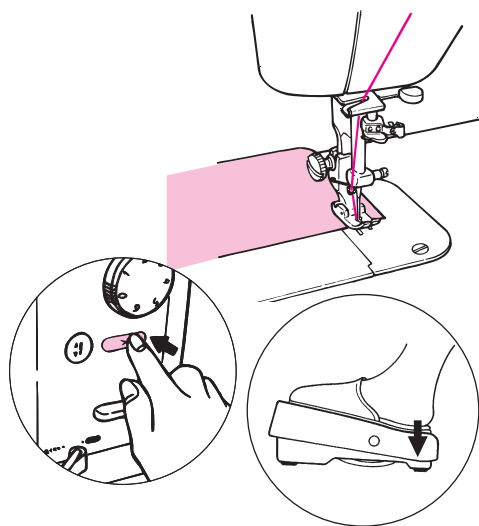
3 Ponga en funcionamiento la máquina de coser.

No tire del material con la mano durante el cosido.

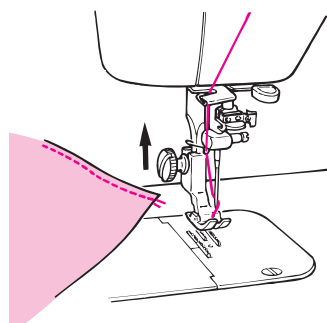
4 Cuando se haya acabado el material, pare la máquina de coser y actúe el cortahilo.

Pulse el interruptor de corte automático del hilo o presione el interruptor de pedal del cortahilo. Al actuar el cortahilo automático, la aguja se detendrá en su posición más alta. (Si usa un hilo de un grosor de cuenta #20 o más o un hilo especial, corte el hilo manualmente o con una tijeras.)

* Después de cortar el hilo, usted puede reanudar el cosido aunque el hilo de bobina no aparezca en la placa de agujas.



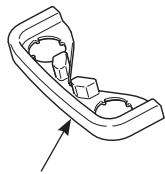
5 Eleve el prensatelas, y retire el material acabado.



Cosido de prueba

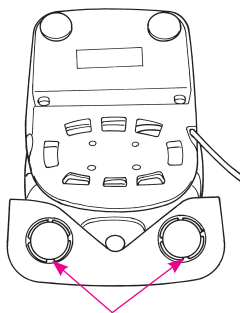
■ Para desactivar el interruptor de pie de corte de hilo

Ajuste el retén del interruptor de pie a la posición correspondiente.



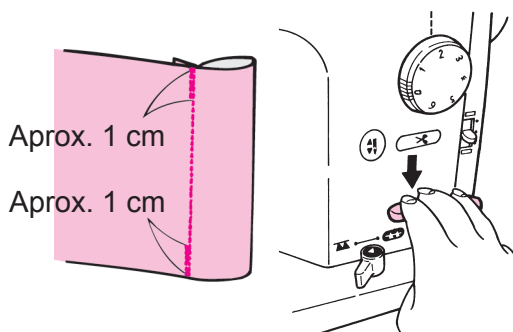
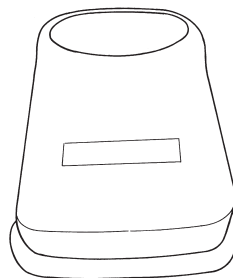
Retén del interruptor de pie

Reverso



Ajuste firmemente el retén del interruptor de pie presionando las cuatro garras.

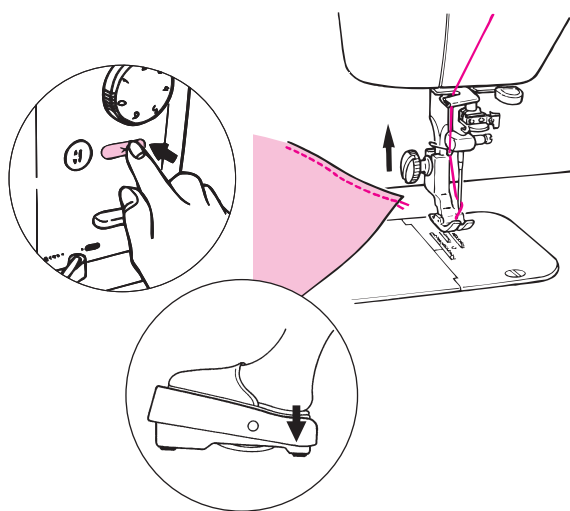
Anverso



■ Pespunte de transporte invertido (puntada de parada)

Accione hacia abajo la palanca de pespunte de transporte invertido para formar puntadas invertidas sobre las puntadas de avance más o menos 1 cm.

■ Cuando haga un nudo en el lado equivocado del material



Material (lado erróneo)

- 1 Al acabar el cosido, eleve la aguja y el prensatelas. Entonces saque los hilos de aguja y de bobina en dirección contraria a usted aproximadamente 10 cm juntamente con el material, de pedal de corte del hilo después de bajar el prensatelas. (Los hilos de aguja y de bobina se cortan automáticamente.)
- 2 Saque el hilo de aguja al lado erróneo del material. Ate el hilo de aguja y el hilo de bobina. Seguidamente, corte ambos hilos junto al nudo.

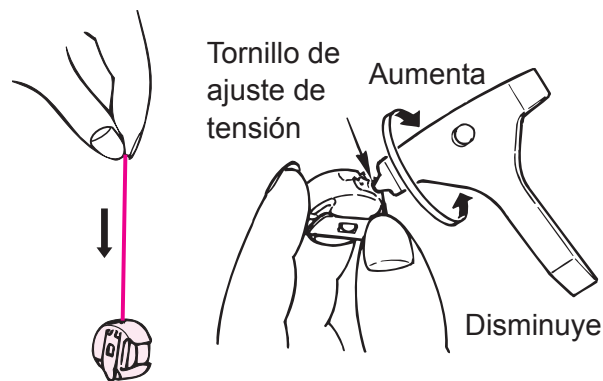
Modo de ajustar la tensión del hilo

AVISO: Posicione en OFF el interruptor de la corriente eléctrica cuando extraiga el portabobina.

La tensión estándar del hilo de bobina es tal que el portabobina baja lentamente cuando usted sujeta el extremo visible del hilo de bobina y lo agita como, o se ilustra en el lado derecho. (El grosor del hilo es #50.)

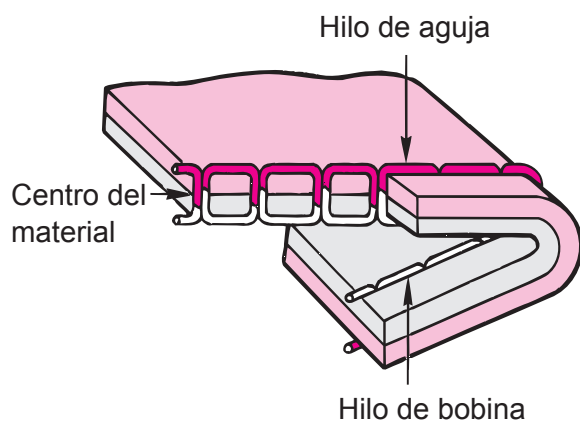
- * Ajuste la tensión del hilo de aguja en conformidad con la tensión del hilo de bobina.
- * El portabobina es una pieza exclusiva de JUKI. Cuando vaya a comprar esta pieza, sírvase consultar a los distribuidores de JUKI.

· Modo de ajustar el portabobina

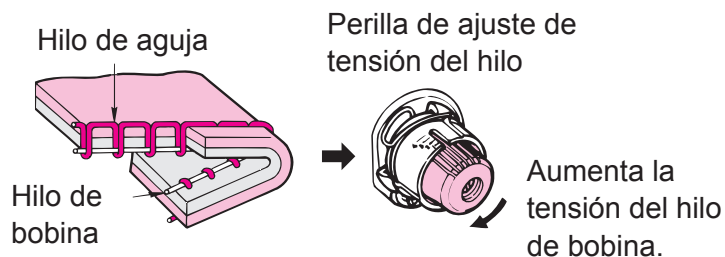


■ Tensión apropiada del hilo

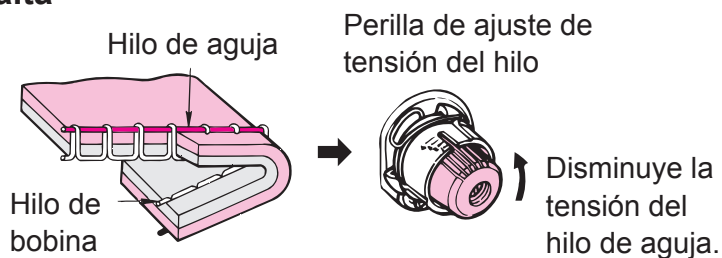
Si la tensión del hilo no está debidamente ajustada se formarán bultos en el material, puntadas deficientes, o se romperá el hilo.



La tensión del hilo de aguja está baja



La tensión del hilo de aguja está demasiado alta



Modo de ajustar la tensión del hilo

■ Relación tabulada entre el material, el hilo y la aguja

	Material	Hilo	Aguja (HAX1)
Materiales livianos	Nylón Cupro Georgette	Hilo sintético #80-#90	No.9-11
	Tricot suave		
Materiales de peso mediano	Tela anccha Guinga	Hilo de algodón #60-#80 Hilo sintético #80-#90	No.11-14
	Tejido de punto (jersey) liviano Teja sintética	Hilo sintético #50-#60	
	Flanela Lana	Hilo sintético #50-#60 Hilo de seda #50	
Materiales pesados	Denim	Hilo sintético #20-#50 Hilo de algodón #20-#50	No.14-18
	Lona	Hilo sintético #30-#50	
	Tweed	Hilo sintético #50 Hilo de seda #50	
	Piel artificial	Hilo sintético #20-#30	

■ Pespunta entrelazado de remates

Con esta máquina de coser, usted puede hacer elegantes costuras de remate con una longitud de puntada de hasta 6 mm.

Usted puede usar varios hilos desde el hilo de cosido estándar hasta hilo de pespunte entrelazado de remate #8. Cambie la aguja de acuerdo al hilo que use (vea la tabla de la derecha).

Grosor de hilo	Tamaño de aguja
#80-50	No.11
#60-50	No.14(11)
#50-30	No.16
#20-8	No.18

Modo de ajustar la tensión del hilo

AVISO: Posicione en OFF el interruptor de la corriente eléctrica cuando reemplace la aguja.

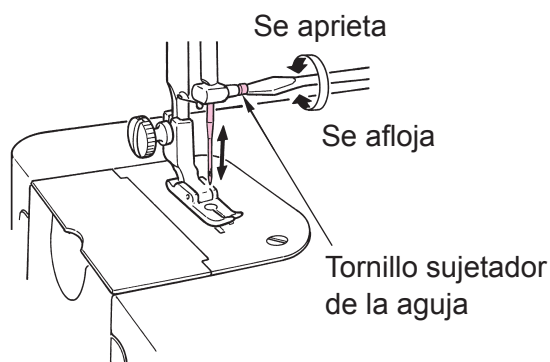
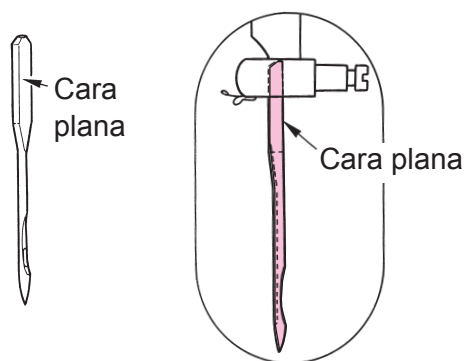


Figura vista desde la parte frontal



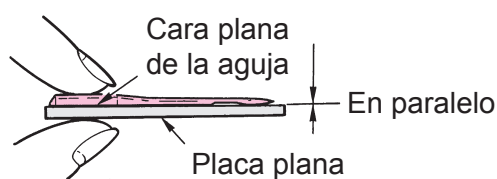
■ Modo de colocar la aguja

1. Desconecte la alimentación eléctrica.
2. Baje el prensatelas.
3. Mueva la barra de aguja hacia arriba hasta la posición más alta de su recorrido.
4. Con la cara plana de la nueva aguja mirando hacia la derecha, inserte la nueva aguja en la barra de aguja todo lo que pueda entrar. Ahora apriete el tornillo sujetador de la aguja.

* Se debe usar la aguja HAx1.

■ Modo de comprobar la aguja

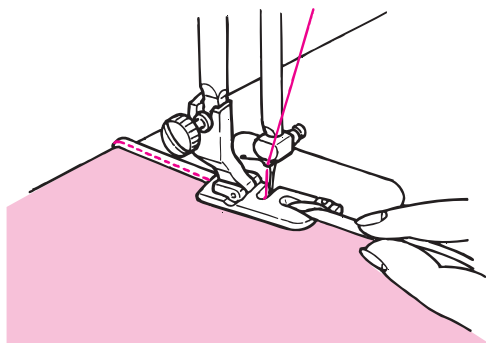
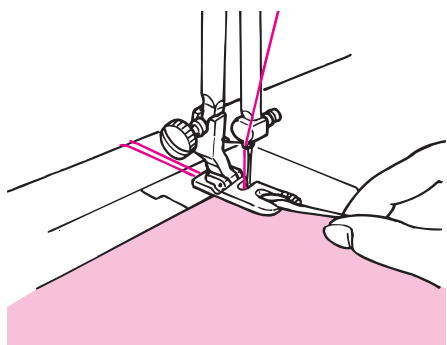
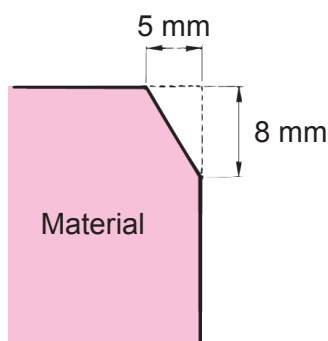
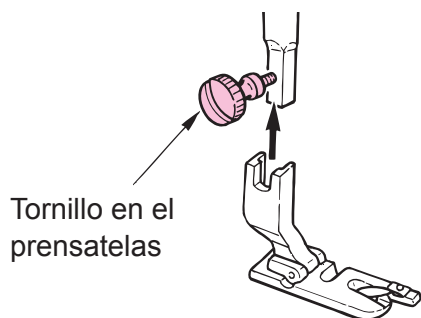
De vez en cuando compruebe si la aguja está bien recta. Cualquier defecto en la aguja puede causar rotura de la aguja, salto de puntadas, rotura del hilo y daños en la tela.



Dobladillado rotativo



AVISO: Cuando cambie el prensatelas posicione en OFF el interruptor de la corriente eléctrica.



1 Instale el sujetador del dobladillo.

Desconecte la alimentación eléctrica. Afloje el tornillo en el prensatelas, y coloque el sujetador de dobladillo.

2 Corte la esquina del material.

Corte parte de la esquina del material para que el sujetador de dobladillo pueda dobladillar el borde del material.

3 Encaje el borde del material cortado en la muesca del vórtice en el sujetador del dobladillo.

Encaje el material en la muesca del vórtice en el sujetador del dobladillo hasta que la aguja bajada llegue al material, y baje el sujetador del dobladillo.

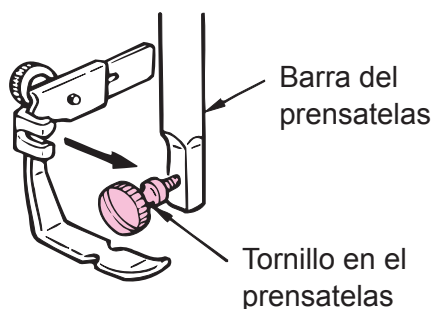
4 Dobladille el borde del material a la vez que ayuda con la mano a que el material entre en la ranura del vórtice.

Saque con la mano la aguja y los extremos del hilo de bobina, girando el volante 3 ó 4 vueltas hasta que vea que el borde del material queda enrollado en la ranura del vórtice.

Seguidamente, dobladille el borde del material mientras continúa agarrando con el dedo pulgar y el dedo índice de su mano derecha el borde del material para asegurarse de que se transporta la cantidad de material apropiada con consistencia al sujetador de dobladillado.

Modo de colocar una cremallera

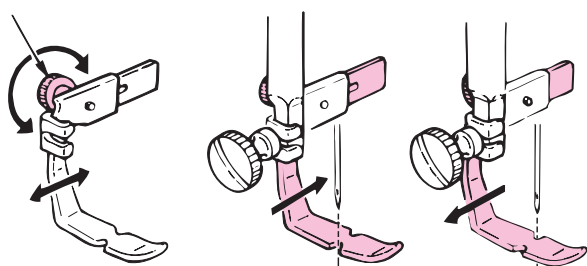
AVISO: Cuando cambie el prensatelas posicione en OFF el interruptor de la corriente eléctrica.



1 Instale un pie colocador de cremalleras.

Desconecte la alimentación eléctrica. Afloje el tornillo en el prensatelas, y coloque el pie colocador de cremalleras en el lado lejano al prensatelas observando desde usted mismo.

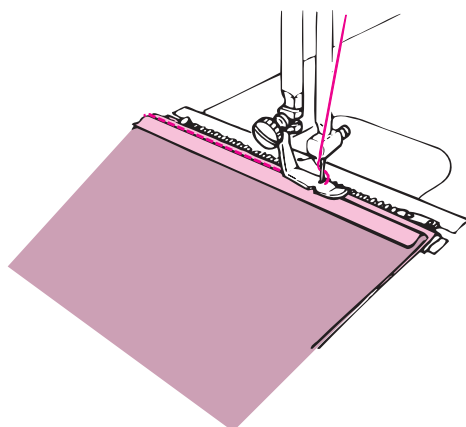
Tornillo selector de posición del prensatelas



2 Gire el tornillo selector de posición del prensatelas para mover el prensatelas hasta obtener el punto correcto de entrada de la aguja.

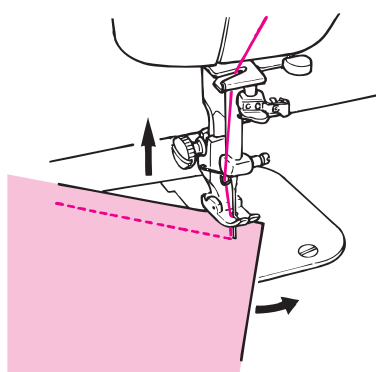
Cuando cose el lado izquierdo de la cremallera, mueva el prensatelas hacia la izquierda.

Cuando cose el lado derecho de la misma, mueva el prensatelas hacia la derecha.



■ Modo de cambiar la dirección de cosido

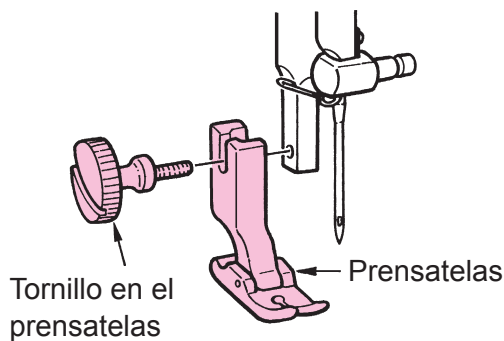
1. Mantenga la aguja en su posición baja.
2. Eleve el prensatelas, y gire el material en la dirección deseada.



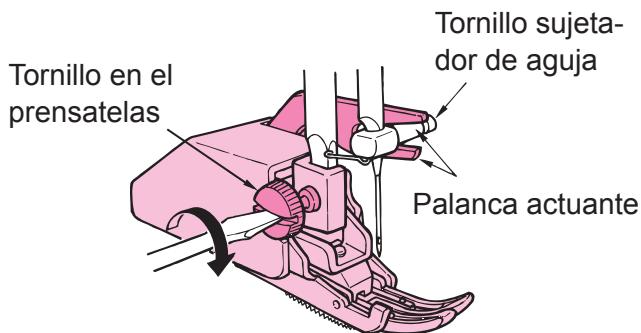
Prensatelas de transporte superior

AVISO: Cuando cambie el prensatelas posicione en OFF el interruptor de la corriente eléctrica.

Generalmente, este pie prensatela se usa para materiales de transporte difícil o para materiales de difícil manejo como terciopelo, jerséis, vinilo, material de cuero artificial, cuero, etc. Así el transporte del material se ejecuta suavemente y se evita que el material se deslice.



1 Desconecte la alimentación eléctrica y retire el prensatelas.



2 Instale el prensatelas de transporte superior.

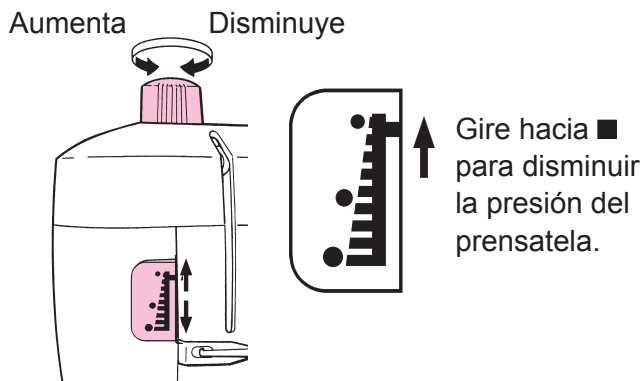
Encaje la porción en horquilla de la pranaca actuante en el sujetador de aguja, inserte la porción de instalación en la barra del prensatelas, y apriete bien el tornillo en el prensatelas.

Una vez instalado el prensatelas, gire el volante con la mano en la dirección de cosido para confirmar la posición correcta de la horquilla, y luego conecte la alimentación eléctrica.

* Gire el regulador de presión del pie prensatela para fijarlo a presión "baja".

(Fije la presión al punto "más bajo" cuando cosa materiales de terciopelo.)

Use la máquina de coser a velocidad media.



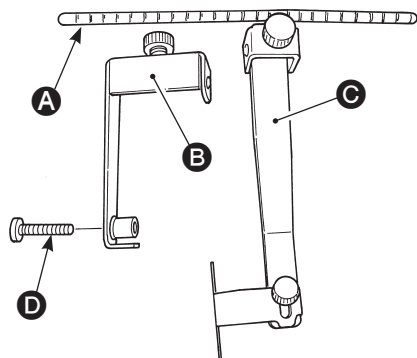
Prensatelas de transporte superior - Guía de acolchado para prensatelas de transporte uniforme

AVISO: Cuando cambie el prensatelas posicione en OFF el interruptor de la corriente eléctrica.

■ Acolchado con guía de acolchado para prensatelas de transporte uniforme

Las puntadas se pueden coser a intervalos regulares usando el prensatelas móvil.

* Use la máquina de coser a velocidad media.

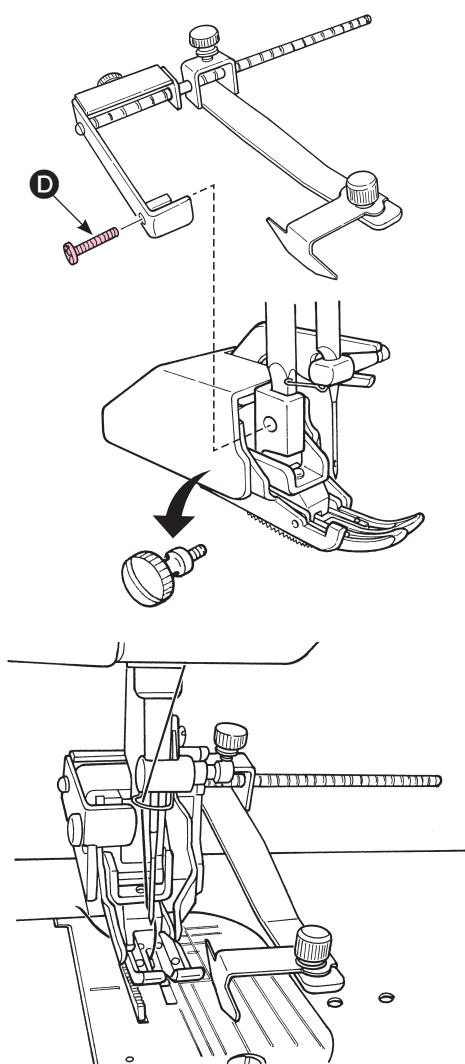


1 Compruebe las piezas correspondientes.

- A** Barra de guía de puntadas x 1
- B** Base de guía de puntadas x 1
- C** Guía de puntadas x 1
- D** Tornillo x 1

2 Montaje e instalación de la regla de puntadas.

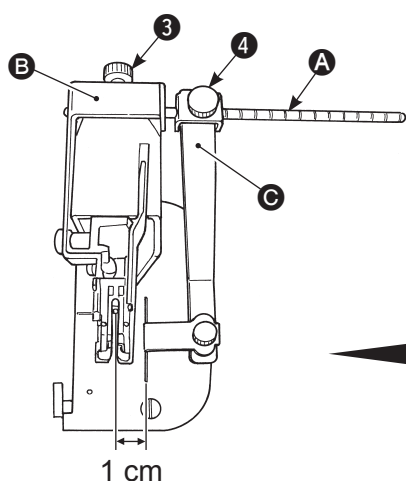
Retire el tornillo de fijación del prensatelas móvil. Alineando las secciones de montaje de la regla de puntadas y el prensatelas móvil conjuntamente, apriete firmemente **el tornillo D de fijación del prensatelas móvil**.



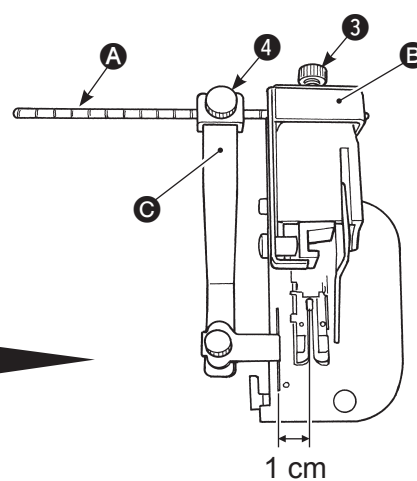
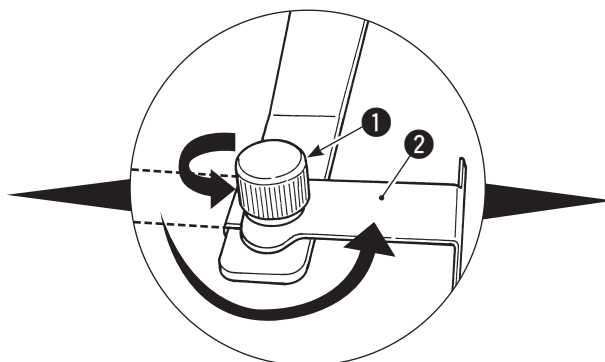
(Ejemplo: En caso de que se guíe el material de modo que quede a 1 cm de distancia de la posición de la aguja.)

Cuando la guía se instala a la derecha de la aguja

- ① Alineando la marca de extrema izquierda de la escala en la barra **A** de la guía con el borde izquierdo de la base **B** de la guía, apriete el tornillo de fijación **3**.
- ② Alineando la guía **C** con la primera marca de la escala desde el borde derecho de la base **B** de la guía, apriete el tornillo de fijación **4**. La distancia desde la posición de la aguja a la guía debe ser 1 cm.



El intervalo de las marcas de la escala en la barra de guía es de 5 mm.



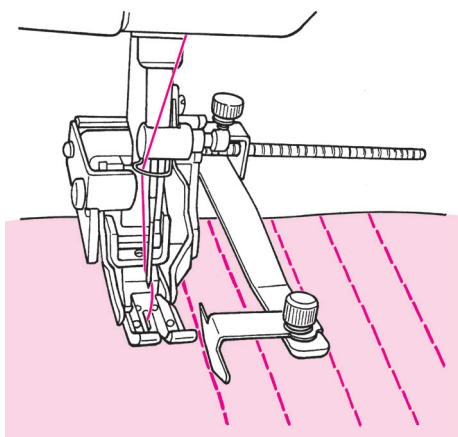
Retire el tornillo de fijación **1**. La regla de puntadas se puede utilizar tanto en el lado derecho como en el izquierdo cambiando la posición de montaje de la sección de guía **2** de derecha a izquierda o viceversa.

3 Ajuste de posición de la guía.

Ajuste la posición de la guía con respecto a la posición de la aguja y la relación posicional entre la escala de la barra y la guía. Apriete firmemente el tornillo de fijación.

4 Cosa utilizando la guía como referencia.

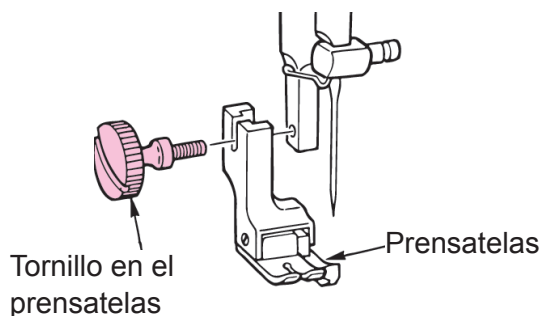
Las puntadas se pueden coser manteniendo los intervalos regulares de puntadas.



Prensatelas de compensación

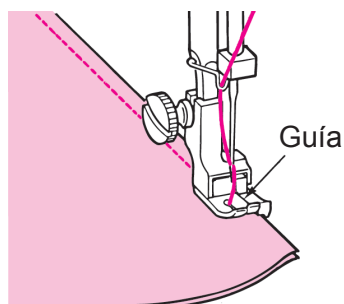
AVISO: Cuando cambie el prensatelas posicione en OFF el interruptor de la corriente eléctrica.

Es conveniente coser el extremo del material recto.



1 Instale el prensatelas de compensación.

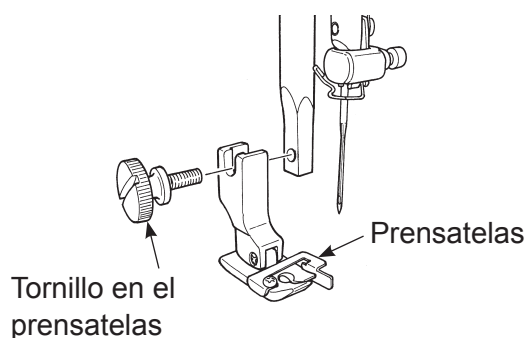
2 Encaje el material en guía cóselo.



Prensatelas de 1/4" (7mm)

AVISO: Cuando cambie el prensatelas posicione en OFF el interruptor de la corriente eléctrica.

Se provee una guía para un margen de costura de 1/4" (7mm) para acolchado de retazos (patchwork).

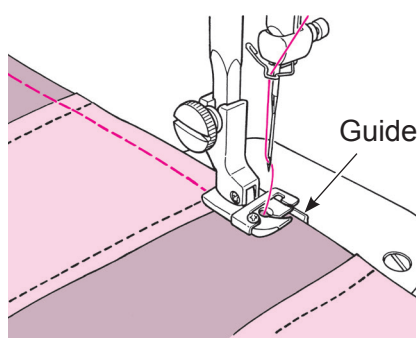


1 Instale el prensatelas de 1/4" (7mm).

Coloque flojamente el tornillo de fijación del prensatelas. Luego, instale el prensatelas de 1/4" (7mm) y apriete firmemente el tornillo de fijación.

2 Cosa la tela alineando su borde con la guía.

Las puntadas se pueden coser en la posición que corresponda a un margen de 1/4" (7mm) desde la guía.



Prensatelas de acolchado



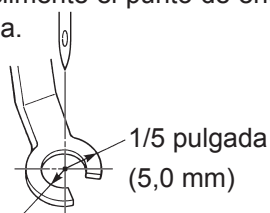
AVISO: Cuando cambie el prensatelas posicione en OFF el interruptor de la corriente eléctrica.

Este prensatelas de acolchado es útil para el acolchado de movimiento libre, acolchado junto con el patrón, bordado a mano alzada, etc.

* No haga funcionar la máquina de coser en vacío cuando el prensatelas de acolchado se encuentra en su posición superior.

● Tipo frontal abierto

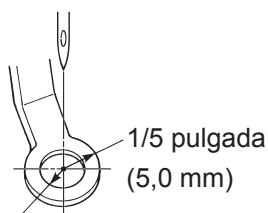
Este tipo es apropiado para el acolchado de movimiento libre. Como la parte frontal está abierta, permite observar fácilmente el punto de entrada de la aguja.



1/8 pulgada (3,2 mm)

● Tipo 1/5 pulgada = 5,0 mm

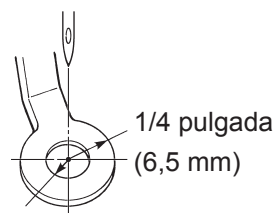
Este tipo es apropiado para el acolchado de movimiento libre en general.



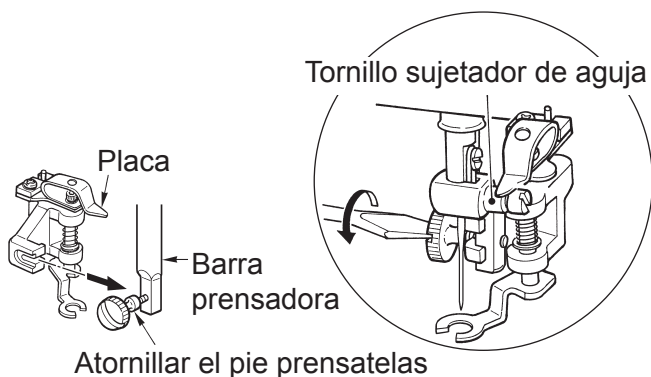
1/8 pulgada (3,2 mm)

● Tipo 1/4 pulgada = 6,5 mm

Este tipo es apropiado como guía para coser puntadas a intervalos regulares.



1/8 pulgada (3,2 mm)

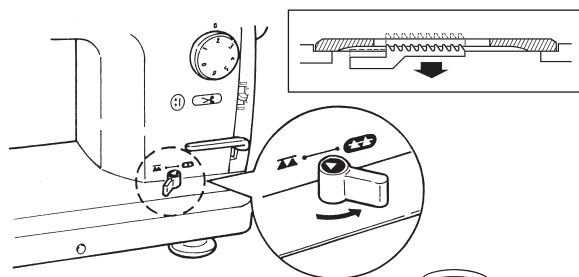


Atornillar el pie prensatelas

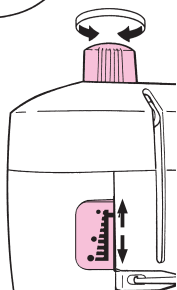
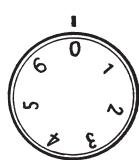
1 Desconecte la alimentación eléctrica. Para instalar el prensatelas de acolchado.

Coloque la placa en el tornillo sujetador de aguja, inserte la parte de instalación dentro de la barra prensadora, y apriete firmemente el tornillo en el pie prensatelas.

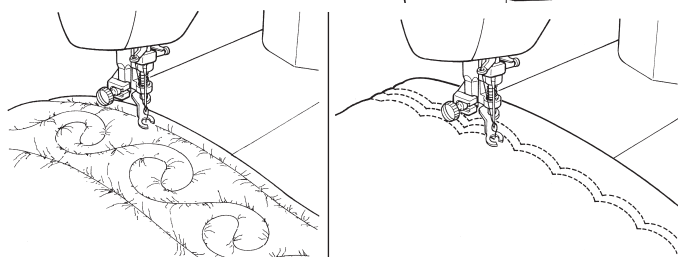
2 Ajuste el dentado de transporte a su posición inferior.



3 Posicione en "0" el cuadrante de ajuste de longitud de puntada. Gire el regulador de presión del pie prensatela hasta que la barra azul llegue al tope de la ventanilla indicadora de presión.



4 Baje el prensatelas e inicie el cosido.



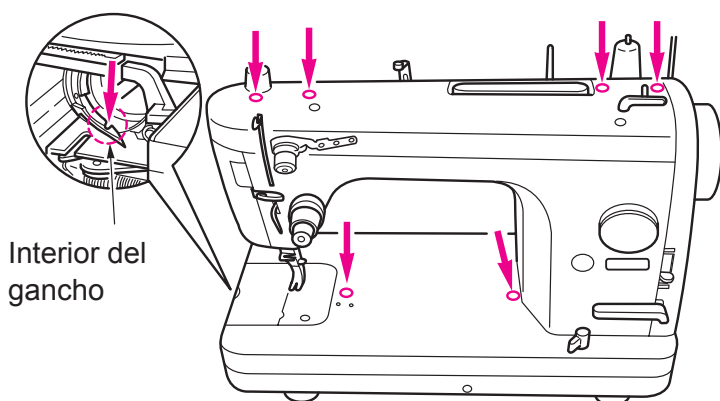
Mantenimiento y lubricación

AVISO: Desconecte sin falta la corriente eléctrica de la máquina de coser y extraiga el enchufe del tomacorriente de la pared cuando limpie o lubrique la máquina de coser.



■ Modo de limpiar el dentado de transporte y el gancho

- Desconecte la alimentación eléctrica. Desmonte la aguja, el prensatelas y la placa de agujas. Ahora, limpie el dentado de transporte y los componentes del gancho con un cepillo de limpiar.
- La cubierta de la placa inferior está diseñada de modo que se abra cuando se limpien los componentes del gancho o cuando una bobina se haya caído por descuido.



Lubrique la máquina de coser después de extraer el portabobina.

■ Modo de lubricar la máquina

- Aplique unas pocas gotas de aceite a cada uno de los puntos en flecha que se muestran en el lado derecho.
- Utilice el aceite de máquina que se suministra con la máquina de coser, o el aceite New Defrix Oil No. 1 o equivalente.
- Lubrique la máquina de coser una vez al día si la usa todos los días.
- Aplique una mayor cantidad de aceite (aproximadamente 5 a 7 gotas) a las piezas correspondientes de la máquina de coser después de su desembalaje o cuando utilice la máquina de coser después de un período prolongado de desuso (aproximadamente dos meses). Tenga cuidado para no aplicar una cantidad excesiva de aceite a la barra de agujas y la sección alrededor del gancho dado que el aceite puede gotear sobre la tela durante la lubricación.
- Cerciórese de ejecutar siempre cosido de prueba después de lubricar la máquina de coser.

Precauciones que se deben tomar al manipular aceite

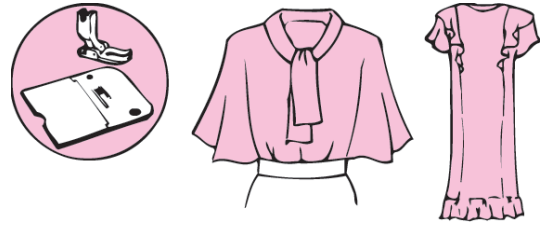
- * En caso de que el aceite entre en el ojo o se adhiera a la piel, lávese inmediatamente con el fin de prevenir la irritación y erupción cutánea.
- * En caso de ingestión accidental, acuda inmediatamente para consejo médico con el fin de prevenir la diarrea y los vómitos.
- * Mantenga el aceite lejos de los niños.
- * El contenedor para el aceite de desecho está obligado por la legislación. Deseche el aceite adecuadamente, de acuerdo con la legislación pertinente.

Información sobre las piezas opcionales



AVISO: Cuando cambie el prensatelas posicione en OFF el interruptor de la corriente eléctrica.

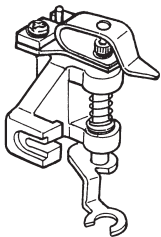
■ Prensatelas y placa de agujas para materiales livianos



Se aplica para coser materiales livianos como nylon, georgette, tricot, etc.

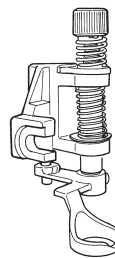
■ Placa de agujas para materiales pesados

■ Prensatelas de acolchado con dedo abierto lateral



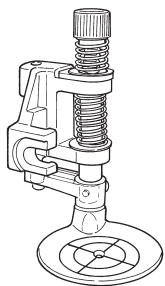
Este prensatelas es útil para el acolchado de movimiento libre cuando la máquina de coser se coloca longitudinalmente con respecto al operador.

■ Prensatelas de 1/4" (para regla)



Este prensatelas de acolchado es útil para el acolchado de movimiento libre cuando simultáneamente se guía la tela a lo largo de la regla.

■ Prensatelas de acolchado en eco



Este prensatelas de acolchado es útil para el acolchado en eco de movimiento libre.

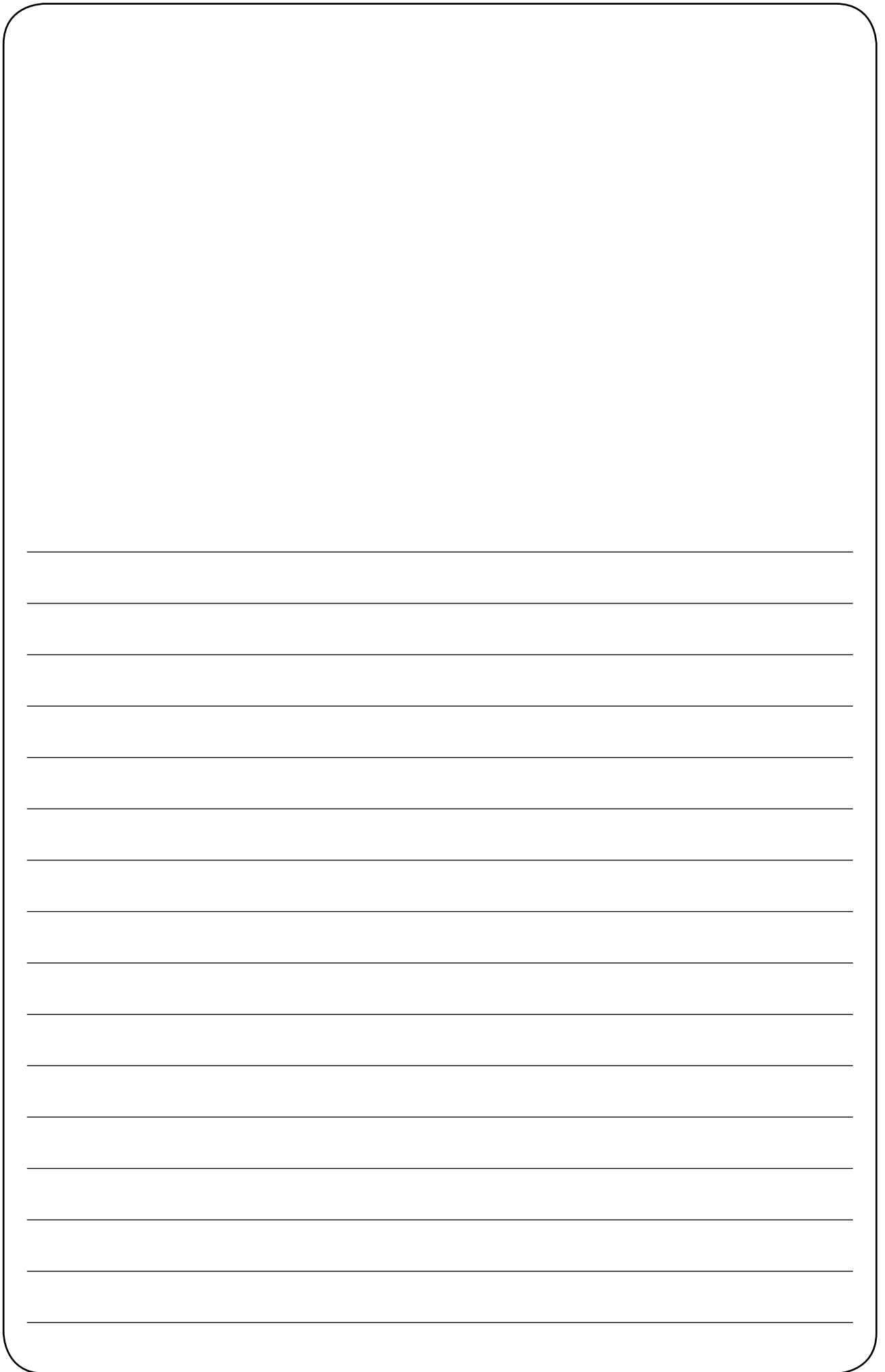
* Cuando usted tenga que comprar las piezas opcionales, le aconsejamos que consulte al distribuidor de JUKI.

Problemas y Medidas Correctivas

Si se presentan dificultades en el cosido, consulte sin falta las instrucciones para cerciorarse de que las ha entendido correctamente. Si se presenta algún problema, le ayudarán a resolverlos leyendo las precauciones que damos a continuación.

Problemas	Causas	Medida correctivas	Página
Salto de puntadas	1. La aguja está doblada o la aguja está roma.	• Reemplace la aguja.	22
	2. La aguja no está bien colocada en la barra de agujas.	• Coloque debidamente la aguja en la barra de agujas.	22
Se de el hilo de aguja	1. El cabezal de la máquina está mal enhebrado.	• Corrija el enhebrado.	15-17
	2. La tensión del hilo de aguja está demasiado alta o demasiado baja.	• Ajuste debidamente la tensión del hilo.	20
	3. La aguja está doblada o la punta de la aguja está roma.	• Reemplace la aguja.	22
	4. La aguja no es la adecuada para el material.	• Reemplace la aguja por otra que se acomode al hilo que se está usando.	21
El hilo de bobina	1. La tensión hilo de bobina demasiado alta.	• Disminuya la tensión.	20
	2. La fricción del muelle del portabobina ha producido desgaste de cansal.	• Reemplace el portabobina.	-
	3. Raspaduras en el agujero de la placa de agujas.	• Reemplace el placa de agujas.	-
Se rompe la aguja	1. La aguja está doblada o se ha colocado incorrectamente.	• Reemplace o coloque la aguja correctamente.	22
	2. La aguja golpea la placa de agujas o el prensatelas.	• Posicione correctamente la aguja, la placa de agujas o el prensatelas.	-
Las puntadas forman fruncido	1. El prensatelas aplica demasiada presión al material.	• Disminuya la presión del prensatelas.	11
	2. La tensión del hilo de aguja no está balanceada con la del hilo de bobina.	• Equilibre las tensiones.	20
	3. Cuando no es propia la combinación de aguja e hilo.	• Corrija debidamente la combinación de aguja e hilo.	21
	4. La aguja es demasiado gruesa para el material.	• Reemplace la aguja por el apropiada al material.	21
El comportamiento de las puntadas es malo	1. La tensión del hilo de aguja no está balanceada con la del hilo de bobina.	• Equilibre las tensiones.	20

Problemas	Causas	Medida correctivas	Página
El ruido rotacional es demasiado intenso o demasiado alto	1. Se ha acumulado polvo en el dentado de transporte.	• Eject el mantenimiento de su máquina de coser.	30
	2. Se ha gastado el aceite en la máquina bebido a uso prolongado.	• Eject el mantenimiento de su máquina de coser.	30
	3. Se está usando aceite diferente a la que es exclusiva para la máquina de coser.	• Apique aceite apropiado a su eject el mantenimiento de su máquina de coser.	30
	4. Se han acumulado brinas de hilo en el dentado de transporte.	• Limpie bien su maquina de coser.	30
El volante o no gira con suavidad o no gira	1. El hilo se ha enredado y atrapado en el gancho.	• Lubrique el gancho, gire con fuerza el volante hacia la derecha y hacia la izquierda varias veces, y luego desenrede el hilo atrapado en gancho.	-
No se puede transportar el material	1. La longitud de punta está fijada a "0".	• Fije la puntada a un valor apropiado.	10
	2. La perilla de transporte de bajada está fijada a "NO FEED".	• Fije la perilla de transporte de bajada a "FEED".	11
	3. La presión del prensatelas está demasiado baja.	• Gire el regulador del muelle para aumentar la presión debidamente.	11
No se puede ejecutar el enhebrado de aguja.	1. Cuando no ha subido la aguja.	• Gire el volante o presione el interruptor hacia arriba/hacia abajo para llevar la aguja a la posición más alta.	10
	2. Cuando la aguja no se ha insertado hasta que ya no pueda entrar más al tiempo de colocar la aguja.	• Inserte la aguja correctamente.	22
	3. Cuando por equivocación la máquina de coser se ha girado con la palanca enhebradora de aguja bajada (durante el enhebrado).	• Gire un poco el volante con la mano hacia el lado opuesto (opuesto a la dirección al tiempo del cosido).	-



“NOTES DE SECURITE IMPORTANTES”

Lorsque vous utilisez un appareil électrique, des précautions élémentaires doivent toujours être suivies, comme celles-ci. Lisez attentivement ces instructions avant d'utiliser cette machine à coudre.

“DANGER ____ Pour réduire le risque d'électrocution:”


1. L'appareil ne doit jamais être laissé sans surveillance une fois branché.
2. Toujours débrancher cet appareil du secteur immédiatement après utilisation et avant de le nettoyer

“ATTENTION ____ Pour les risques de brûlure, électrocutions et de blessures:”

1. Ne pas prendre la machine domestique pour un jouet. La plus grande prudence est de mise quand la machine est utilisée par des enfants ou quand elle se trouve à leur proximité. Cette machine à coudre peut être utilisée par des enfants âgés de 8 ans et plus ainsi que par les personnes ayant des capacités physiques, sensorielles ou mentales réduites, ou le manque d'expérience et de connaissances seulement si elles ont été formées et ont reçues les instructions concernant l'utilisation de la machine à coudre de manière sûre et comprendre les risques encourus. Les enfants ne doivent pas jouer avec la machine à coudre. Le nettoyage et l'entretien ne doit pas être fait par des enfants sans surveillance.
2. N'utiliser cet appareil que dans le cadre de ses fonctions, mentionnées dans le présent manuel. N'utiliser que les pièces fournies ou recommandées par le fabricant dans ce manuel.
3. Ne pas utiliser cet appareil si une de ses prises ou cordons est endommagée, ou s'il ne fonctionne pas correctement. S'il est tombé, a été endommagé, tombé dans l'eau, retournez l'appareil auprès de votre revendeur le plus proche pour une réparation, ou une vérification technique ou électrique.
4. Ne jamais utiliser cet appareil dans un lieu dépourvu d'aération. Maintenez une ventilation suffisante autour de la machine et du rhéostat et éviter la poussière et les chutes de tissus aux alentours des sources d'aération de la machine.
5. Eloigner vos doigts des pièces mobiles de la machine. Faites particulièrement attention aux mouvements de l'aiguille.
6. Toujours utiliser la plaque aiguille appropriée. Un plaque non appropriée peut faire casser l'aiguille.
7. Ne pas utiliser d'aiguilles courbes.
8. Ne pas tirer ou pousser le tissu lorsque vous cousez., cela pourrait abîmer, voire casser l'aiguille.
9. Mettre la machine à coudre hors tension « O » avant de faire tout réglage dans la zone de l'aiguille, comme enfiler ou remplacer l'aiguille, enfiler le fil de la canette ou remplacer le pied presseur.
10. Débranchez toujours votre machine lorsque vous ôtez le capot, lorsque vous la nettoyez, ou pour tout autre manipulation mentionnée dans le manuel d'instruction.
11. Ne jamais laisser d'objet entrer dans les ouvertures de la machine.
12. Ne pas utiliser à l'extérieur.
13. Ne pas utiliser lorsqu'un aérosol a été pulvérisé, ou lorsque de l'oxygène a été administré.
14. Avant de débrancher la machine, mettre l'interrupteur en position éteint (“O”).
15. Ne pas débrancher en tirant sur le cordon. Pour débrancher, tenir la prise, pas le cordon.
16. En cas de non-utilisation, l'appareil doit, en principe, être séparé du réseau en retirant la prise.
17. Si le cordon spécial de cet appareil est endommagé, il doit être remplacé par votre agent autorisé le plus proche ou dans un centre de service.
18. Cette machine est équipée d'une double isolation (sauf aux USA / au CANADA). N'employer que des pièces de rechange originales. Se reporter aux indication pour la remise en état des produits à isolation double.

“ENTRETIEN DES PRODUITS A DOUBLE ISOLATION (Excepté USA / Canada)”

Un produit à double isolation est équipé de deux isolations au lieu d'une mise à la terre. La mise à la terre n'est pas prévue sur un produit à double isolation et ne devrait donc pas être employée. L'entretien d'un produit à double isolation qui exige de grands soins et des connaissances poussées sur le système, doit donc être réalisé seulement par du personnel qualifié. N'employer que des pièces de rechange originales pour l'entretien et la réparation. Un produit à double isolation est désigné de la manière suivante: “Isolation double” ou “A double isolement”.

Le symbole  peut également caractériser un tel produit.

“PRIERE DE CONSERVER SOIGNEUSEMENT LES PRESCRIPTIONS DE SECURITE”

“Cette machine à coudre est destinée à un usage domestique uniquement.”

Consignes de sécurité

Merci d'avoir fait l'achat d'une machine à coudre JUKI.



Avant l'utilisation, veuillez lire les consignes de sécurité sous la section « Pour utiliser la machine à coudre en toute sécurité » du Manuel d'instructions, afin de comprendre parfaitement les fonctions et procédures d'utilisation de la machine à coudre, ainsi que pour prolonger sa durée de service.

Après avoir lu le Manuel d'instructions, veuillez à le conserver, avec la garantie, de façon à pouvoir le consulter en tout temps.











Pour utiliser la machine à coudre en toute sécurité

Les symboles et icônes compris dans le Manuel d'instructions ou apposés sur la machine à coudre ont pour but d'assurer l'utilisation sécuritaire de la machine à coudre et de protéger l'utilisateur et autres personnes contre les risques éventuels de blessure.

Les symboles de mise en garde sont utilisés aux diverses fins décrites ci-dessous.

 AVERTISSEMENT	Indique un risque éventuel de décès ou de blessure grave en cas d'ignorance de ce symbole et d'une mauvaise utilisation de la machine à coudre.
 ATTENTION	Indique une utilisation qui comporte un risque éventuel de blessure et/ou de dommages matériels en cas d'ignorance de ce symbole et d'une mauvaise utilisation de la machine à coudre.

La signification des icônes est telle que décrite ci-dessous.

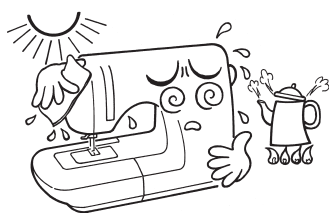
	Mise en garde contre un danger non spécifié		Risque de choc électrique		Risque d'incendie		Risque de blessure aux mains, etc.
	Interdiction non spécifiée		Démontage/modification interdit		Ne pas mettre les doigts sous l'aiguille		Ne pas huiler, etc
	Comportement généralement requis		Débrancher la fiche d'alimentation				

⚠ AVERTISSEMENT

Pour combiner l'aiguille en fonction de la matière et du fil, reporter vous à la section «remplacement de l'aiguille». Si l'aiguille ou le fil n'est bien adapté au tissu, comme dans le cas d'un tissu très lourd (p. ex. du jean) cousu avec une aiguille mince (n° 11 ou supérieure), l'aiguille risquera de se casser et de causer une blessure.

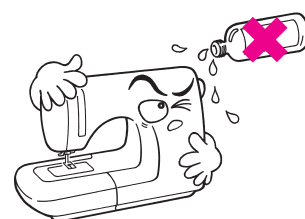
Autres précautions à prendre

- Ne pas exposer la machine directement au soleil ou dans une atmosphère humide.



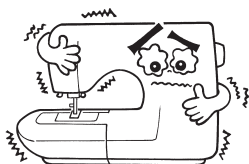
- Ne pas utiliser de détergents ou alcool pour nettoyer la machine.

Si la machine à coudre est sale, mettre un peu de détergent neutre sur un linge doux, et le passer soigneusement sur la machine à coudre pour enlever les taches.



Il faut savoir que l'état suivant peut avoir lieu du fait que la machine intègre des semi-conducteurs et des circuits électroniques.

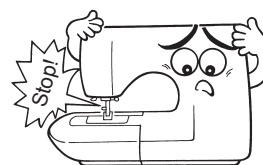
- Penser à utiliser la machine à coudre dans une plage de température de 5 °C à 35 °C. À température excessivement basse, la machine risque de ne pas fonctionner normalement.



- Dispositif de sécurité
Si la machine à coudre exécute la couture en continu dans les conditions suivantes, le dispositif de sécurité se déclenche automatiquement pour arrêter la machine à coudre afin d'éviter qu'elle ne chauffe anormalement.

- Si la machine à coudre exécute la couture en continu à basse vitesse pendant une période prolongée ou dans un environnement chaud :
→ Le dispositif de sécurité revient automatiquement à son état normal 30 minutes après avoir arrêté la machine à coudre. Ensuite, vous pouvez réutiliser normalement la machine à coudre.

- Si la machine à coudre exécute la couture en continu alors que le moteur est en surcharge anormale comme dans le cas d'un enchevêtrement du fil :
→ Retirer le fil et les copeaux de tissu enchevêtrés dans la boîte à canette, le crochet, etc.



* La température de fonctionnement de la machine à coudre est de 5 °C à 35 °C. Ne pas utiliser la machine à coudre sous la lumière solaire directe, près de sources de flammes telles qu'un poêle ou une chandelle, ni dans un emplacement humide. Cela risquerait de faire monter la température à l'intérieur de la machine à coudre ou de faire fondre la gaine du cordon d'alimentation, causant un incendie ou un choc électrique.

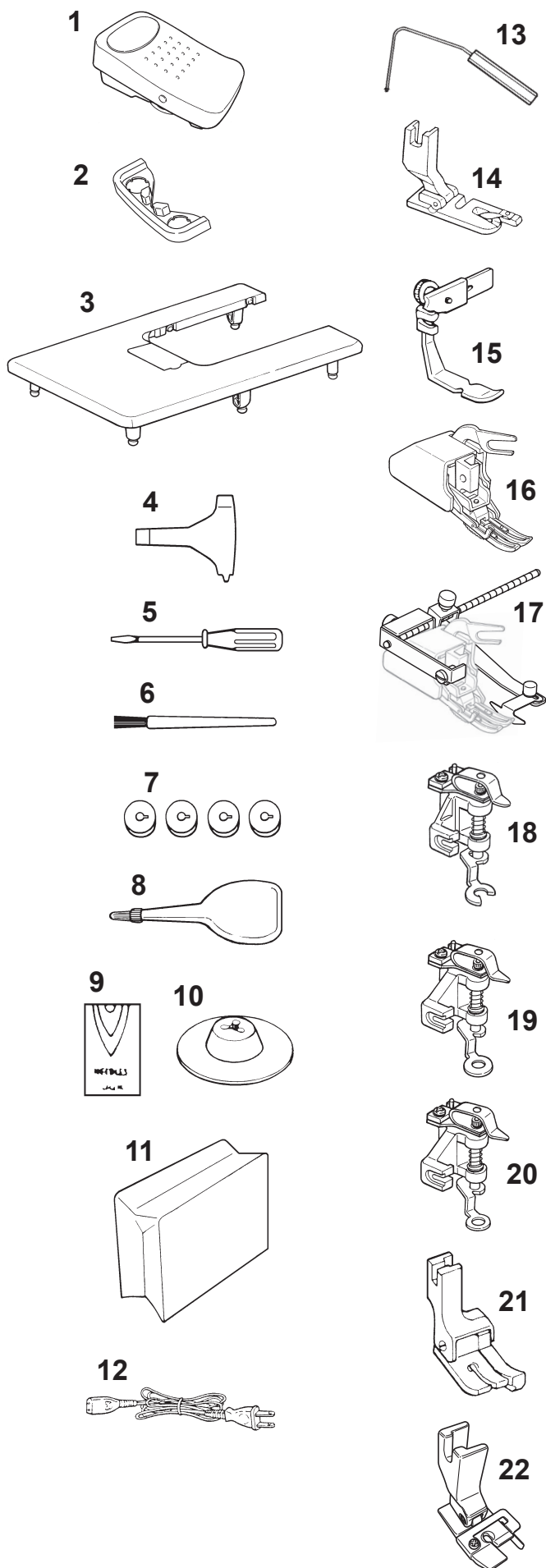
TABLE DES MATIERES

Règles de sécurité.....	1-3	Règlage de la tension du fil	20
Table des matieres	4	Tableau des relations entre le tissu, le fil et l'aiguille	21
Caractéristiques	4	Surpiqûre.....	21
Accessoires	5	Pose de l'aiguille	22
Pièces principales	6	Roulotté	23
Nomenclature et fonction des pièces	7-11	Pose d'une fermeture à glissière	24
Bobinage de la canette.....	12-14	Inversion du sens de la couture	
Pose du guide-fil		Pied presseur d'entraînement supérieur.....	25
Bobinage de la canette		Guide ouateur pour pied d'entraînement uniforme	26,27
Réglage du guide de bobineur		Pied presseur compensateur	28
Enfilage de la machine (fil d'aiguille).....	15-17	Pied presseur 1/4"	28
Enfileur d'aiguille automatique		Pied ouateur	29
Comment faire sortir le fil de canette		Nettoyage et lubrification de la machine	30
Essai de couture	18,19	Présentation des pièces en option	31
Pour désactiver l'interrupteur au pied de coupe du fil		Problèmes et remèdes	32
Exécution de points arrière			
Comment faire un noeud à l'envers du tissu			

Caractéristiques

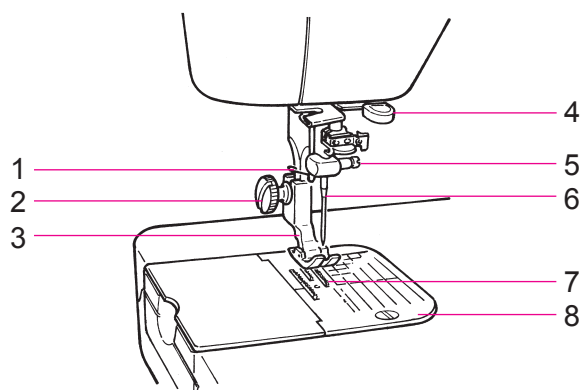
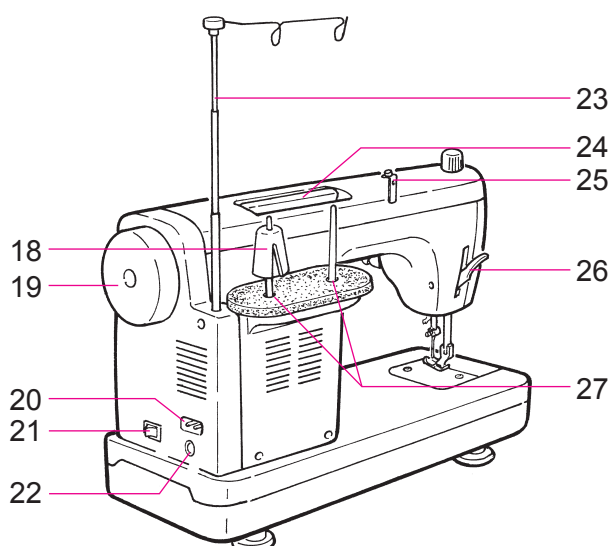
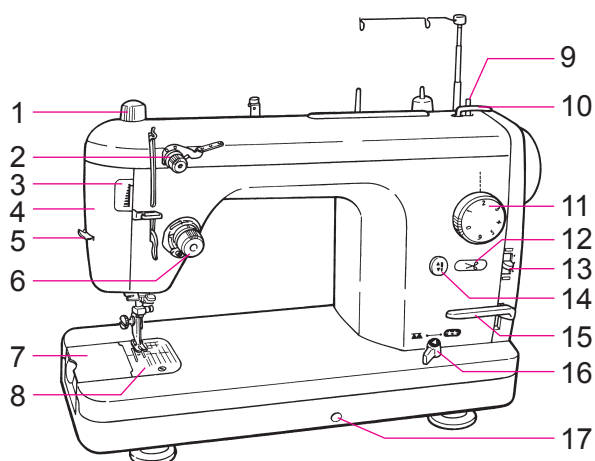
Description	Caractéristique
Vitesse de couture	1.500 sti/min maxi
Longueur des points	6 mm maxi
Course de la barre à aiguille	32 mm
Hauteur de relevage du pied presseur	7 mm / 9 mm (12 mm Par genouillère)
Aiguille	HAX1 #11, #14
Huile lubrifiante	Nouvelle huile Defrix N° 1 ou équivalent
Dimensions de la machine	45,2l x 35,0H x 21,9L (cm)
Dimensions du bras	43l x 17,8L (table auxiliaire: 59l x 27,7L) (cm)
Poids de la machine	11,9 kg
N° de modèle du rhéostat	JC-001

Accessoires



1. Pédale de commande
2. Butée de l'interrupteur au pied
3. Table auxiliaire
4. Tournevis spécial
5. Tournevis (petit)
6. Princeau de nettoyage
7. Canettes (4 pc)
8. Huileur
9. Aiguilles (HAX1)
10. Chapeau de bobine
11. Housse de machine
12. Cordon d'alimentation
13. Levier de genouillère
14. Support d'ourlage
15. Pied de pose de fermetures à glissières
16. Pied presseur d'entraînement supérieur
17. Guide ouateur pour pied d'entraînement uni-
forme
18. Bout ouvert avant de pied pour matelassage
19. 1/4" Pied ouateur
20. 1/5" Pied ouateur
21. Pied presseur compensateur
22. Pied presseur 1/4"
ou Pied presseur 7mm

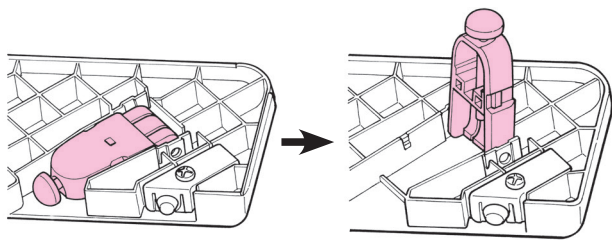
Pièces principales



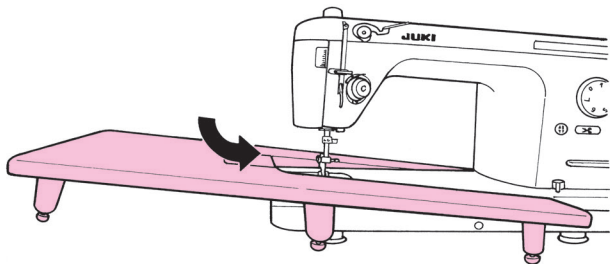
1. Régulateur de pression du pied presseur
2. Bouton de sous-tension
3. Indicateur du régulateur de pression du pied presseur
4. Couvercle frontal
5. Coupe-fil manuel
6. Bloc-tension du fil
7. Glissière
8. Plaque à aiguille
9. Axe de bobinage du fil de canette
10. Presseur de canette
11. Cadran de réglage de longueur des points
12. Bouton de coupe automatique du fil
13. Bouton de régulation de la vitesse
14. Bouton de relevage/abaissement de l'aiguille
15. Levier de commando d'entraînement réversible
16. Bouton d'entraînement simple par griffe
17. Orifice pour le montage du levier de genouillère
18. Cône anti-vibrations
19. Volant
20. Prise de raccordement de la pédale de commande
21. Interrupteur d'alimentation
22. Prise de raccordement du cordon d'alimentation
23. Tige de support
24. Poignée
25. Guide de bobineur
26. Levier de relevage du pied presseur
27. Broche porte-bobine

1. Crochet de fil de la barre à aiguille
2. Vis du pied presseur
3. Pied presseur
4. Levier d'enfilage de l'aiguille
5. Vis du pince-aiguille
6. Aiguille
7. Griffes d'entraînement
8. Ligne de guidage de la couture

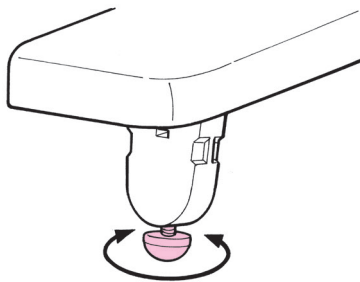
■ Installation de la table auxiliaire



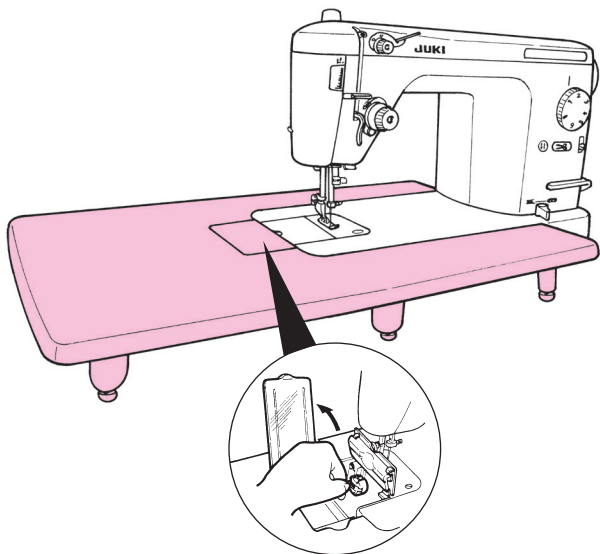
- 1** Déplier les pieds de la table auxiliaire jusqu'à ce qu'ils se bloquent de façon sûre en position d'arrêt.



- 2** Assembler la table auxiliaire au corps de la machine à coudre.

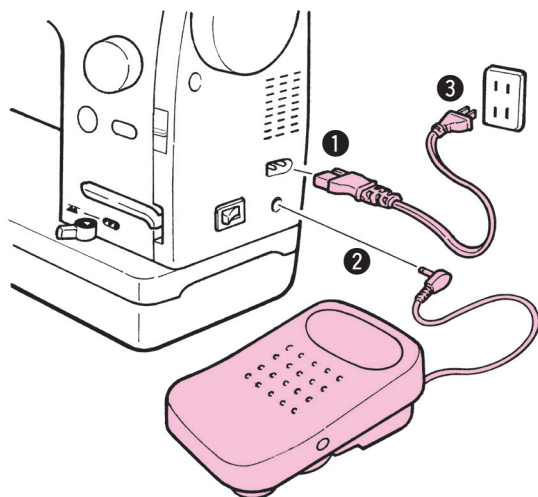


- 3** Ajuster la hauteur des pieds de sorte que la surface supérieure de la table auxiliaire soit à la même hauteur que le corps de la machine à coudre.



- 4** Ouvrir le couvercle de la table auxiliaire lors du remplacement du fil de canette.

Nomenclature et fonction des pièces



⚠ AVERTISSEMENT:

Veiller à mettre la machine hors tension avant de brancher/débrancher la pédale de commande.

■ Installation de la pédale de commande

- 1 Insérer la fiche du cordon d'alimentation dans la prise correspondante.
- 2 Insérer la fiche de la pédale de commande dans la prise correspondante.
- 3 Insérer la fiche du cordon d'alimentation dans la prise murale.

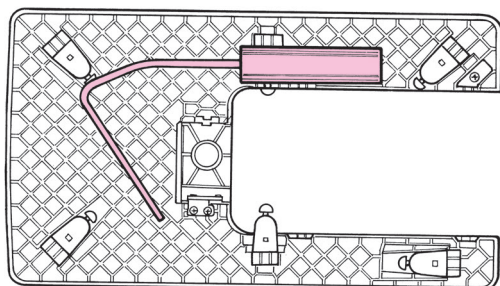
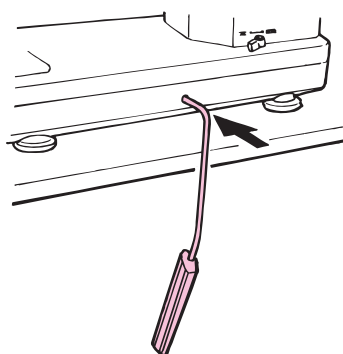
⚠ AVERTISSEMENT:

Effectuer ces opérations lorsque la machine est inutilisée.

1. Placer l'interrupteur d'alimentation sur arrêt.
2. Débrancher la fiche d'alimentation de la prise murale.
3. Ne rien placer sur le contrôleur.

⚠ AVERTISSEMENT (Pour Les Etats-Unis Et Le Canada Seulement)

Cet appareil à une prise polarisée (une des fiches est plus large que l'autre). Afin de réduire tout risque d'électrocution cette prise ne peut se brancher que d'une seule manière. Si la prise ne se branche pas correctement ou si elle ne s'enfonce pas complètement, retournez là. Si le branchement ne va toujours pas, contactez un électricien spécialisé qui installera la prise qui convient. Ne surtout pas modifier la prise d'origine.

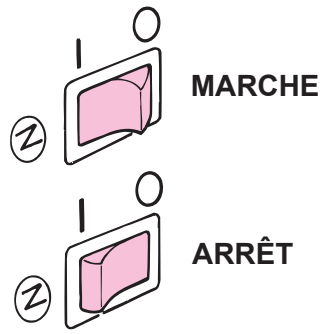


■ Pose du levier de genouillère

Le levier de genouillère permet à l'opérateur de relever/abaisser le pied presseur sans lâcher le tissu pendant la couture. (Hauteur de relevage du pied presseur: 12mm maxi)

On peut ranger le levier de genouillère au dos de la table auxiliaire.

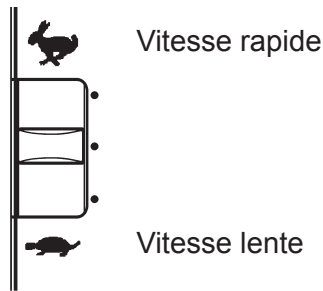
Nomenclature et fonction des pièces



■ Interrupteur d'alimentation

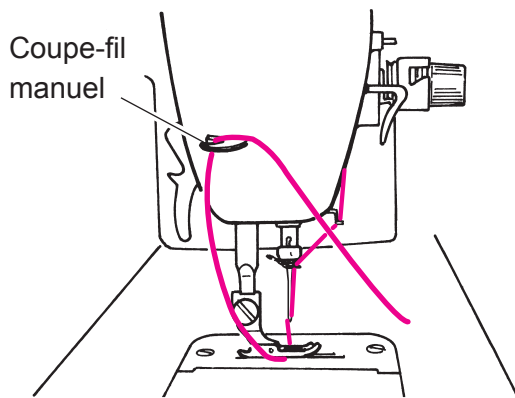
Pour le mettre sur marche, appuyer dessus du côté opérateur.

Pour le mettre sur arrêt, appuyer dessus de l'autre côté.



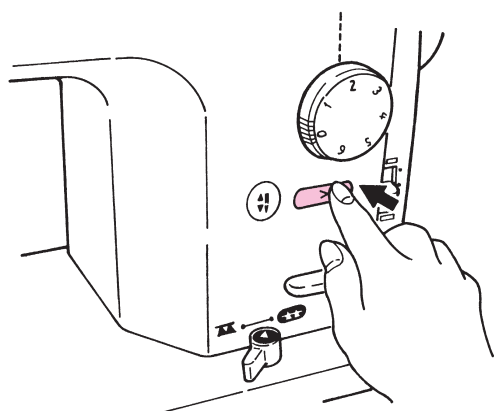
■ Bouton de régulation de la vitesse

La vitesse maximum peut être librement sélectionnée grâce au variateur de vitesse.



■ Coupe-fil manuel

Après la couture, relever l'aiguille et le pied presseur, retirer le tissu et couper le fil avec le coupe-fil manuel.

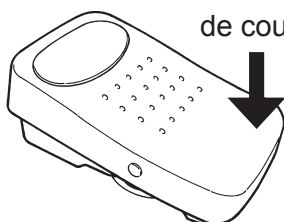


■ Bouton de coupe automatique du fil/ Interrupteur au pied de coupe du fil

Après la couture, il est possible de couper les fils d'aiguille et de canette en même temps. On peut ensuite reprendre la couture même si le fil de canette n'apparaît pas sur la plaque à aiguille.

Pour couper les fils, utiliser le bouton ou l'interrupteur au pied.

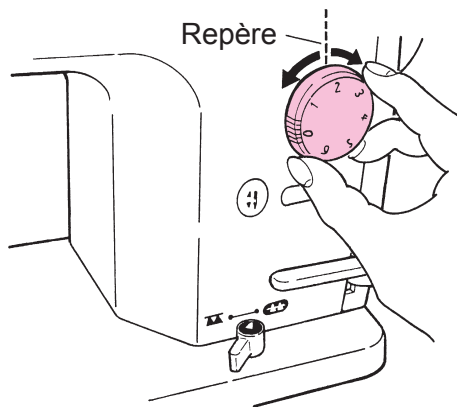
Interrupteur au pied de coupe du fil



“Interrupteur au pied de coupe du fil”

Lorsque le côté talon de la pédale de commande est enfoncé, les fils sont coupés.

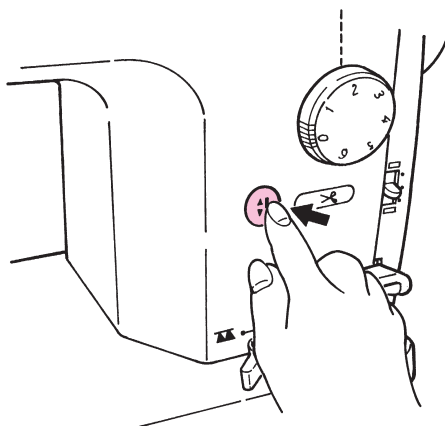
Nomenclature et fonction des pièces



■ Cadran de réglage de la longueur des points

Pour la couture normale, la longueur des points est de 2 à 2,5 mm.

(Plage de réglage: 0 à 6 mm)

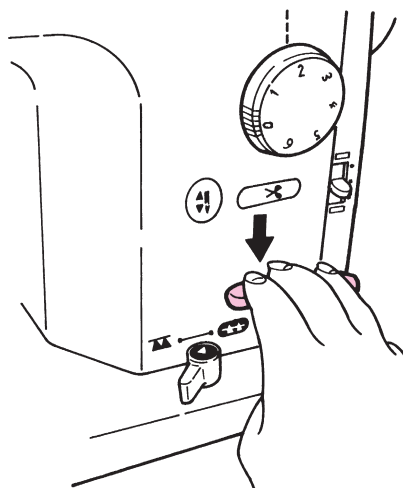


■ Bouton de relevage/abaissement de l'aiguille

- A chaque pression sur cette touche, l'aiguille remonte ou s'abaisse.

Cette touche s'utilise lors de l'utilisation de l'enfileur d'aiguille ou pour abaisser l'aiguille sur le tissu.

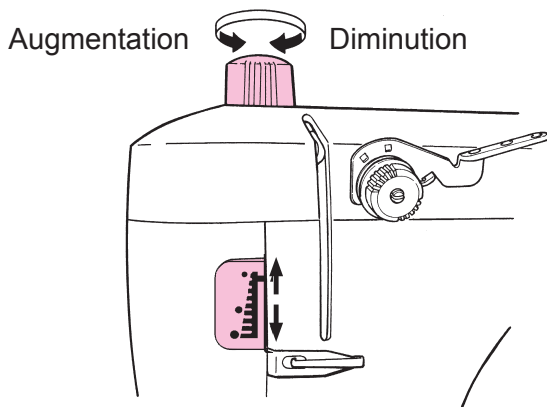
- Lorsqu'on appuie continuellement sur cette touche, l'aiguille se déplace lentement. L'utiliser lorsqu'on atteint l'extrémité du tissu.



■ Levier de commande d'entraînement réversible

Pour que la couture ne s'effiloche pas, utiliser ce levier pour effectuer des points arrière au début et à la fin de la couture.

Nomenclature et fonction des pièces

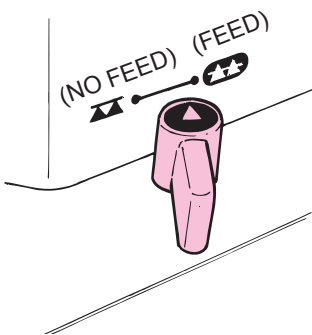


■ Régulateur de pression du pied presseur et son indicateur

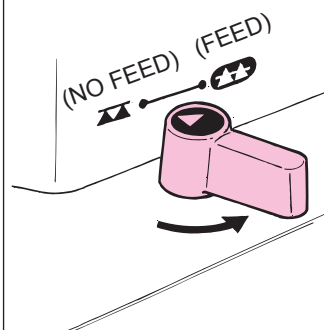
Lorsqu'on tourne le régulateur de pression du pied presseur, la pression du pied presseur change. Lorsqu'on tourne le régulateur, l'aiguille de l'indicateur remonte ou s'abaisse.

FR

Pour le piquage normal



Pour le piquage



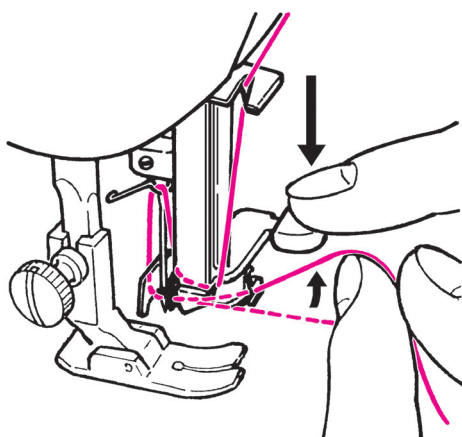
* La griffe d'entraînement s'abaisse.

■ Bouton d'entraînement simple par griffe

Placer ce bouton sur "FEED" (entraînement) pour la couture normale. Placer ce bouton sur "NO FEED" (pas entraînement) pour la broderie.

■ Levier d'enfilage de l'aiguille (enfileur d'aiguille automatique)

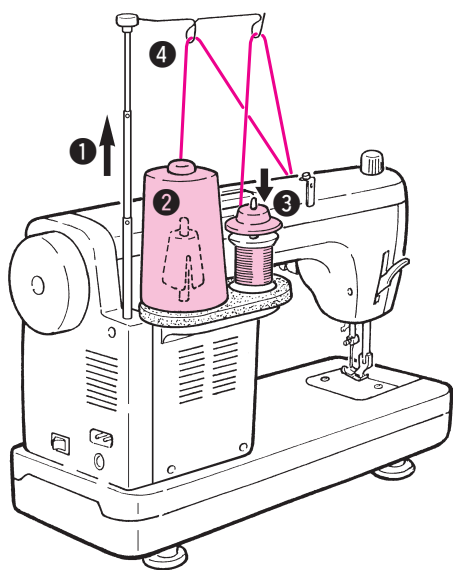
Abaisser le levier d'enfilage, faire passer le fil d'aiguille à travers le levier et enfiler le fil dans le chas d'aiguille. (Ce levier peut être utilisé pour des aiguilles N° 11 à 16.)



Bobinage de la canette

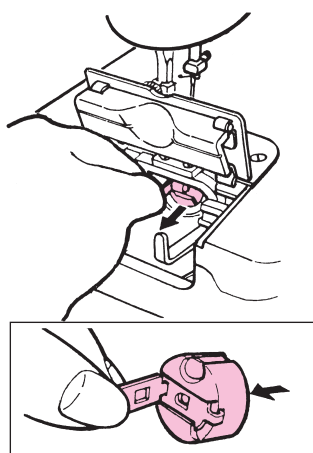
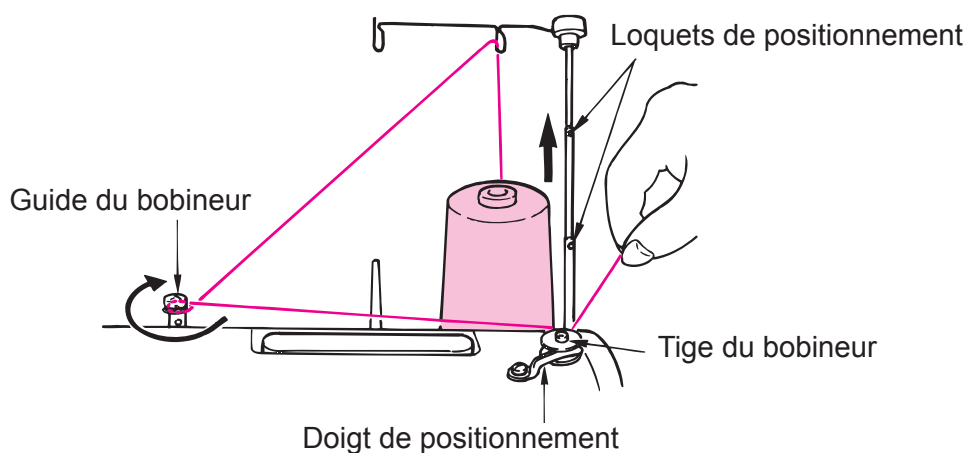


AVERTISSEMENT: Avant d'ouvrir la glissière, placer l'interrupteur d'alimentation sur arrêt.



Pose du guide-fil

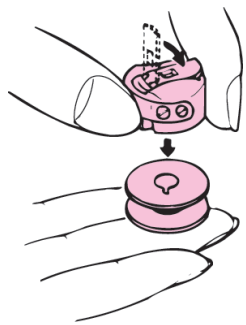
- 1 Soulever complètement la tige de support en la tournant légèrement jusqu'à ce que le loquet de positionnement s'engage.
- 2 Placer la grande bobine sur le cône anti-vibrations ou presseur de canette
- 3 Placer la bobine à usage domestique sur la tige du porte-bobine et mettre un chapeau de bobine en place.
- 4 Faire passer le fil de la bobine sur la tige du guide-fil juste au-dessus de la bobine.



1 Retirer la boîte à canette.

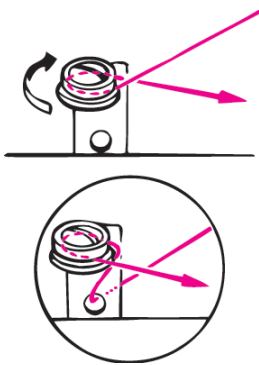
Relever l'aiguille. Ouvrir la glissière et sortir la boîte à canette.

Bobinage de la canette



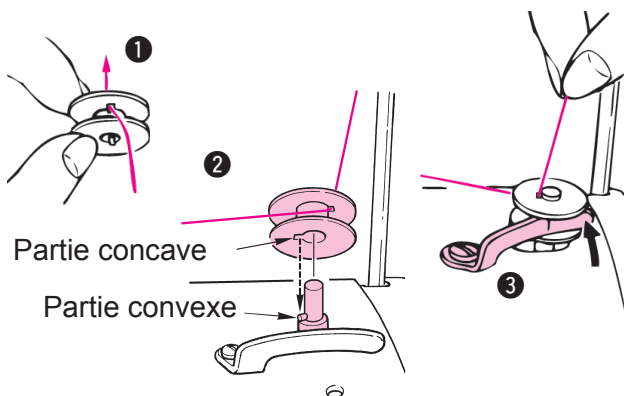
2 Retirer la canette de la boîte à canette.

Ouvrir le verrou de la boîte à canette pour sortir la canette.



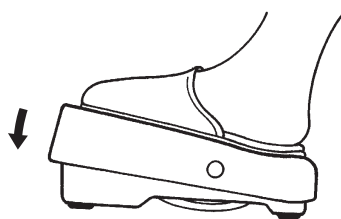
3 Enfiler le guide du bobineur.

Si le fil glisse hors du guide de bobineur, le faire passer par l'orifice situé sous le guide de bobineur.

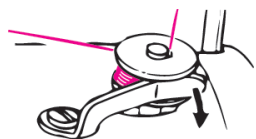


4 Installation de la canette.

- 1 Faire passer le fil à travers l'orifice de la canette.
- 2 Pour mettre la canette en place, régler la partie convexe de l'axe de bobinage du fil de canette sur la partie concave de la canette.
- 3 Appuyer sur le presseur de canette.

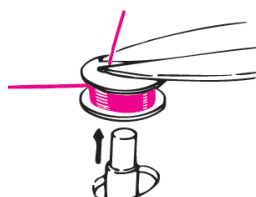


5 Commencer à bobiner la canette.

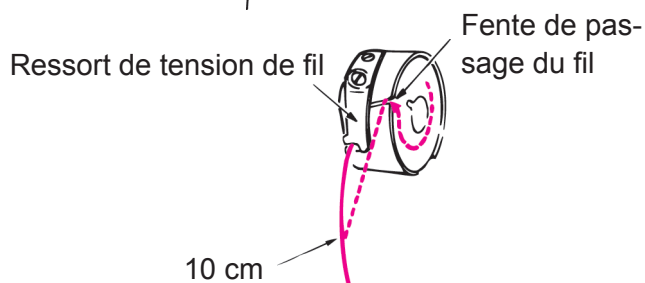
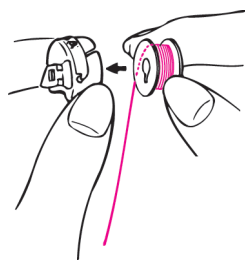


6 Après le bobinage.

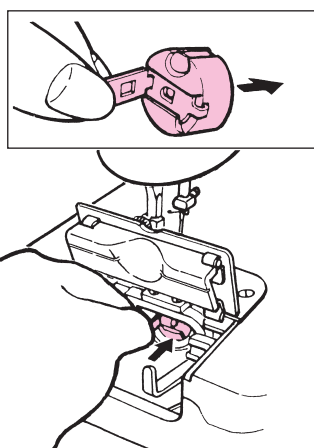
Ramener le doigt de positionnement du côté opérateur. Couper le fil en excès et retirer la canette.



Bobinage de la canette



* La canette doit tourner dans le sens des aiguilles d'une montre.



7 Mise en place de la canette dans la boîte à canette.

Ouvrir le verrou de la boîte à canette et mettre la canette en place dans la boîte à canette de façon qu'elle tourne dans le sens des aiguilles d'une montre.

Faire passer le fil dans la fente de la boîte à canette, puis sous le ressort de tension et le tirer d'environ 10 cm par l'ouverture de fil.

8 Placer la canette dans la machine. Refermer la glissière.

Insérer la boîte à canette à fond dans le crochet et refermer le verrou de la boîte à canette.

■ Réglage du guide de bobineur

Correct



Si la canette est irrégulièrement bobinée, la tension du fil sera mauvaise.

Bobinage plus épais vers le bas



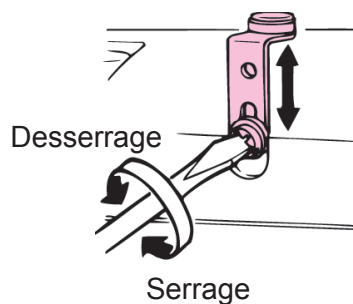
Bobinage plus épais vers le haut



↑
Relever

↓
Abaisser

Desserrer la vis du guide de bobineur pour le réglage.



Enfilage de la machine



AVERTISSEMENT: Avant d'enfiler le fil ou de le faire passer, placer l'interrupteur d'alimentation sur arrêt.

FR

Bouton de sous-tension

- Faire passer le fil par l'espace entre les deux disques de tension.
- La tension standard du fil est obtenue lorsque la face frontale de la vis au centre du bouton s'encastre dans la face frontale du bouton.

* Pour faire passer le fil par le molette de tension du fil ③, soulever d'abord le levier de relevage du pied presseur et laisser un espace entre les disques de tension.

* Ramener le relevage de fil ⑦ à l'extrémité supérieure de sa course. Ensuite, faire passer le fil à travers.

1 Faire passer le fil à travers le guide-fil ①.

Lorsqu'on utilise un fil ayant tendance à glisser hors du trajet du fil, enfiler la tête de la machine de la manière illustrée dans le médaillon.

Disque de tension du fil

Faire passer le fil entre les deux disques de tension.

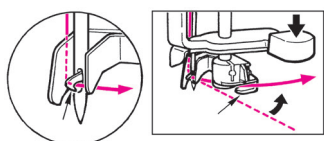
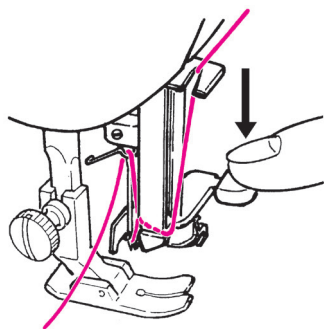
2 Enfiler la machine dans l'ordre numérique ② à ⑧.

3 Faire passer le fil par les guide-fil ⑨ et ⑩.

■ Enfileur d'aiguille automatique

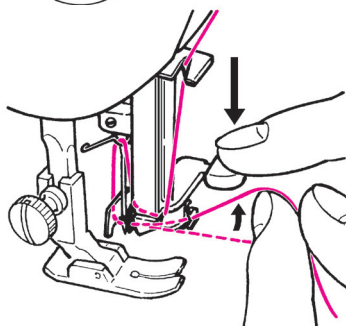
1 Abaisser le pied presseur ainsi que le levier d'enfilage de l'aiguille.

Remonter l'aiguille au maximum et abaisser le levier d'enfilage.



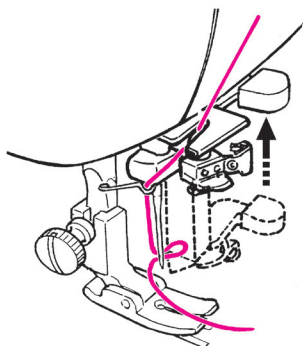
2 Faire passer le fil d'aiguille à travers le crochet.

Faire passer le fil d'aiguille du côté opposé à l'opérateur au côté opérateur et déplacer le fil du côté droit jusqu'à ce qu'il vienne en contact avec le guide.



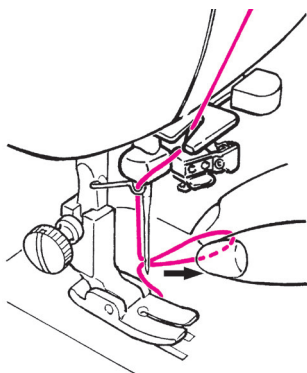
3 Retirer le doigt du levier d'enfilage de l'aiguille.

Lorsqu'on retire le doigt, le fil est accroché par le crochet et enfilé dans le chas d'aiguille.

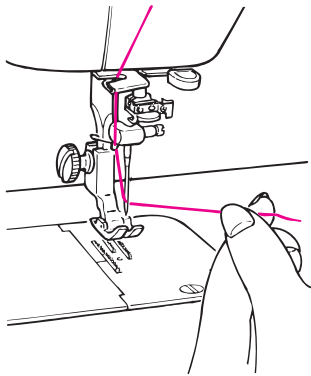


4 Sortir le fil d'aiguille.

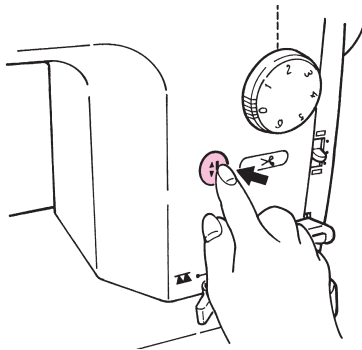
Tirer le fil d'aiguille enfilé pour le faire dépasser d'environ 10 cm du chas d'aiguille.



■ Comment faire sortir le fil de canette

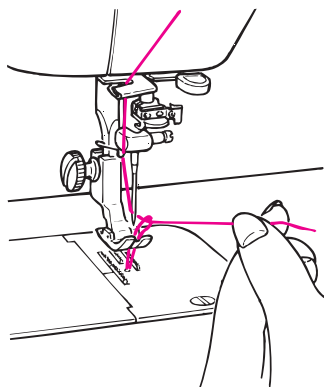


- 1** Tenir l'extrémité du fil d'aiguille avec la main gauche.

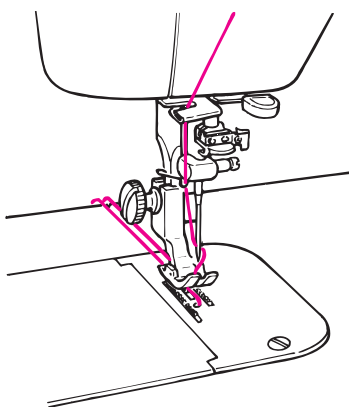


- 2** Appuyer sur le bouton de relevage/abaissement de l'aiguille.

(normalement, appuyer deux fois).



- 3** Le fil de canette sort.



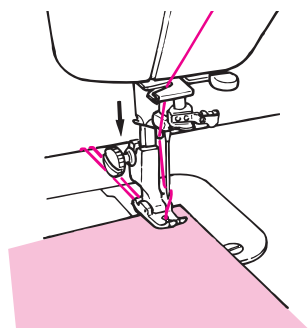
- 4** Faire dépasser le fil d'aiguille et le fil de canette d'environ 10 cm.

Faire passer les deux fils sous le pied presseur et les tirer uniformément derrière le pied presseur.

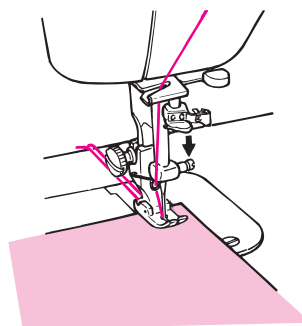
Essai de couture

⚠ AVERTISSEMENT: Ne rien placer sur la pédale de commande lorsque celle-ci est raccordée à la machine.

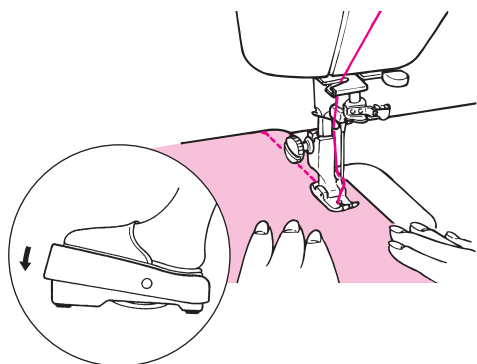
Ne pas commencer à coudre lorsque le releveur de fil remonte car le fil d'aiguille pourrait glisser hors du chas d'aiguille.



1 Placer le tissu sous le pied presseur et abaisser le pied presseur.

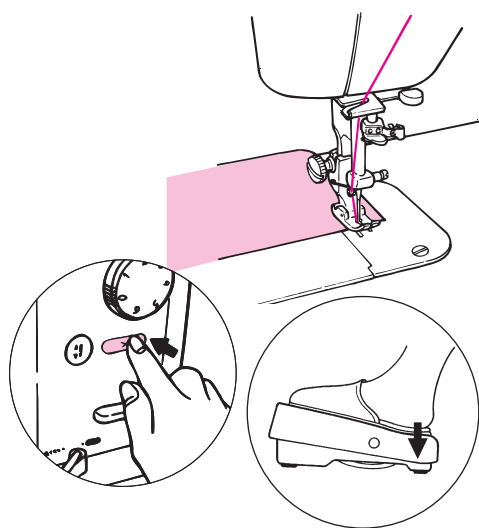


2 Abaisser l'aiguille.
Tourner le volant vers soi ou appuyer sur le bouton de relevage/abaissement de l'aiguille pour abaisser l'aiguille sur le tissu.



3 Mettre la machine en marche.

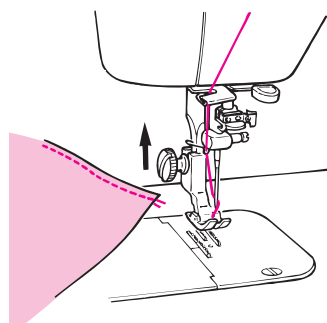
Ne pas tirer le tissu avec la main pendant la couture.



4 A la fin de la couture, arrêter la machine et actionner le coupe-fil.

Appuyer sur le bouton de coupe automatique du fil ou sur l'interrupteur au pied de coupe du fil. Lorsque le coupe-fil automatique est actionné, l'aiguille s'arrête sur sa position la plus haute. (Pour les fils de grosseur égale ou supérieure au n° 20 ou les fils spéciaux, utiliser des ciseaux.)

* Après la coupe du fil, on peut reprendre la couture même si le fil de canette n'est pas apparent sur la plaque à aiguille.

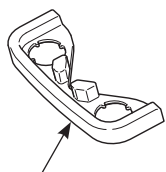


5 Relever le pied presseur et retirer le tissu fini.

Essai de couture

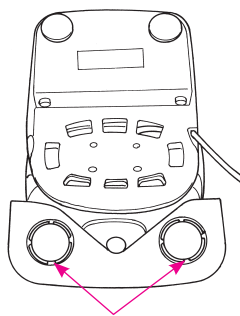
■ Pour désactiver l'interrupteur au pied de coupe du fil

Placer la butée de l'interrupteur au pied en position.

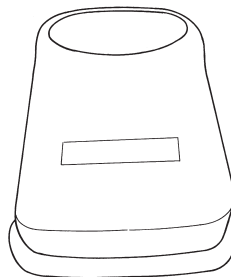


Butée de l'interrupteur au pied

Arrière



Haut

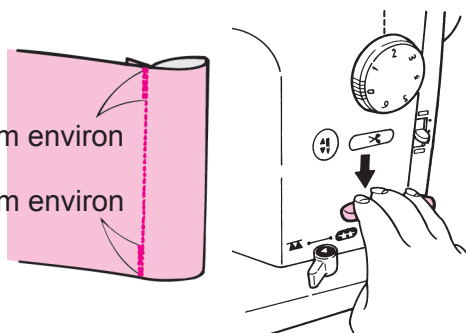


Fixer solidement la butée de l'interrupteur au pied en appuyant sur les quatre griffes.

FR

1 cm environ

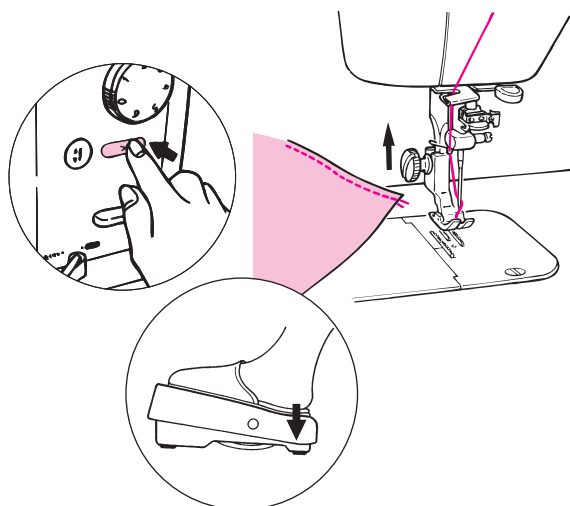
1 cm environ



■ Exécution de points arrière (points d'arrêt)

Abaisser le levier de commande d'entraînement réversible pour exécuter des points arrière sur une longueur d'environ 1 cm par-dessus les points avant.

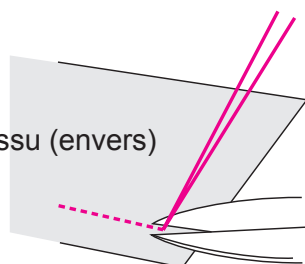
■ Comment faire un noeud à l'envers du tissu



1 A la fin de la couture, remonter l'aiguille et le pied presseur. Tirer ensuite le fil d'aiguille et le fil de canette en arrière d'environ 10 cm avec le tissu. Ou sur l'interrupteur au pied de coupe du fil (le fil d'aiguille et le fil de canette sont coupés en même temps).

2 Tirer le fil d'aiguille à l'envers du tissu. Nouer ensemble le fil d'aiguille et le fil de canette. Couper ensuite les deux fils près du noeud.

Tissu (envers)



Règlage de la tension du fil



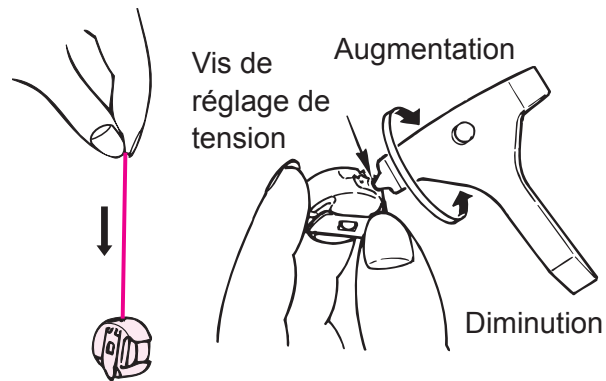
AVERTISSEMENT: Avant de retirer la boîte à canette, placer l'interrupteur d'alimentation sur arrêt.

La tension du fil de canette est normale si la boîte à canette descend lentement quand on tient l'extrémité libre du fil de canette et qu'on secoue le fil comme sur la figure ci-contre (fil n° 50).

* Régler la tension du fil d'aiguille en fonction de la tension du fil de canette.

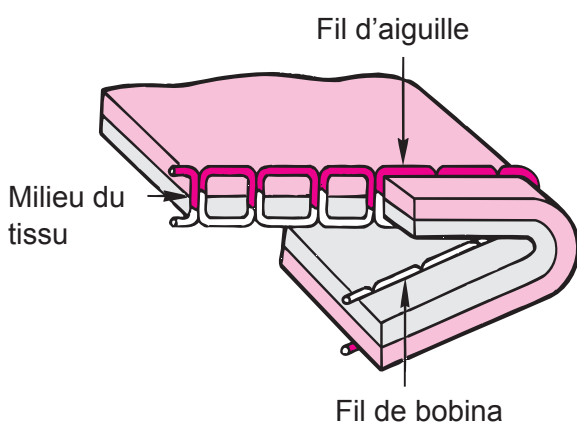
* La boîte à canette est une pièce spéciale JUKI. S'adresser à un revendeur JUKI pour la commander.

· Réglage de la boîte à canette

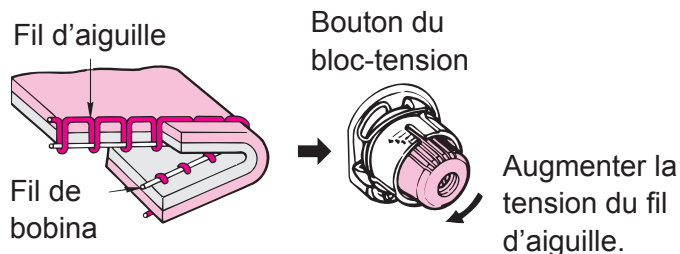


■ Tension du fil correcte

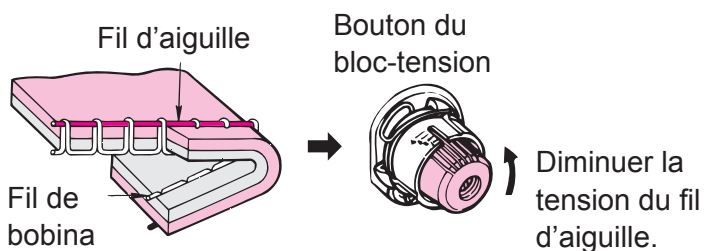
Si la tension du fil est mal réglée, il en résultera un froncement du tissu, des points mal formés ou une cassure du fil.



Si la tension du fil d'aiguille est insuffisante



Si la tension du fil d'aiguille est excessive



Règlage de la tension du fil

■ Tableau des relations entre le tissu, le fil et l'aiguille

	Tissu	Fil	Aiguille (HAX1)
Tissu légers	Nylon Fibre cuproammoniacale Georgette	Fil synthétique n° 80 à 90	n° 9-11
	Tricot lisse		
Tissu moyens	Popeline fine Guingan	Fil de coton n° 60 à 80 Fil synthétique n° 80 à 90	n° 11-14
	Jersey léger Tissu synthétique	Fil synthétique n° 50 à 60	
	Flanelle Laine	Fil synthétique n° 50 à 60 Fil de soie n° 50	
Tissu lourds	Denim	Fil synthétique n° 20 à 50 Fil de coton n° 20 à 50	n° 14-18
	Toile	Fil synthétique n° 30 à 50	
	Tweed	Fil synthétique n° 50 Fil de soie n° 50	
	Simili-cuir	Fil synthétique n° 20 à 30	

■ Surpiqûre

Sette machine permet d'exécuter de belles surpiqûres avec une longueur de point jusqu'à 6 mm.

Il est possible d'utiliser divers fils allant du fil pour point coulé standard au fil pour surpiqûres n° 8.

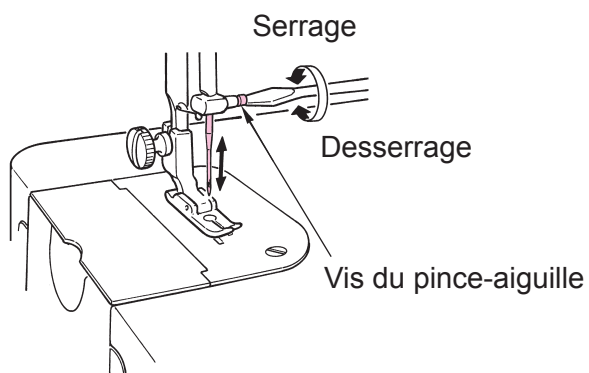
Changer l'aiguille en fonction du fil utilisé (voir le tableau ci-contre).

Numéro de fil	Taille d'aiguille
n° 80-50	n° 11
n° 60-50	n° 14(11)
n° 50-30	n° 16
n° 20-8	n° 18

Règlage de la tension du fil



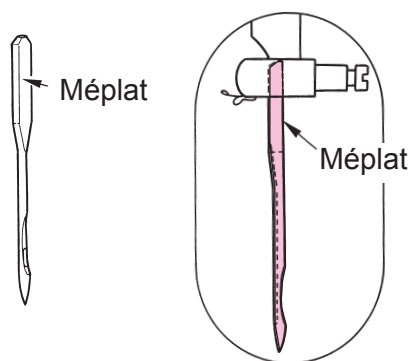
AVERTISSEMENT: Avant de remplacer l'aiguille, placer l'interrupteur d'alimentation sur arrêt.



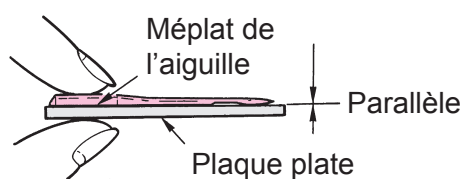
■ Pose de l'aiguille

1. Mettre la machine hors tension.
2. Abaisser le pied presseur.
3. Remonter la barre à aiguille au maximum.
4. Introduire l'aiguille neuve à fond dans la barre à aiguille avec son méplat tourné vers la droite. Serrer en suite la vis du pince-aiguille.

Figure vue depuis l'avant



* L'aiguille à utiliser est la HAx1.

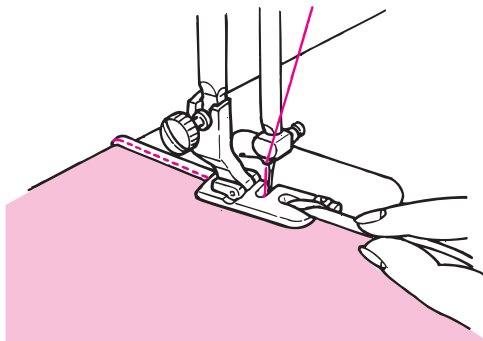
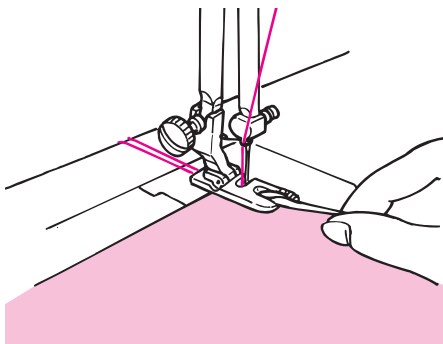
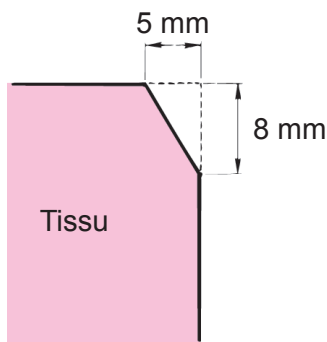
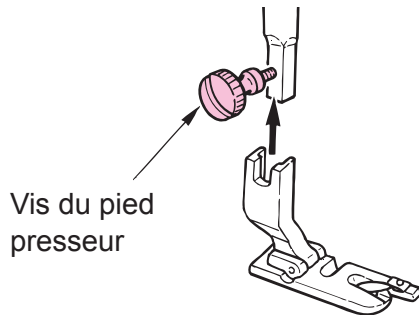


■ Vérification de l'aiguille

Vérifier de temps à autre si l'aiguille est bien droite. Une aiguille défectueuse peut se casser ou causer des sauts de points, une cassure du fil ou des dommages au tissu.



AVERTISSEMENT: Avant de remplacer le pied presseur, placer l'interrupteur d'alimentation sur arrêt.



1 Installer le support d'ourlage.

Mettre la machine hors tension. Desserrer la vis du pied presseur et monter le support d'ourlage.

2 Couper le coin du tissu.

Couper le coin du tissu afin que le support d'ourlage puisse ourler plus facilement le bord du tissu.

3 Placer le bord du tissu coupé dans le gorge vortex du support d'ourlage.

Mettre le tissu dans la gorge vortex du support d'ourlage de manière que l'aiguille abaissée atteigne le tissu, puis abaisser le support d'ourlage.

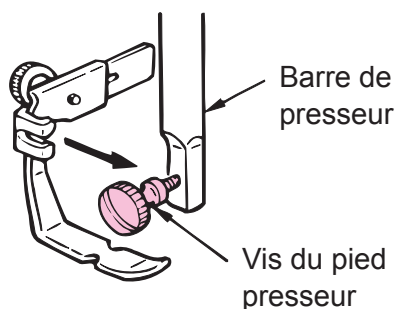
4 Ourler le bord du tissu en guidant le tissu dans la gorge vortex à la main.

Tirer les extrémités du fil d'aiguille et du fil de canette avec la main gauche et tourner le volant de 3 ou 4 tours pour s'assurer que le bord du tissu est bien roulé dans la gorge vortex. Ourler ensuite le bord du tissu tout en le pinçant entre le pouce et l'index de la main droite de manière que la longueur appropriée de tissu pénètre régulièrement dans le support d'ourlage.

Pose d'une fermeture à glissière



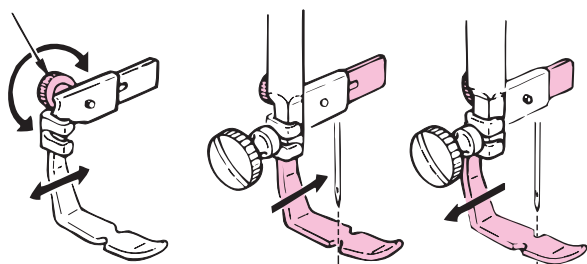
AVERTISSEMENT: Avant de remplacer le pied presseur, placer l'interrupteur d'alimentation sur arrêt.



1 Installer le pied de pose fermeture à glissières.

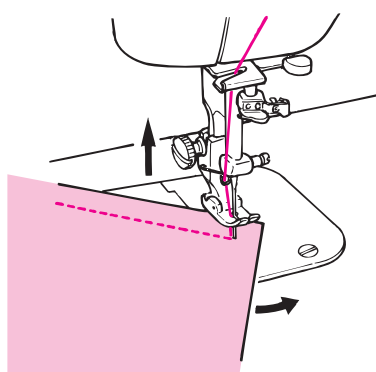
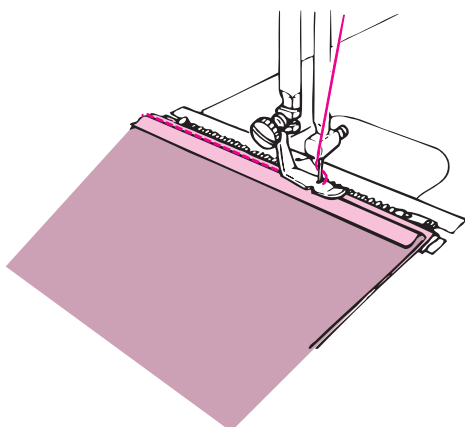
Mettre la machine hors tension. Desserrer la vis du pied presseur et poser le pied de pose de fermeture à glissières par l'arrière de la barre de presseur vu du côté opérateur.

Vis de sélection de position du presseur



2 Déplacer le presseur en tournant la vis de sélection de position du presseur jusqu'à ce que le point de pénétration de l'aiguille soit correct.

Pour coudre le côté gauche de la fermeture à glissière, déplacer le presseur vers la gauche. Pour coudre le côté droit de la fermeture à glissière, déplacer le presseur vers la droite.



■ Inversion du sens de la couture

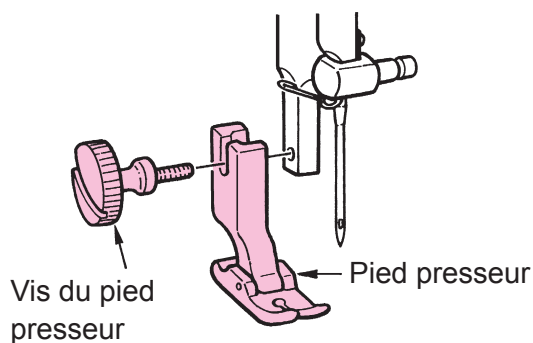
1. Maintenir l'aiguille abaissée.
2. Soulever le pied presseur et tourner le tissu dans le sens désiré.

Pied presseur d'entraînement supérieur

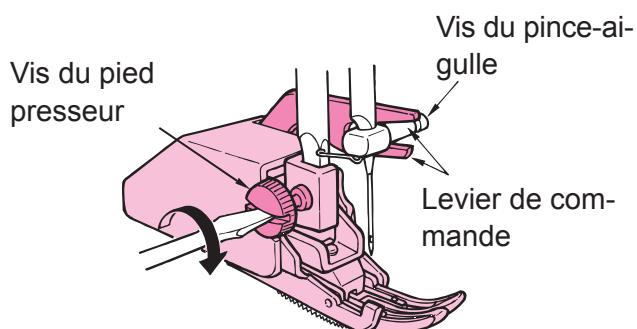


AVERTISSEMENT: Avant de remplacer le pied presseur, placer l'interrupteur d'alimentation sur arrêt.

Ce pied presseur est généralement utilisé pour des tissus difficiles à entraîner tels que velours, jersey, vinyle, similicuir, cuir, etc. Il assure un entraînement en douceur du tissu et empêche le glissement du tissu.



1 Mettre la machine hors tension et retirer le pied presseur.



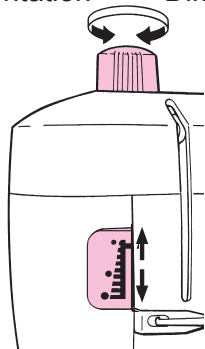
2 Poser le pied presseur d'entraînement supérieur.

Engager la partie fourchue du levier de commande sur le pince-aiguille.

Insérer la partie de montage dans la barre de presseur et serrer la vis du pied presseur à fond. Une fois que le presseur est installé, tourner le volant à la main dans le sens de la couture pour s'assurer que la position de la fourche est correcte, puis remettre la machine sous tension.

* Tourner le régulateur de pression du pied presseur pour régler la pression du pied presseur sur "faible". (Régler la pression sur "minimum" pour une couture sur du velours.) Utiliser la machine à vitesse moyenne.

Augmentation Diminution



Tourner sur ■ pour diminuer la pression du pied presseur.

Pied presseur d'entraînement supérieur -

Guide ouateur pour pied d'entraînement uniforme

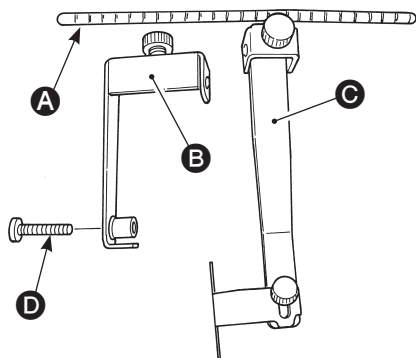


AVERTISSEMENT: Avant de remplacer le pied presseur, placer l'interrupteur d'alimentation sur arrêt.

■ Matelassage avec le guide ouateur pour pied d'entraînement uniforme

Les points peuvent être cousus à intervalles réguliers au moyen du pied trotteur.

* Utiliser la machine à vitesse moyenne.

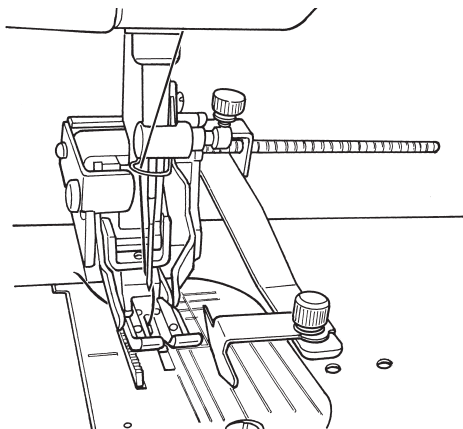
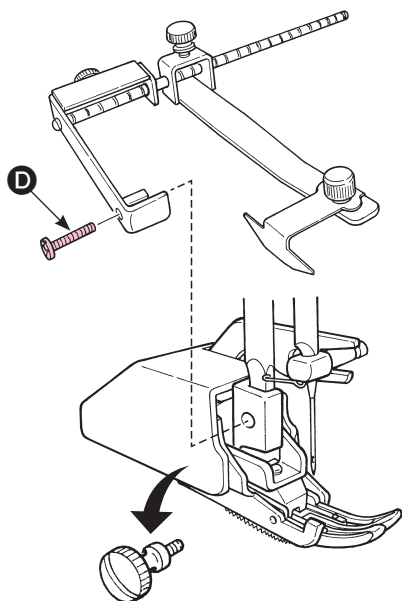


1 Vérifier les éléments.

- A** Barre du guide de points × 1
- B** Base du guide de points × 1
- C** Guide de points × 1
- D** Vis × 1

2 Assembler et installer la règle des points.

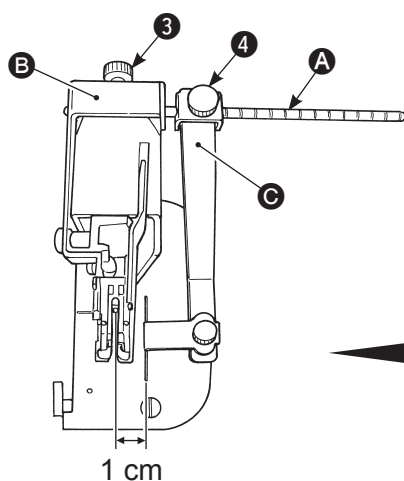
Déposer la vis de fixation du pied trotteur qui maintient le pied trotteur. Tout en alignant les sections de montage de la règle des points et du pied trotteur, serrer fermement **la vis D de fixation du pied trotteur**.



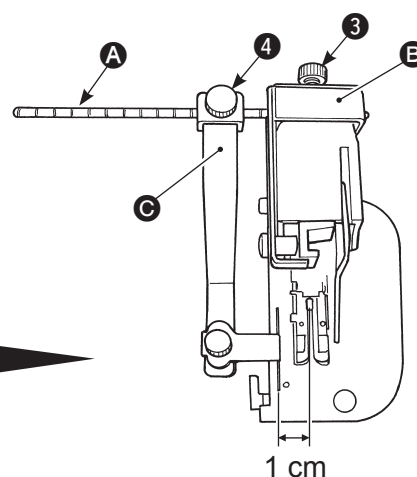
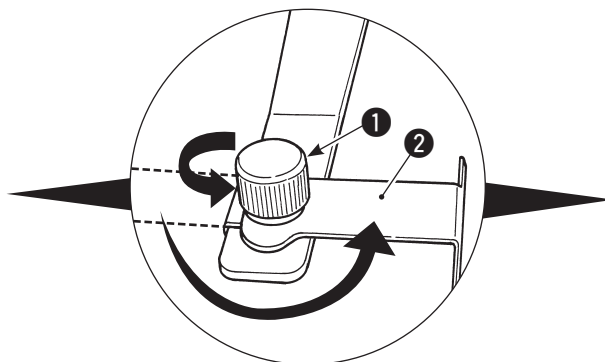
(Exemple : en cas de guidage du tissu de sorte qu'il reste éloigné d'1 cm de la position de l'aiguille)

Avec le guide sur le côté droit de l'aiguille

- ① Tout en alignant le repère de graduation le plus à gauche sur la barre de guide **A** avec le bord gauche de la base de guide **B**, serrer la vis de fixation **3**.
- ② Tout en alignant le guide **C** avec le premier repère de graduation depuis le bord droit de la base de guide **B**, serrer la vis de fixation **4**.
La distance de la position de l'aiguille jusqu'au guide est de 1 cm.



L'intervalle des repères de graduation sur la barre de guide est de 5 mm.



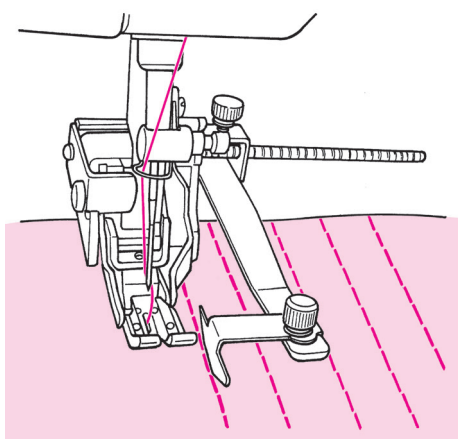
Déposer la vis de fixation **1**. La règle des points peut être utilisée à la fois sur les côtés droit et gauche en changeant la position de montage de la section **2** du guide de droite à gauche ou de gauche à droite.

3 Régler la position du guide.

Régler la position du guide en se reportant à la position de l'aiguille entre la graduation de la barre et le guide. Serrer solidement la vis de fixation.

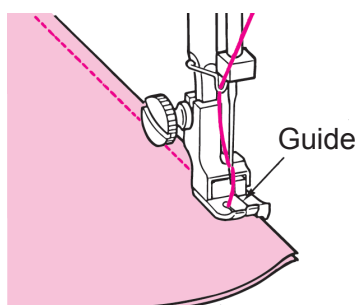
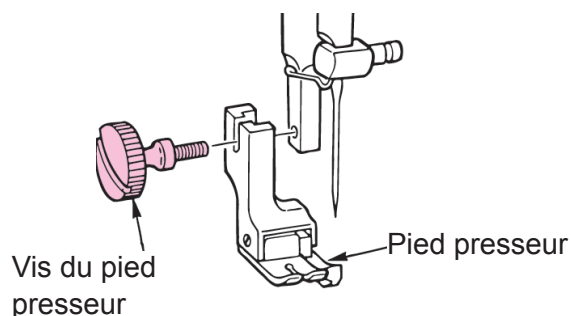
4 Procéder à la couture en utilisant le guide comme référence.

Les points peuvent être cousus tout en maintenant des intervalles de point réguliers.



Pied presseur compensateur

AVERTISSEMENT: Avant de remplacer le pied presseur, placer l'interrupteur d'alimentation sur arrêt.



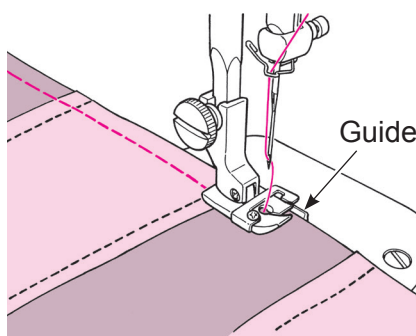
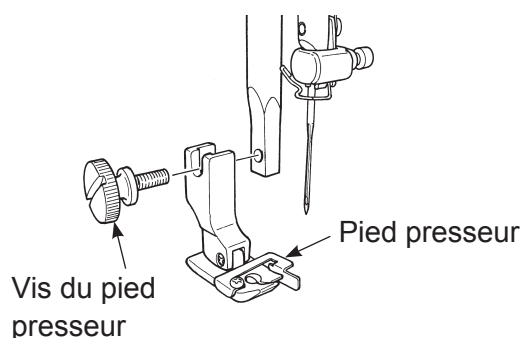
Ce pied est pratique pour coudre l'extrémité du tissu bien droite.

1 Poser le pied presseur compensateur.

2 Placer l'extrémité du tissu sur guide et coudre.

Pied presseur 1/4" (7mm)

AVERTISSEMENT: Avant de remplacer le pied presseur, placer l'interrupteur d'alimentation sur arrêt.



Le guide pour une réserve pour couture de 1/4" (7mm) pour rattachage est fourni.

1 Installer le pied presseur 1/4" (7mm).

Fixer sans serrer la vis de fixation du pied presseur. Puis, fixer le pied presseur 1/4" (7mm) et serrer solidement la vis de fixation.

2 Coudre le tissu tout en alignant son bord avec le guide.

Les points peuvent être cousus à la position éloignée de 1/4" (7mm) du guide.

Pied ouateur



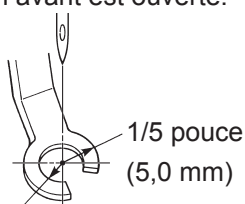
AVERTISSEMENT: Avant de remplacer le pied presseur, placer l'interrupteur d'alimentation sur arrêt.

Ce pied ouateur est pratique pour le matelassage libre, le matelassage avec motifs, la broderie libre, etc.

* Ne pas faire tourner au ralenti la machine à coudre lorsque le pied ouateur est maintenu à sa position supérieure.

● Type à ouverture avant

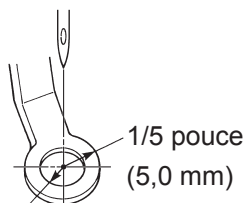
Ce type convient pour le matelassage libre. Le point d'insertion de l'aiguille est facilement visible étant donné que la section avant est ouverte.



1/8 pouce (3,2 mm)

● Type 1/5 pouce = 5,0 mm

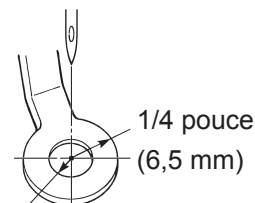
Ce type convient pour le matelassage libre en général.



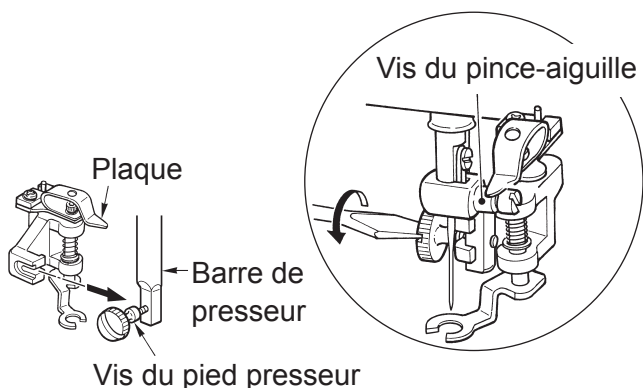
1/8 pouce (3,2 mm)

● Type 1/4 pouce = 6,5 mm

Ce type convient comme guide pour la couture de points à intervalles réguliers.

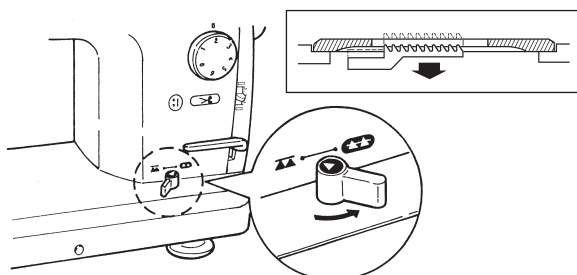


1/8 pouce (3,2 mm)

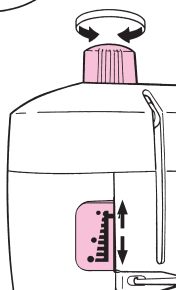


1 Mettre la machine hors tension. Installer le pied ouateur. Placer la plaque sur la vis du pince-aiguille, insérer la partie de montage dans la barre de presseur et serrer la vis du pied presseur à fond.

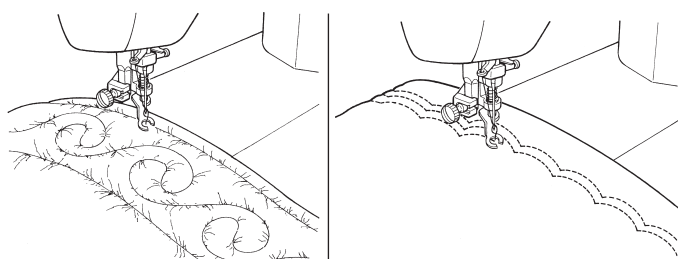
2 Placer la griffe d'entraînement sur sa position inférieure.



3 Placer le cadran de réglage de longueur des points sur "0". Tourner le régulateur de pression du pied presseur jusqu'à ce que la barre bleue se trouve en haut dans la fenêtre d'indication de pression.

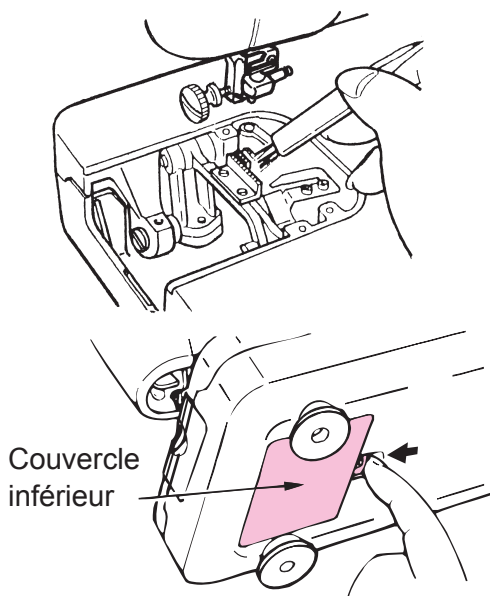


4 Abaisser le pied presseur et commencer la couture.



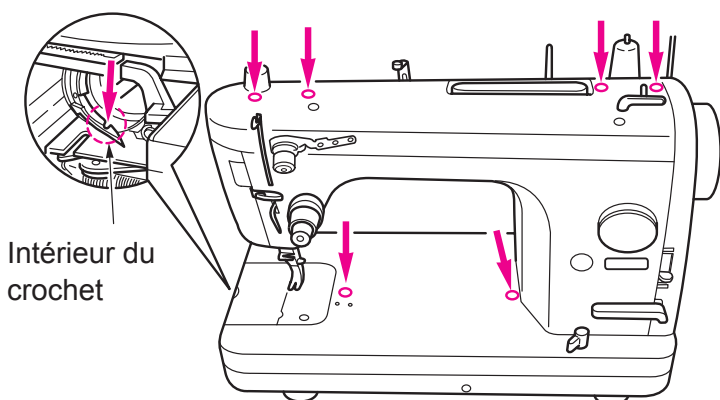


AVERTISSEMENT: Avant de nettoyer ou de lubrifier la machine à coudre, la mettre hors tension et la débrancher de la prise de courant.



■ Nettoyage de la griffe d'entraînement et du crochet

- Mettre la machine hors tension. Retirer l'aiguille, le pied presseur et la plaque à aiguille. Nettoyer ensuite la griffe d'entraînement et les organes du crochet à l'aide du pinceau de nettoyage.
- Le couvercle de la plaque inférieure peut être ouvert pour nettoyer les organes du crochet ou en cas de chute accidentelle de la canette.



■ Lubrification de la machine

- Mettre quelques gouttes d'huile sur chacun des points indiqués par des flèches sur la figure ci-contre.
- Utiliser l'huile machine fournie avec la machine à coudre ou la nouvelle huile Defrix N° 1 ou équivalent.
- Nettoyer la machine une fois par jour lors d'une utilisation quotidienne.
- Appliquer une plus grande quantité d'huile (environ 5 à 7 gouttes) sur les points pertinents de la machine à coudre après le déballage ou si elle est utilisée après une période prolongée d'inactivité (environ deux mois).

Lubrifier la machine après avoir retiré la boîte à canette.

Précautions à prendre lors de la manipulation d'huile

- * Dans le cas où l'huile pénètre dans l'oeil ou adhère sur la peau, laver immédiatement afin de prévenir les irritations et les rougeurs.
- * En cas d'ingestion accidentelle, consulter immédiatement un médecin pour obtenir des conseils médicaux afin de prévenir la diarrhée et des vomissements.
- * Tenir l'huile hors de la portée des enfants.
- * L'huile doit jetée et recyclée être conformité avec la législation en vigueur.

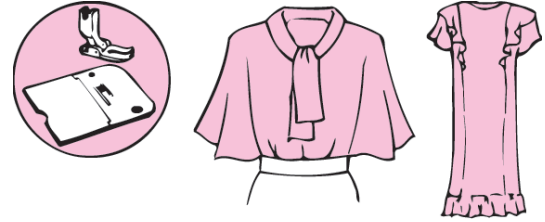
- Ne pas appliquer une quantité excessive d'huile sur la barre à aiguille et sur la section autour du crochet, car l'huile peut s'écouler sur le tissu au moment de la lubrification.
- Toujours procéder à un essai de couture après avoir lubrifié la machine.

Présentation des pièces en option



AVERTISSEMENT: Avant de remplacer le pied presseur, placer l'interrupteur d'alimentation sur arrêt.

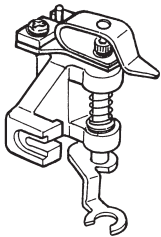
■ Pied presseur et plaque à aiguille pour tissus légers



Les utiliser pour coudre des tissus légers que nylon, georgette, tricot, etc.

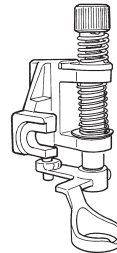
■ Paque à aiguille pour tissus lourds

■ Bout ouvert latéral de pied pour matelassage



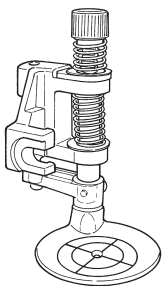
Ce pied pour matelassage est pratique pour le matelassage libre lorsque la machine à coudre est placée longitudinalement par rapport à l'opérateur.

■ Pied pour matelassage 1/4" (avec règle)



Ce pied pour matelassage est pratique pour le matelassage libre en guidant le tissu le long de la règle.

■ Pied pour matelassage en écho



Ce pied pour matelassage est pratique pour le matelassage en écho libre.

* Pour l'achat de pièces en option, s'adresser au revendeur JUKI.

Problèmes et remèdes

En cas de difficultés de couture, s'assurer que les instructions sont correctement suivies. Si un problème persiste, les rappels suivants aideront à le résoudre.

Problème	Causes	Remèdes	Page
Saut de point.	<ol style="list-style-type: none"> 1. L'aiguille est tordue ou est ée. 2. L'aiguille n'est pas correctement posée sur la barre à aiguille. 	<ul style="list-style-type: none"> • Remplacer l'aiguille. • Poser correctement l'aiguille sur la barre à aiguille. 	22 22
Le fil de d'ai- guille se casse.	<ol style="list-style-type: none"> 1. La tête de la machine a été mal enfiée. 2. La tension du fil d'aiguille est excessif pu insuffisante. 3. L'aiguille est tordue ou sa pointe est émoussée. 4. L'aiguille ne convient pas su fil utilisé. 	<ul style="list-style-type: none"> • Corriger l'enfilage. • Régler correctement la tension du fil. • Remplacer la boîte à aiguille. • Utiliser une aiguille adaptée au fil. 	15-17 20 22 21
Le fil de ca- nette se casse.	<ol style="list-style-type: none"> 1. La tension du fil de canette est exces- sive. 2. Le frottement du ressort de boîte à canette a créé une rainure d'usure. 3. Rayures dans l'orifice d'aiguille de la boîte à canette. 	<ul style="list-style-type: none"> • Diminuer la tension. • Remplacer la boîte à aiguille. • Remplacer la plaque à aiguille. 	20 - -
L'aiguille se casse.	<ol style="list-style-type: none"> 1. L'aiguille est tordue ou a été mal instal- lée. 2. L'aiguille heurte la plaque à aiguille ou le pied presseur. 	<ul style="list-style-type: none"> • Remplacer l'aiguille ou la poser correcte- ment. • Positionner correctement l'aiguille, la plaque à aiguille ou le pied presseur. 	22 -
Les point sont froncés.	<ol style="list-style-type: none"> 1. Le pied presseur exerce une pression excessive sur le tissu. 2. La tension du fil d'aiguille n'est pas ée avec celle du fil de canette. 3. La combinaison de l'aiguille et du fil est incorrect. 4. L'aiguille est trop grosse pour le tissu. 	<ul style="list-style-type: none"> • Diminuer la pression du pied presseur. • Équilibrer les tension. • Utiliser une combinaison d'aiguille et de fil correcte. • Utiliser une aiguille adaptée au tissu. 	11 20 21 21
Les points sont mal exécutés.	<ol style="list-style-type: none"> 1. La tension du fil d'aiguille n'est pas équilibrée avec celle du fil de canette. 	<ul style="list-style-type: none"> • Équilibrer les tension. 	20
Le bruit de ro- tation est trop sourd ou fort.	<ol style="list-style-type: none"> 1. Il y a de la poussière dans la griffe d'en- traînement. 2. L'huile est épuisée car la machine a été longtemps utilisée. 3. On a utilisé une huile autre l'huile spé- ciale pour machine à coudre. 4. Des débris de fils se sont accumulés dans le crochent. 	<ul style="list-style-type: none"> • Effectuer l'entretien de la machine. • Effectuer l'entretien de la machine. • Utiliser l'huile pour machine à coudre correcte. • Nettoyer la machine. 	30 30 30 30

Problème	Causes	Remèdes	Page
Le volant ne tourne pas régulièrement ou ne tourne pas.	1. Le fil est embrouillé et pris dans le crochet.	<ul style="list-style-type: none"> Lubrifier le crochet, tourner fortement le volant plusieurs fois dans l'un et l'autre sens, puis retirer le fil pris dans le crochet. 	-
Le tissu n'est pas entraîné.	<ol style="list-style-type: none"> La longueur des points est réglée sur "O". Le bouton d'entraînement simple par griffe est placé sur "NOT FEED " (pas d'entraînement). La pression du ressort de presseur est insuffisante. 	<ul style="list-style-type: none"> Régler la longueur des points à une valeur appropriée. Régler le bouton d'entraînement simple par griffe sur "FEED" (entraînement). Tourner le réglage du ressort de presseur pour régler correctement. 	10 11 11
L'enfilage de l'aiguille ne peut pas être effectué.	<ol style="list-style-type: none"> Lorsque l'aiguille n'a pas été relevée. Lorsque l'aiguille n'a pas été insérée à fond lors de sa pose. Lorsqu'on a fait tourner accidentellement la machine avec le levier d'enfilage de l'aiguille abaissé (pendant l'enfilage). 	<ul style="list-style-type: none"> Tourner le volant ou appuyer sur la touche de relevage/abaissement de l'aiguille pour relever l'aiguille au maximum. Poser correctement l'aiguille. Tourner légèrement le volant à la main vers le côté opposé (sens inverse à celui pendant la couture). 	10 22 -

JUKI[®]

JUKI CORPORATION

2-11-1, TSURUMAKI, TAMA-SHI,
TOKYO, 206-8551, JAPAN

PHONE : (81)42-357-2341

FAX : (81)42-357-2379

Copyright © 2016 JUKI CORPORATION
All rights reserved throughout the world.
Reservados todos los derechos en todo el mundo.
Tous les droits sont réservés à travers le monde.

