

COMPUTER SEWING MACHINE

# HZL-X Series

# PARTS LIST

---

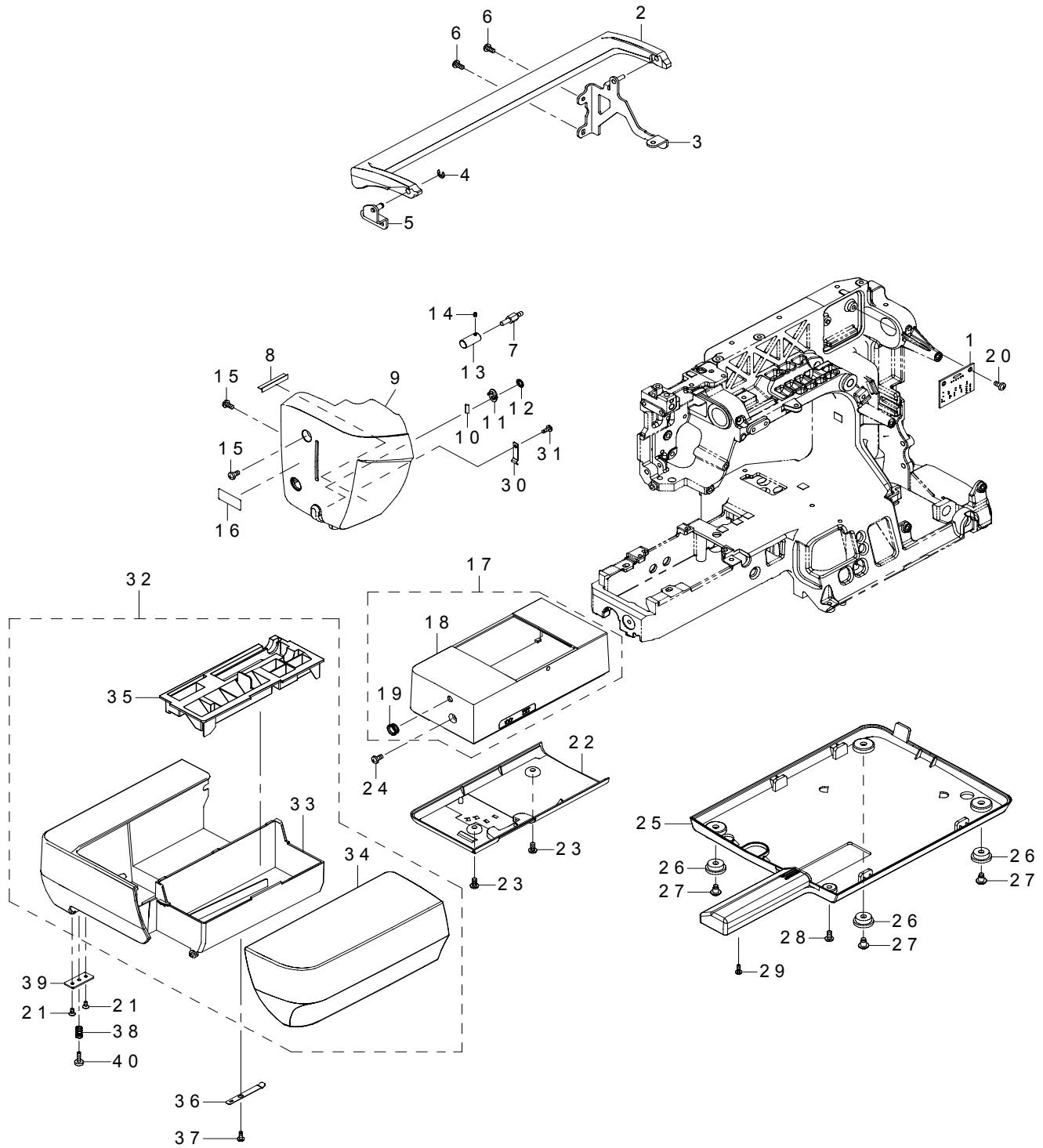
## HOW TO MAKE USE OF THIS PARTS LIST

- 1.As to "#01" and "#02" refer to the "Note" given at the bottom of the respective pages.
- 2.Codes on the "Qty" column
  - Each numeral indicates the number of parts required.
  - "0.1" and "2.5" indicate the length (in meters) of the respective parts.
- 3.Parentheses mean that the corresponding part is a subpart that constructs an assembly part.
- 4.Dotted lines on the Figures indicate assembly parts.

# CONTENTS

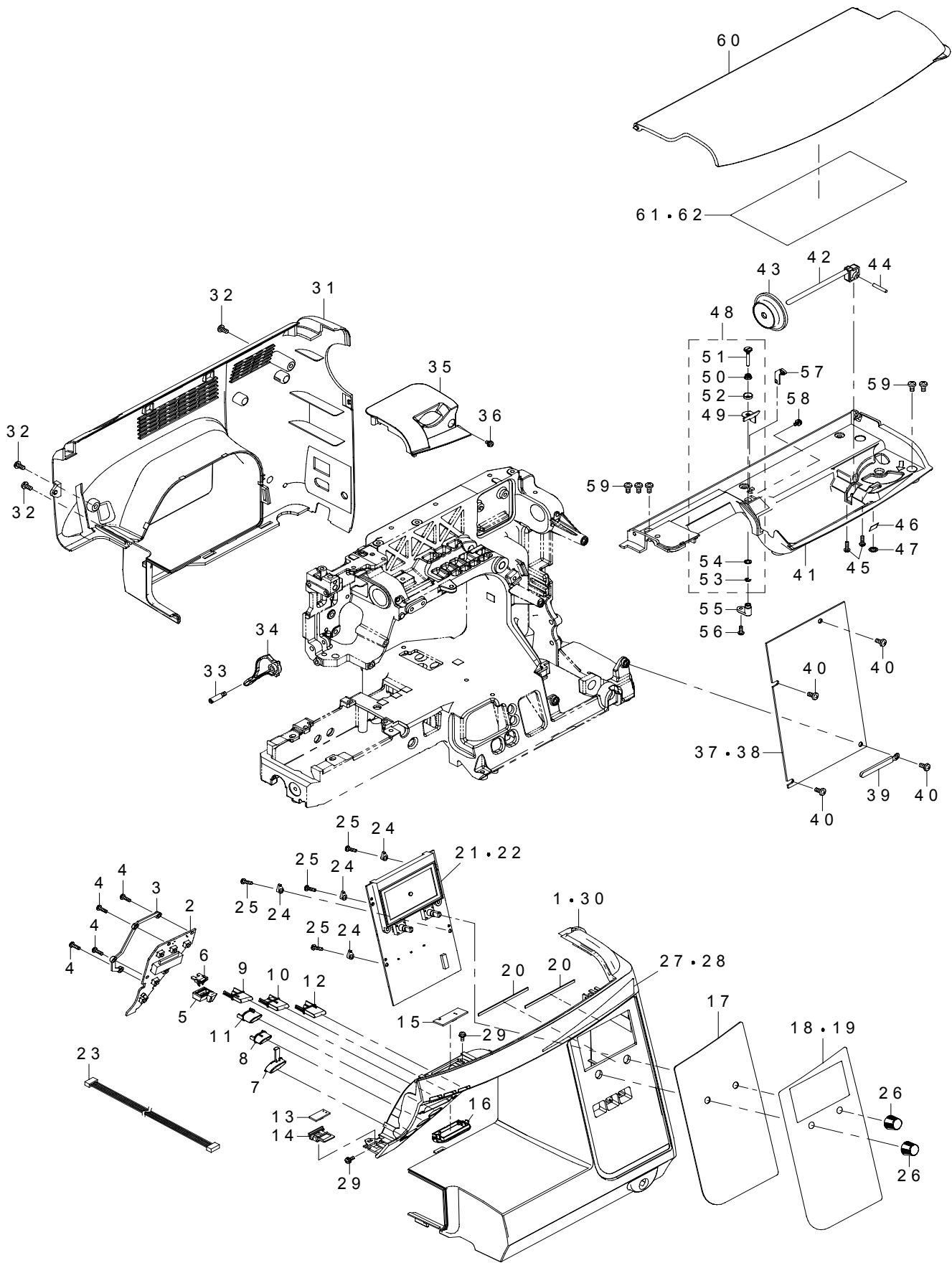
1. FRAME MISCELLANEOUS COVER COMPONENTS (1) .....	1
2. FRAME MISCELLANEOUS COVER COMPONENTS (2) .....	3
3. THROAT PLATE COMPONENTS .....	5
4. UPPER SHAFT & TAKE UP COMPONENTS .....	7
5. NEEDLE BAR & NEEDLE THREADER COMPONENTS .....	9
6. PRESSER MECHANISM & NEEDLE THROWING COMPONENTS .....	11
7. HAND LIFTER COMPONENTS .....	13
8. FEED MECHANISM COMPONENTS .....	15
9. LOWER SHAFT & HOOK COMPONENTS .....	17
10. THREAD TRIMMER COMPONENTS .....	19
11. THREAD TENSION COMPONENTS .....	21
12. BOBBIN WINDER COMPONENTS .....	23
13. KNEE LIFTER COMPONENTS .....	25
14. POWER SUPPLY & MAIN MOTOR COMPONENTS .....	27
15. ACCESSORY PARTS COMPONENTS .....	29
16. PACKING MATERIAL COMPONENTS .....	31
17. OPTIONAL ACCESSORY PARTS COMPONENTS .....	33
NUMERICAL INDEX OF PARTS .....	35

# 1. FRAME MISCELLANEOUS COVER COMPONENTS (1)



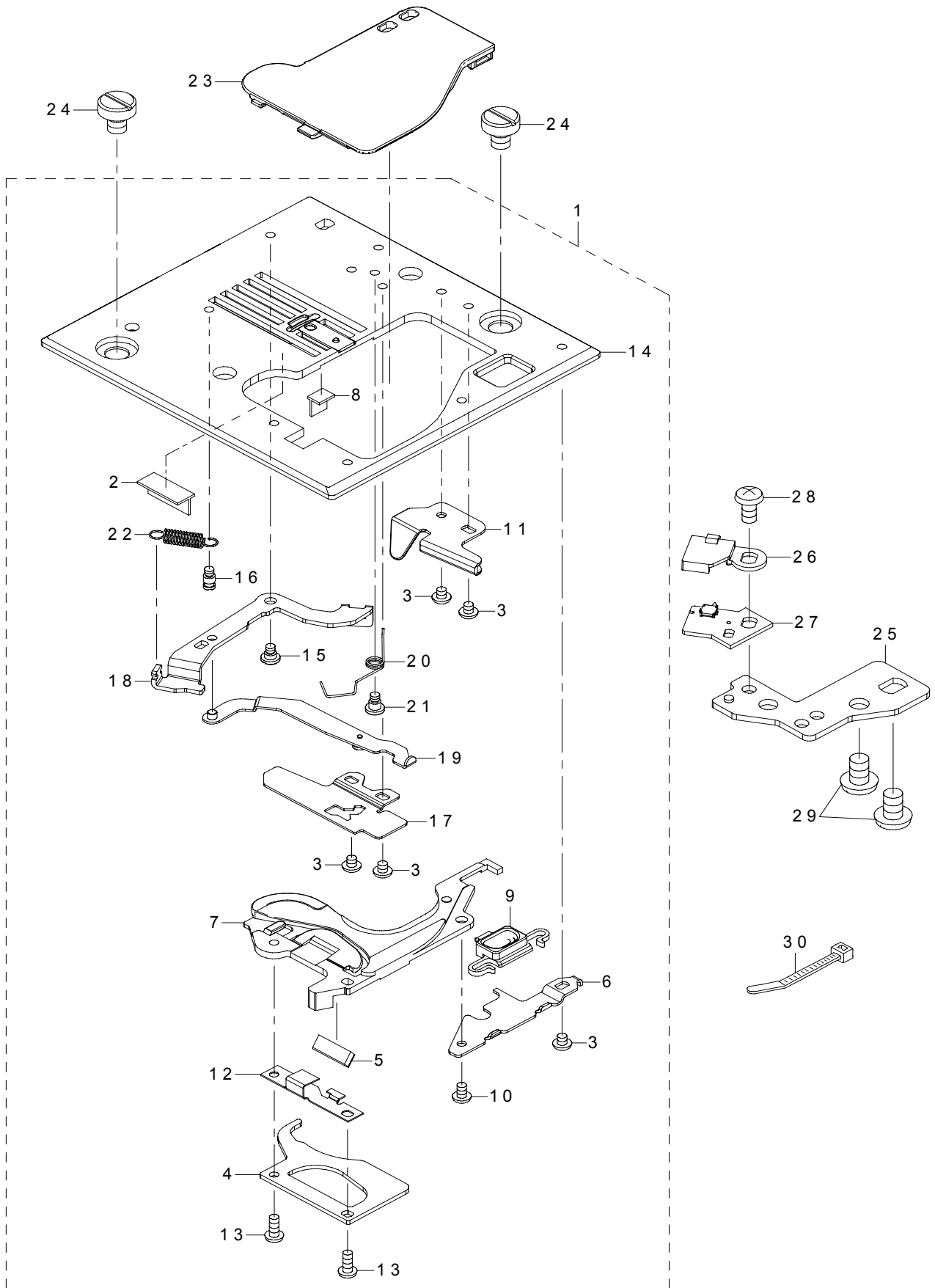
REF.NO	NOTE	PART NO	DESCRIPTION	Qty
1		400-56554	ASSY_SYNC_CIRCUIT_BOARD	1
2		400-59249	HANDLE	1
3		401-07895	HANDLE_BRACKET_ASSY	1
4		RE-0400000-K0	E-RING 4	1
5		400-62500	HANDLE_BRACKET_L_ASSY	1
6		SM-5040855-SN	SCREW	2
7		400-65563	FACE_COVER_GUIDE_SHAFT	1
8		401-60146	PILE_C	1
9		401-62299	FACE_COVER	1
10		401-60147	CUTTER_BLADE	1
11		400-72395	CUTTER HOLDER	1
12		A3205-555-A00	LOCKNUT	1
13		400-70239	FACE_COVER_COLLAR	1
14		SM-8030312-TP	SCREW M3 L=3	1
15		SM-5040855-SN	SCREW	2
16		401-52349	BH_SOCKET_CAUTION_LABEL	1
17		401-62341	FREE_ARM_UPPER_COVER_ASSY	1
18		401-62367	FREE_ARM_UPPER_COVER	(1)
19		401-62342	FREE_ARM_RUBBER	(1)
20		SM-5040855-SN	SCREW	1
21		SM-1030601-SN	SCREW M3X0.5 L=6	1
22		400-53685	FREE_ARM_LOWER_COVER	1
23		SM-5040855-SN	SCREW	2
24		SM-5040855-SN	SCREW	2
25		400-59215	BED_COVER_FOREIGN	1
26		400-57990	RUBBER_WASHER	3
27		400-57922	RUBBER_WASHER_SCREW	3
28		SM-5040855-SN	SCREW	1
29		ST-5030851-SN	SCREW M3X8	1
30		401-63691	NEEDLE_G_FIX_PLATE	1
31		ST-5031251-SF	TAPPING SCREW D=3 L=12	1
32		401-62336	ASSY_AUXILIARY_BED	1
33		400-53683	AUXILIARY_BED	(1)
34		401-62337	AUXILIARY_BED_COVER	(1)
35		400-59209	ACCESSORY_TRAY	(1)
36		401-62339	AUXILIARY_BED_CLICK_SPRING	1
37		ST-5030851-SN	SCREW M3X8	1
38		401-66174	HEIGHT_ADJUSTING_SPLING	1
39		401-63692	HEIGHT_ADJUSTING_BRACKET	1
40		401-63693	HEIGHT_ADJUSTING_RUBBER	1

## 2. FRAME MISCELLANEOUS COVER COMPONENTS (2)



REF.NO	NOTE	PART NO	DESCRIPTION	Qty
1	#01	401-62294	FRONT_PANEL_F_DX7	1
2		401-63152	ASSY_SW/VR_CIRCUIT_BOARD	1
3		401-62324	FRONT_PCB_COLLOR	1
4		ST-5031251-SF	TAPPING SCREW D=3 L=12	4
5		401-62317	SLIDE_VR	1
6		A1146-E50-000	SLIDE_VR_CONNECT_PART	1
7		401-62305	SS_BUTTON	1
8		401-62308	REVERSE_BUTTON	1
9		401-62314	THREAD_TRIMMER_BUTTON	1
10		401-62315	HALF_STITCH_BUTTON	1
11		401-62311	BALL_END_BUTTON	1
12		401-62316	PRESSER_BUTTON	1
13		401-37570	ASSY_ON_HAND_LED_CIRCUIT_BOARD_1	1
14		401-62328	LED_LAMP_COVER_R	1
15	#01	401-35933	ASSY_BOSOM_LED_CIRCUIT_BOARD	1
16	#01	400-59168	BOSM_LED_COVER	1
17		401-63170	TOUCH_SWITCH_SHEET	1
18	#01	401-62318	PATTERN_P_PLATE_DX7	1
19	#02	401-62321	PATTERN_P_PLATE_DX5	1
20		400-91946	LCD_CUSHION	2
21	#01	401-63171	ASSY_PANEL_BOARD_DX7	1
22	#02	401-63172	ASSY_PANEL_BOARD_DX5	1
23		401-63190	ASSY_CPU-PANEL_I/F_CABLE	1
24		401-62325	PANEL_PCB_COLLOR	4
25		ST-5031051-SN	TAPPING SCREW	4
26	#01	400-84595	ADJUSTING_DIAL	2
27	#01	401-62347	EMBLEM_DX7_F	1
28	#02	401-62349	EMBLEM_DX5_F	1
29		SL-4030891-SC	SCREW M3 L=8	2
30	#02	401-62295	FRONT_PANEL_F_DX5	1
31		401-62369	ASSY_REAR_PANEL_FOREIGN	1
32		SM-5040855-SN	SCREW	3
33		400-70284	LIFTER_LEVER_SHAFT	1
34		400-55401	LIFTER_LEVER	1
35		400-59245	TT_COVER_FOREIGN	1
36		SL-4030691-SC	SCREW M3 L=6	1
37	#01	401-63202	ALL_ASSY_CPU_PCB_DX7	1
38	#02	401-63203	ALL_ASSY_CPU_PCB_DX5	1
39		A3811-550-000	CORD HOLDER	2
40		SM-5040855-SN	SCREW	4
41		400-59240	SPOOL_COVER	1
42		400-58088	SPOOL_PIN	1
43		A1145-E50-000	SPOOL_CAP	1
44		PH-0300182-C0	PARALLEL PIN TYPE B 3X18	1
45		ST-5031051-SN	TAPPING SCREW	2
46		401-60147	CUTTER_BLADE	1
47		A3205-555-A00	LOCKNUT	1
48		400-64572	ASSY_THREAD_GUIDE_BASE	1
49		400-62034	THREAD_GUIDE_BASE	(1)
50		A3234-550-000	THREAD_GUIDE_BASE_SPRING	(1)
51		A3235-030-Z00-A	THREAD_GUIDE_DISK_SHAFT	(1)
52		A3233-731-000	THREAD_GUIDE_DISK	(1)
53		A3236-880-000	E_RING	(1)
54		A3237-880-000	WASHER	(1)
55		A1139-030-Z00	THREAD_GUIDE_MOUNTING_PLATE	1
56		ST-5031051-SN	TAPPING SCREW	1
57		400-57397	BW_THREAD_GUIDE	1
58		SL-4030691-SC	SCREW M3 L=6	1
59		SM-5040855-SN	SCREW	5
60		400-59244	ARM_COVER_MATERIAL	1
61	#01	401-62363	PATTERN_SEAL_DX7_F	1
62	#02	401-62365	PATTERN_SEAL_DX5_F	1
		NOTE	#01....FOR HZL-DX7 #02....FOR HZL-DX5	

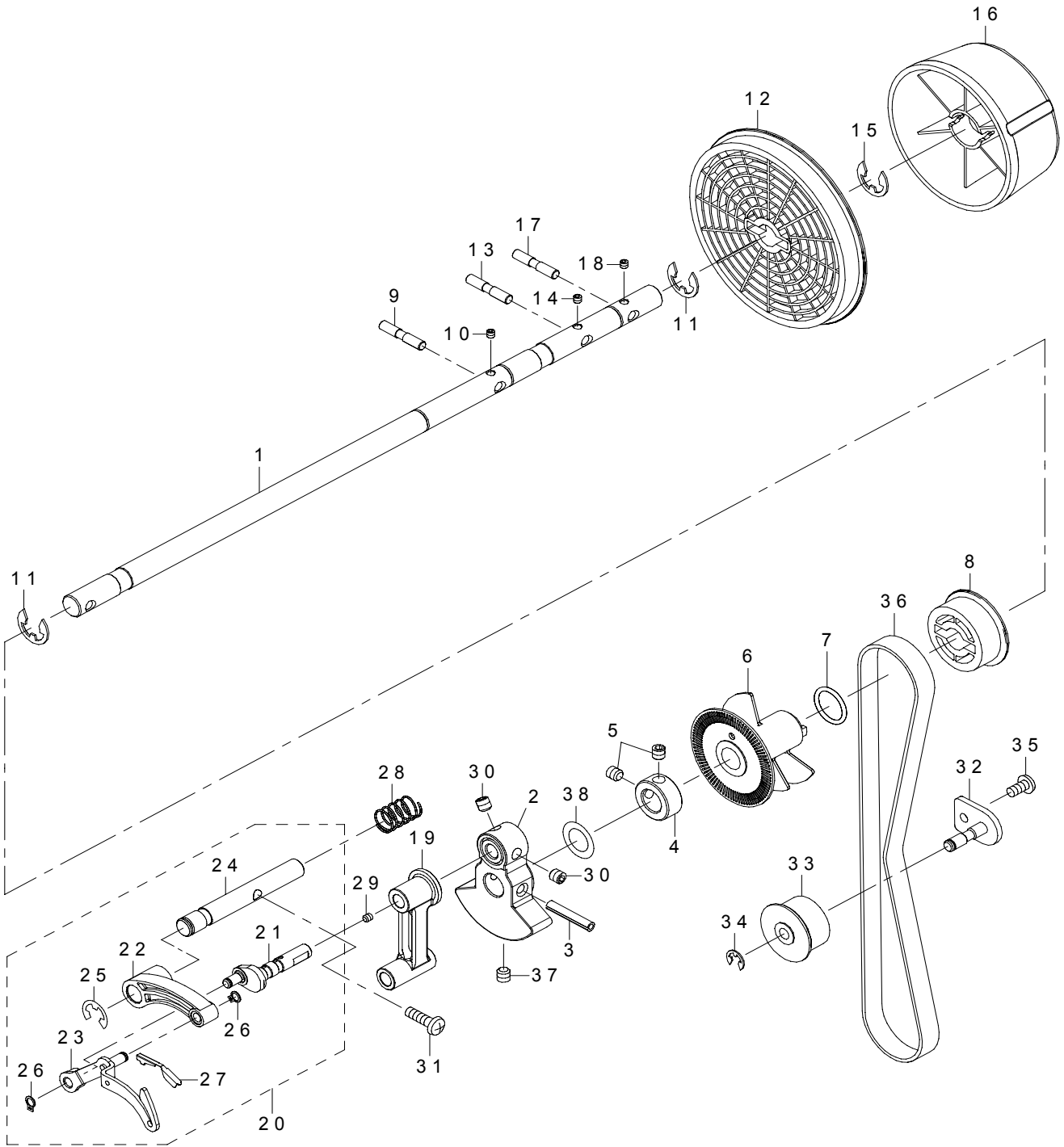
### 3. THROAT PLATE COMPONENTS





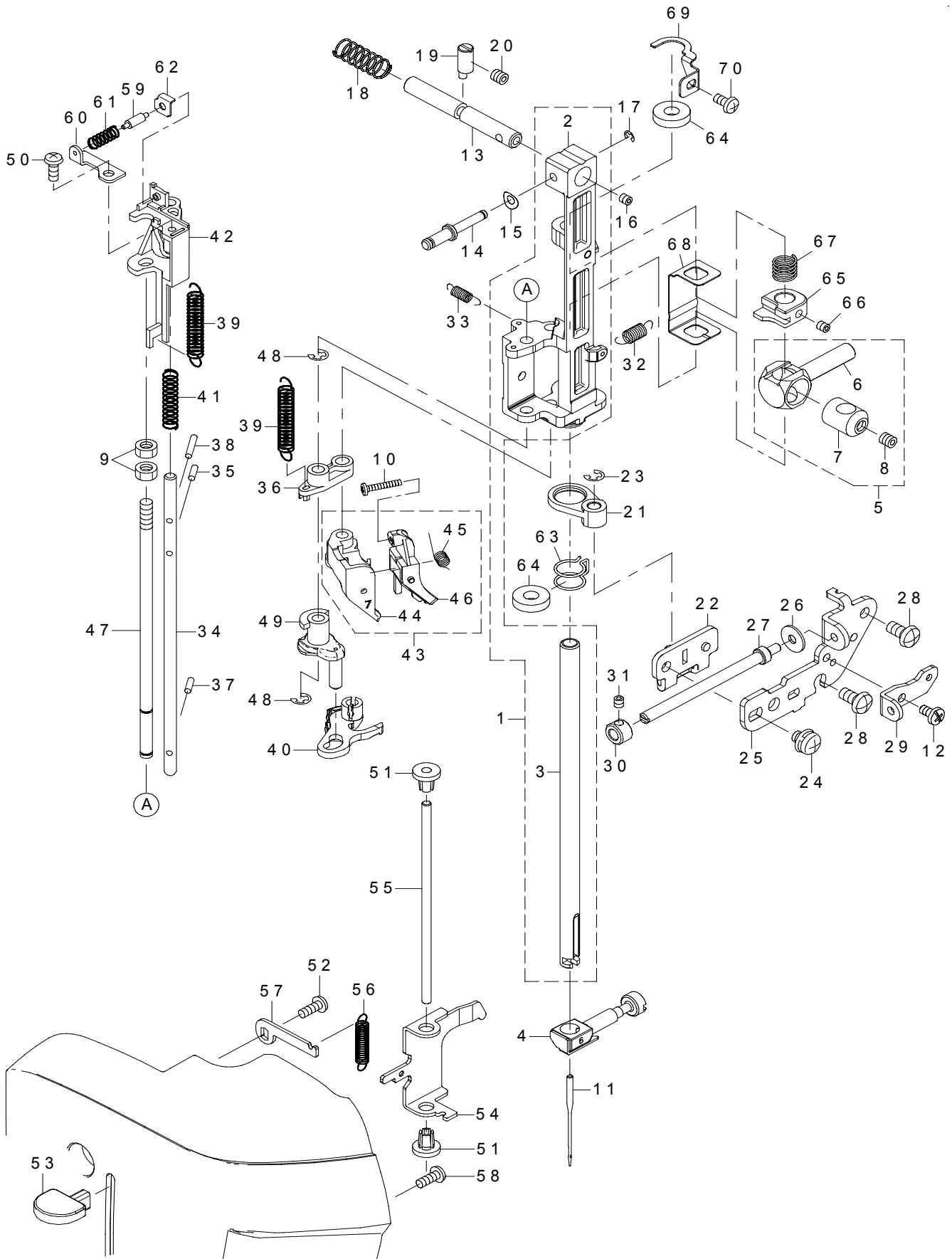
REF.NO	NOTE	PART NO	DESCRIPTION	Qty
1		401-63698	ASSY_THROAT_PLATE	1
2		401-60146	PILE_C	(1)
3		SM-4020201-SC	SCREW M2 L=2	(5)
4		400-57150	STOPPING_PLATE_LEFT	(1)
5		401-60147	CUTTER_BLADE	(1)
6		A1119-010-000	HOOK_COVER_BUTTON_SUPPORT	(1)
7		401-62912	BOBBIN_CASE_COVER	(1)
8		401-60143	PILE_A	(1)
9		A1114-010-000-A	HOOK_COVER_OPEN/CLOSE_BUTTON	(1)
10		SM-4020301-SC	SCREW M2X0.4 L=3	(1)
11		400-65631	HOOK_COVER_SUPPORT_PLATE	(1)
12		A1111-A85-000	SPRING	(1)
13		SM-5020501-SC	SCREW M2 L=5	(2)
14		401-62645	THROAT_PLATE_ASSY	(1)
15		401-63758	SHIFT_ARM_SCREW	(1)
16		401-63759	SPRING_STUD	(1)
17		401-63755	LEVER HOLDER	(1)
18		401-63757	SHIFT_ARM	(1)
19		401-63751	LEVER_ASSY	(1)
20		401-64580	LEVER_SPRING	(1)
21		401-64579	LEVER_SPRING_SCREW	(1)
22		401-63756	SHIFT_ARM_SPRING	(1)
23		401-63748	HOOK_COVER	1
24		A1138-335-000	THROAT PLATE SETSCREW	2
25		401-63885	SWITCH_BASE	1
26		401-63886	SWITCH_COVER	1
27		401-63183	ASSY_SLIDE_PLATE_SENSOR_CIRCUIT_BOARD	1
28		SM-5030655-SN	SCREW M3 L=6	1
29		SM-5040655-SN	SCREW	2
30		401-66324	BAND_SMALL	1

#### 4. UPPER SHAFT & TAKE UP COMPONENTS



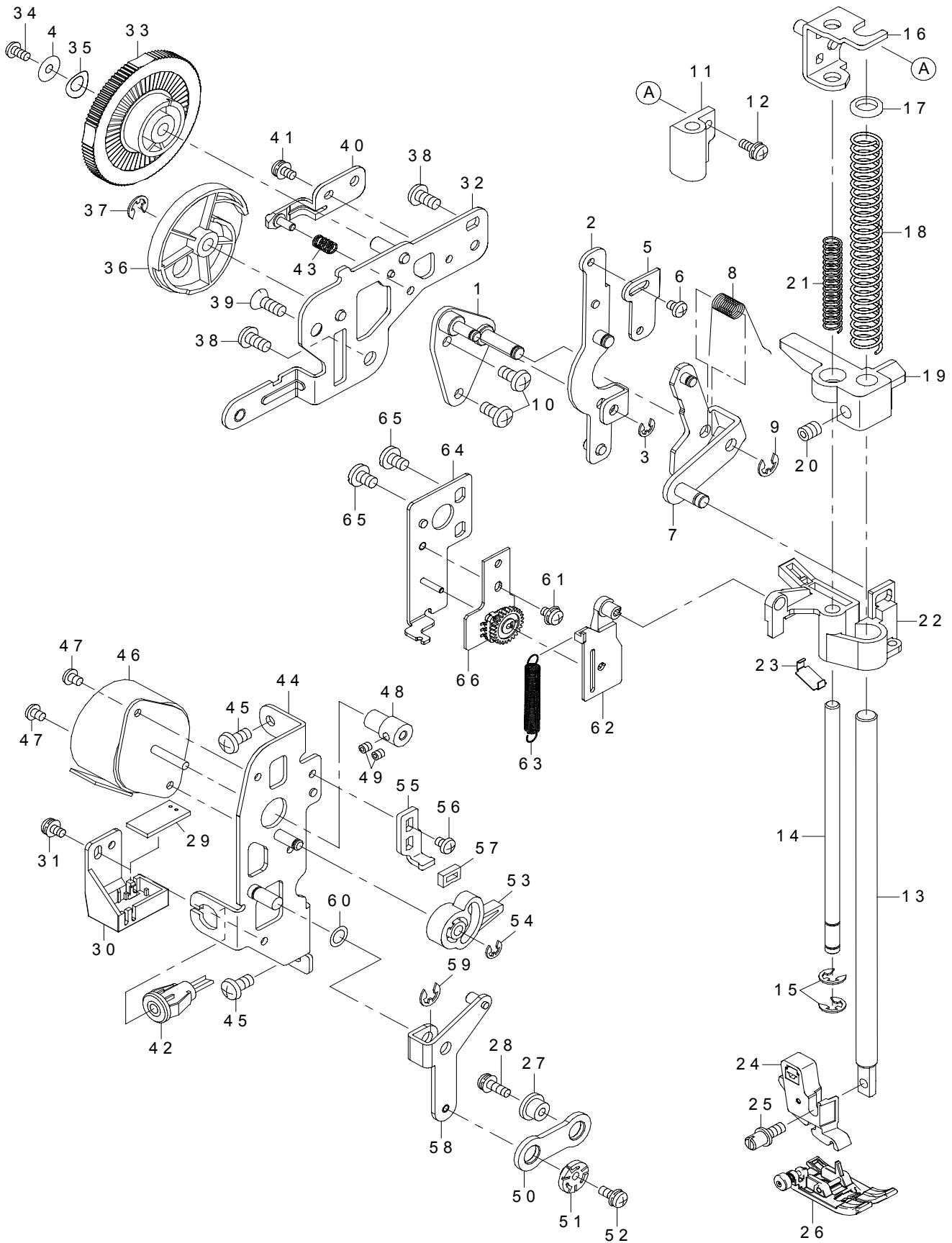
REF.NO	NOTE	PART NO	DESCRIPTION	Qty
1		401-07901	UPPER_SHAFT	1
2		401-63619	COUNTER_WEIGHT	1
3		PS-0400222-KP	SPRING PIN TYPE W 4X22	1
4		CS-1000881-TP	THRUST COLLAR D=10 W=8	1
5		SM-8050512-TP	SCREW	2
6		400-53493	DETECTOR_SHIELD_PLATE	1
7		RO-1331701-00	O-RING	1
8		400-55825	UPPER_SHAFT_PULLEY	1
9		400-53469	MOTOR_PULLEY_PIN	1
10		SM-8030312-TP	SCREW M3 L=3	1
11		RE-0800000-K0	E-SHAPED SNAP RING (8MM)	2
12		400-57983	MOTOR_PULLEY	1
13		400-53469	MOTOR_PULLEY_PIN	1
14		SM-8030312-TP	SCREW M3 L=3	1
15		RE-0800000-K0	E-SHAPED SNAP RING (8MM)	1
16		400-53486	HAND_WHEEL	1
17		400-53469	MOTOR_PULLEY_PIN	1
18		SM-8030312-TP	SCREW M3 L=3	1
19		401-63906	NEEDLE_BAR_CRANK_ROD	1
20		400-57187	TAKE_UP_ASSY	1
21		400-57188	NEEDLE_BAR_CRANK	(1)
22		400-57189	TAKE_UP_CRANK	(1)
23		400-57190	TAKE_UP_BODY_ASSY	(1)
24		401-64903	TAKE_UP_SUPPORT_SHAFT	(1)
25		RE-0600000-K0	E-RING 6	(1)
26		RC-0370411-KP	C-RING 4 (3.7)	(2)
27		400-62518	TAKE_UP_CLICK	(1)
28		400-57355	SUPPORT_SHAFT_SPRING	1
29		SM-8030312-TP	SCREW M3 L=3	1
30		SM-8050512-TP	SCREW	2
31		SM-5041455-SN	SCREW	1
32		400-53479	IDLER_BRACKET_ASSY	1
33		400-56861	IDLER	1
34		RE-0400000-K0	E-RING 4	1
35		SM-5040855-SN	SCREW	1
36		400-57384	TIMING_BELT	1
37		SM-8050512-TP	SCREW	1
38		A1223-010-000	SPRING WASHER	1

## 5. NEEDLE BAR & NEEDLE THREADER COMPONENTS



REF.NO	NOTE	PART NO	DESCRIPTION	Qty
1		401-64851	ASSY_NEEDLE_BAR_FRAME	1
2		401-63764	NEEDLE_BAR_FRAME_X	(1)
3		401-64853	ASSY_NEEDLE_BER	(1)
4		401-21860	ASSY_NEEDLE_CLAMP_F	1
5		401-63699	ASSY_NEEDLE_BAR_CONNECTION	1
6		401-63760	NEEDLE_BAR_CONNECTION	(1)
7		401-63761	NEEDLE_BAR_CONNECTION_INSIDE	(1)
8		SM-8040412-TP	SCREW M4X4	(1)
9		NM-6040002-SF	NUT M4X0.7 TYPE2	2
10		SM-5020855-SN	SCREW M2 L=8	1
11		MHA-100B1400	NEEDLE HAX1 #14	1
12		SM-5030655-SN	SCREW	2
13		400-53497	NEEDLE_BAR_FRAME_SHAFT	1
14		400-53498	NB_FRAME_FULCRUM_SHAFT	1
15		WZ-0320290-UZ	BEND WASHER 3.2X6.5X0.15	1
16		SM-8030312-TP	SCREW M3 L=3	1
17		RE-0200000-K0	E-RING 2	1
18		400-56970	NB_FRAME_SHAFT_SPRING	1
19		A1427-010-000-A	NB_FRAME_ADJUST_SHAFT	1
20		SM-8040412-TP	SCREW M4X4	1
21		400-53516	NB_FRAME_CONTROL_ARM	1
22		400-53517	NB_LATERAL_ADJUST_PLATE_ASSY	1
23		RE-0300000-K0	E-RING 3	1
24		SL-4040691-SC	SCREW M4 L=6	1
25		401-62326	FACE_PLATE_FIXING_PLATE	1
26		WP-0330816-SF	WASHER 3.25X10X0.8	1
27		400-62407	FACE_COVER_SHAFT	1
28		SM-5040855-SN	SCREW	2
29		401-62327	FRONT_PANEL_FIXING_PLATE	1
30		401-61206	SPEED_SHAFT_COLLAR	1
31		SM-8030312-TP	SCREW M3 L=3	1
32		400-56945	NEEDLE_BAR_FRAME_SPRING	1
33		401-60743	NEEDLE_BAR_FRAME_SPRING_L	1
34		400-98262	TP_SHAFT	1
35		A1458-A85-000	TP_SHAFT_PIN_SMALL	1
36		401-08612	LINK_BASE	1
37		A1458-A85-000	TP_SHAFT_PIN_SMALL	1
38		400-55811	TP_SHAFT_PIN_L	1
39		400-55812	TP_CAM_SPRING	2
40		400-55813	TP_HOOK HOLDER_ASSY	1
41		400-55827	TP_SHAFT_SPRING	1
42		400-98264	TP_CAM	1
43		401-08609	ASSY_ASSIST_HOOK	1
44		401-08610	ASSIST_HOOK	(1)
45		400-55828	CLIP_SPRING	(1)
46		400-51255	TENSION_CLIP	(1)
47		400-98263	GUIDE_SHAFT	1
48		RE-0300000-K0	E-RING 3	2
49		401-08611	DRIVING_GEAR	1
50		ST-5030851-SN	SCREW M3X8	1
51		400-79178	TP_LEVER_BUSH	2
52		ST-5030851-SN	SCREW M3X8	1
53		400-55821	TP_HANDLE	1
54		400-98265	TP_LEVER	1
55		400-55822	TP_LEVER_SHAFT	1
56		400-55823	TP_LEVER_SPRING	1
57		400-55824	TP_LEVER_SUPPORT	1
58		ST-5030851-SN	SCREW M3X8	1
59		400-98266	TP_CLICK_SHAFT	1
60		400-98267	TP_CLICK_BASE	1
61		400-98268	TP_CLICK_SPRING	1
62		400-98269	TP_CLICK_PLATE	1
63		401-63779	FELT_GUIDE_L	1
64		A1448-010-000	FELT	2
65		400-55819	TP_NEEDLE_BAR_GUIDE	1
66		SM-8030312-TP	SCREW M3 L=3	1
67		401-63762	NB_CONNECTION_SPRING	1
68		401-63763	CONNECTION_GUIDE	1
69		401-63778	FELT_GUIDE_U	1
70		SM-5030655-SN	SCREW M3X0.5 L=6	1

## 6. PRESSER MECHANISM & NEEDLE THROWING COMPONENTS



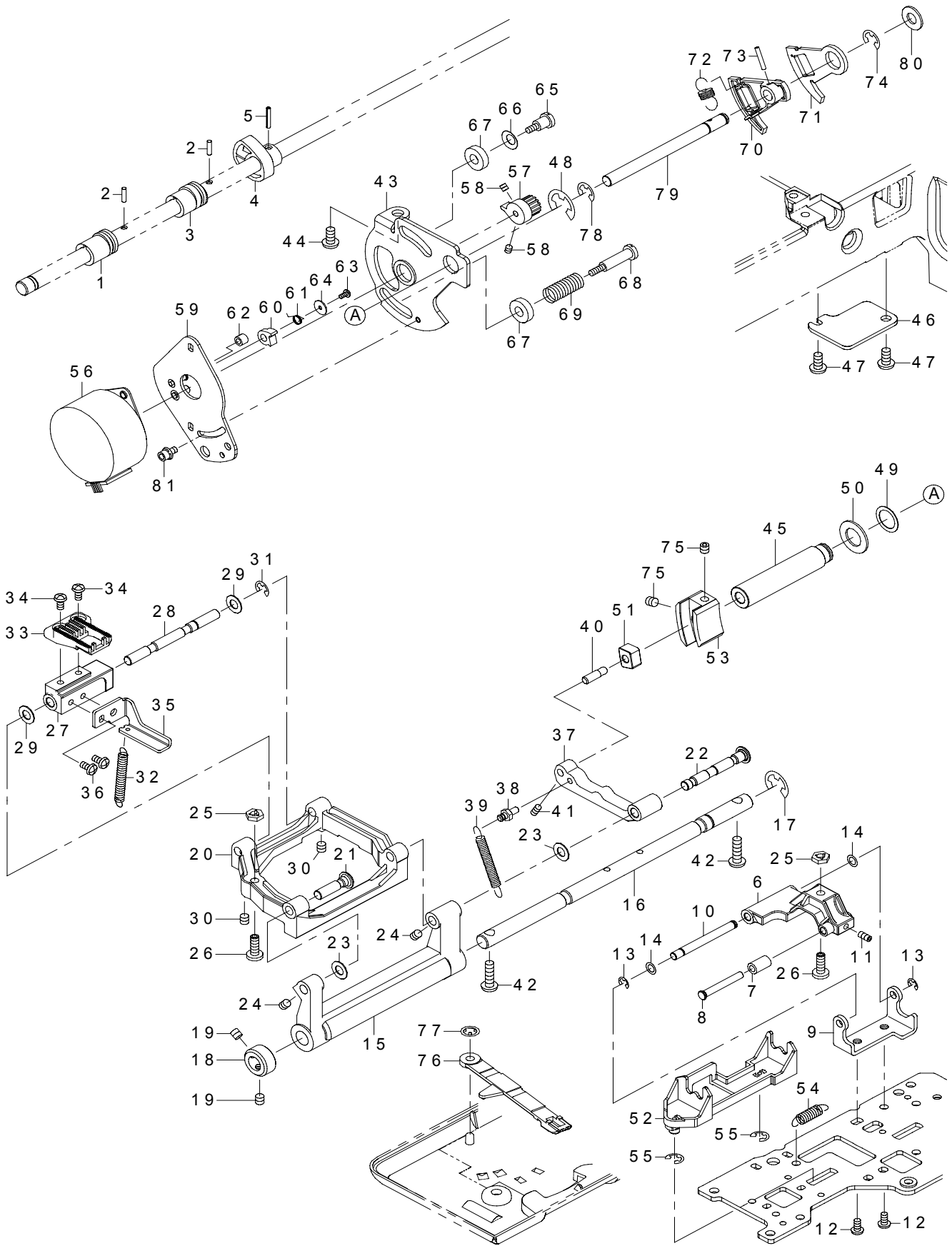
REF.NO	NOTE	PART NO	DESCRIPTION	Qty
1		400-55391	TENSION_RELEASE_BASE_ASSY	1
2		400-55387	TENSION_RELEASE_PLATE_ASSY	1
3		RE-0300000-K0	E-RING 3	1
4		WP-0330816-SF	WASHER 3.25X10X0.8	1
5		401-63784	TR_ADJUST_PLATE	1
6		SM-5030455-SF	SCREW M3 L=4	1
7		401-63785	KNEE_LIFTER_PLATE_ASSY	1
8		401-63787	KNEE_LIFTER_PLATE_SPRING	1
9		RE-0400000-K0	E-RING 4	1
10		SM-5040855-SN	SCREW	2
11		400-76391	SUB_SPRING HOLDER	1
12		SL-4030891-SC	SCREW M3 L=8	1
13		400-55402	PRESSER_BAR	1
14		400-55403	PF_GUIDE_BAR	1
15		RE-0400000-K0	E-RING 4	2
16		400-55409	PRESSER_ADJUST_PLATE_ASSY	1
17		400-55404	PRESSER_SPRING HOLDER	1
18		400-55405	PRESSER_SPRING	1
19		400-55406	PRESSER_BAR_GUIDE	1
20		SM-8050602-TP	SCREW M5 L=6	1
21		400-55412	PRESSER_SUB_SPRING	1
22		401-63788	PRESSER_BLOCK	1
23		400-64224	PRESSER_BLOCK_PLATE	1
24		400-56529	ASSY_PRESSER_FOOT HOLDER	1
25		400-64703	PF HOLDER SCREW	1
26		400-57923	ASSY_STANDARD_PRESSER_FOOT	1
27		400-62144	ROCKING_ROD_BUSH	1
28		SL-4031091-SC	SCREW M3 L=10	1
29		401-63192	ASSY_ON_HAND_LED_CIRCUIT_BOARD_DX	1
30		401-62329	LED_LAMP_COVER_L	1
31		SL-4030691-SC	SCREW M3 L=6	1
32		400-55426	PRESSER_ADJUST_BASE_ASSY	1
33		400-60527	PRESSER_ADJUST_DIAL	1
34		SM-5030655-SN	SCREW M3X0.5 L=6	1
35		A2110-700-000	SPRING WASHER	1
36		400-55433	PRESSER_ADJUST_GEAR	1
37		RE-0400000-K0	E-RING 4	1
38		SM-5040855-SN	SCREW	2
39		SM-1040801-SN	SCREW M4X0.7 L=8	1
40		400-79605	PRESSER_DIAL_CLICK	1
41		SL-4030691-SC	SCREW M3 L=6	1
42		401-63191	ASSY_BH_RELAY_DX	1
43		400-79606	PRESSER_DIAL_CLICK_SPRING	1
44		401-63780	NT_STM_BASE_ASSY	1
45		SM-5040855-SN	SCREW	2
46		401-63131	ASSY_NT_STM	1
47		SM-5030455-SF	SCREW M3 L=4	2
48		400-70288	NT_STM_GEAR	1
49		SM-8030312-TP	SCREW M3 L=3	2
50		400-53499	ROCKING_ROD	1
51		A1456-008-000-A	LEAN CENTER SHAFT	1
52		SL-4030891-SC	SCREW M3 L=8	1
53		400-53505	NEEDLE_THROWING_GEAR	1
54		RE-0400000-K0	E-RING 4	1
55		400-55676	NT_STM_STOPPER	1
56		SM-5030655-SN	SCREW M3X0.5 L=6	1
57		A1646-010-000	RETRIEVAL RUBBER	1
58		401-63782	NEEDLE_THROWING_ARM_ASSY	1
59		RE-0400000-K0	E-RING 4	1
60		WP-0520516-RZ	WASHER 5.2X8X0.5	1
61		SL-5030531-SF	SCREW	2
62		401-63790	SENSOR_RACK	1
63		400-55812	TP_CAM_SPRING	1
64		401-63792	P_BAR_POSITION_S_BR_ASSY	1
65		SM-5040655-SN	SCREW	2
66		401-63159	ASSY_TP_STM_POSITION_CIRCUIT_BOARD	1





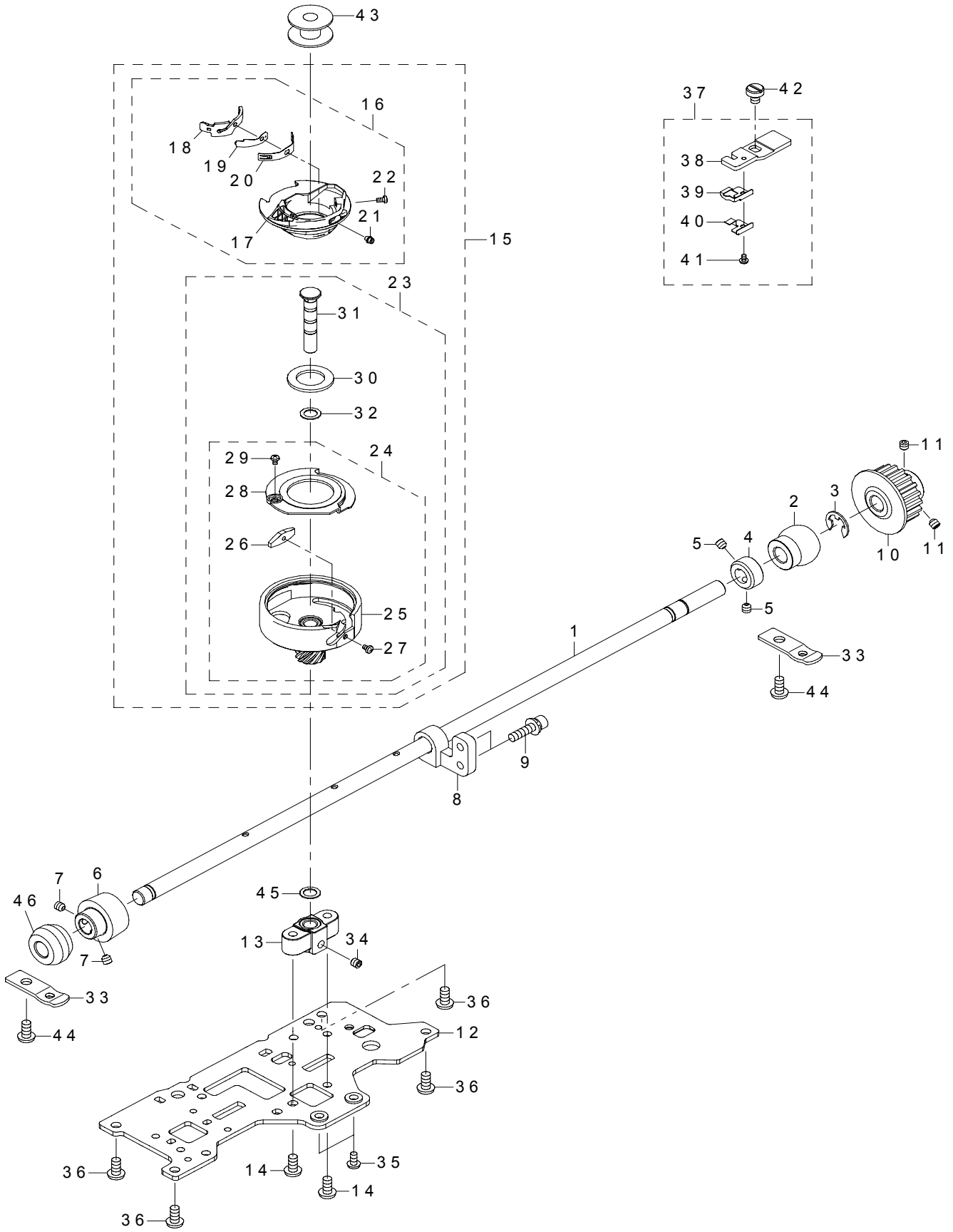
REF.NO	NOTE	PART NO	DESCRIPTION	Qty
1		401-63871	P_LIFT_STM_BASE_ASSY	1
2		401-63133	ASSY_TP_STM	1
3		400-67261	TT_STM_GEAR	1
4		SM-8030312-TP	SCREW M3 L=3	2
5		SM-5030455-SF	SCREW M3 L=4	2
6		401-63198	ASSY_TP_STM_ORG_CIRCUIT_BOARD	1
7		SL-5030531-SF	SCREW M3 L=5	1
8		401-63874	P_F_SENSOR_BRACKET	1
9		SM-5030455-SF	SCREW M3 L=4	1
10		401-63875	P_LIFT_CAM_GEAR	1
11		RE-0400000-K0	E-RING 4	1
12		401-63876	CAM_LEVER_SHAFT	1
13		WP-0620516-RZ	WASHER 6.2X9.5X0.5	1
14		401-63877	CAM_LEVER_ASSY	1
15		SM-5040855-SN	SCREW	1
16		401-63880	CAM_LEVER_ARM	1
17		RE-0500000-K0	E-RING	3
18		401-63881	CAM_LEVER_SPRING	1
19		SM-5040655-SN	SCREW	2
20		401-63882	WIRE_STOPPER	1
21		SM-5030455-SF	SCREW M3 L=4	1
22		401-63883	BED_REINFORCING_PLATE	1
23		A1159-770-000	HEIGHT_ADJUSTING_SPRING	2
24		400-57991	HEIGHT_ADJUSTING_RUBBER	2
25		SM-5040855-SN	SCREW	3

## 8. FEED MECHANISM COMPONENTS



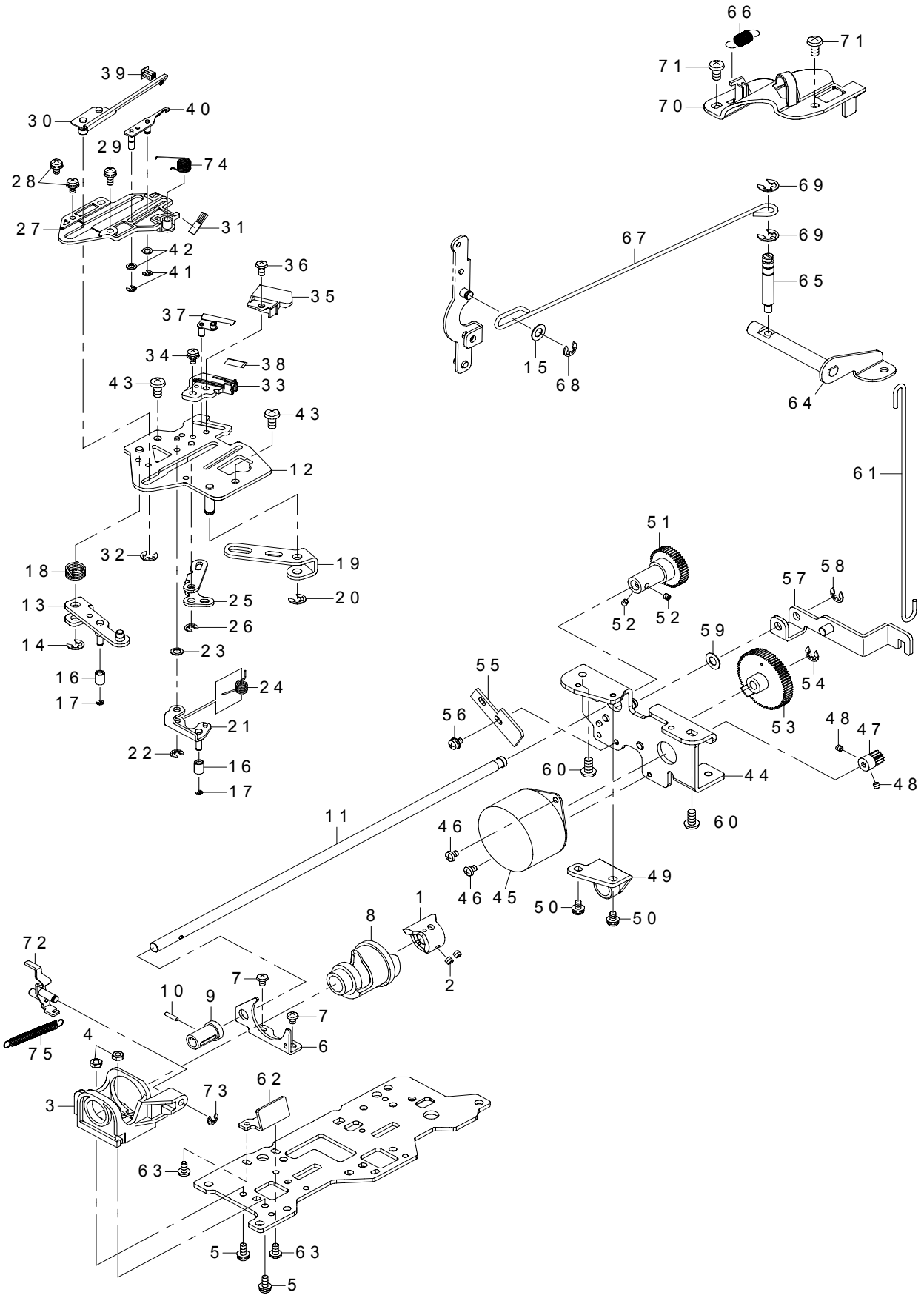
REF.NO	NOTE	PART NO	DESCRIPTION	Qty
1		4005549	VERTICAL FEED CAM	1
2		PS-0200082-KP	SPRING PIN TYPE W 2X8	2
3		400-55499	VF ASSIST CAM	1
4		400-55504	HORIZONTAL FEED CAM	1
5		PS-0200122-KP	SPRING PIN TYPE W 2X12	1
6		400-71970	CORRECTION ARM	1
7		400-71971	CORRECTION ROLLER	1
8		400-71972	CORRECTION ROLLER SHAFT	1
9		400-71973	CORRECTION ARM BASE	1
10		401-07914	CORRECTION ARM SHAFT	1
11		SM-8030612-TP	SET SCREW	1
12		SM-5030655-SN	SCREW M3X0.5 L=6	2
13		RE-0300000-K0	E-RING 3	2
14		WP-0410516-RZ	WASHER	2
15		400-55505	HF ROCKER ARM	1
16		401-07915	HF ROCKER ARM SHAFT	1
17		RE-0700000-K0	E-RING 7	1
18		A1203-030-000	THRUST COLLAR	1
19		SM-8040412-TP	SET SCREW M4 L=4	2
20		400-55513	FEED BAR	1
21		401-07916	FEED BAR SHAFT L	1
22		400-55507	FEED BAR SHAFT R	1
23		WP-0520516-RZ	WASHER	2
24		SM-8040412-TP	SET SCREW M4 L=4	2
25		174804008000	NUT	2
26		401-07917	VF ADJUST SHAFT	2
27		400-55502	ASSIST FEED BAR	1
28		401-07918	ASSIST FEED BAR SHAFT	1
29		WP-0520516-RZ	WASHER	2
30		SM-8040412-TP	SET SCREW M4 L=4	2
31		RE-0400000-K0	E-RING 4	1
32		400-55501	FEED BAR SPRING	1
33		401-07919	FEED DOG	1
34		SM-5030655-SN	SCREW M3X0.5 L=6	2
35		400-71969	CORRECTION PLATE	1
36		SM-5030655-SN	SCREW M3X0.5 L=6	2
37		400-60607	HORIZONTAL FEED ARM	1
38		400-56010	HF ARM SPRING PIN	1
39		400-55517	HORIZONTAL FEED ARM SPRING	1
40		A1624-010-000	SLIDE BLOCK SHAFT	1
41		SM-8030612-TP	SET SCREW	1
42		SM-5041455-SN	SCREW	2
43		401-07921	FEED STM FIXING PLATE	1
44		SM-5040855-SN	SCREW	1
45		400-55520	FEED REGULATOR BUSHING	1
46		400-55519	FR BUSHING CLAMP PLATE	1
47		SM5040855	SCREW	2
48		RE-0800000-K0	E-SHAPED SNAP RING (8MM)	1
49		WZ-1052010-KP	WAVED WASHER	1
50		WP-1021016-SD	WASHER	1
51		400-55524	FEED REGULATOR BLOCK	1
52		400-57335	DF WORKING BODY	1
53		400-55522	FEED REGULATOR	1
54		400-66691	DF RETURN SPRING	1
55		RE400000K0	E-RING 4	2
56		400-56558	ASSY FD STM	1
57		400-55530	FEED STM GEAR	1
58		SM-8030312-TP	SCREW M3 L=3	2
59		401-07924	FEED ADJUSTING PLATE ASSY	1
60		400-55531	FEED STOPPER LEVER	1
61		400-55532	FEED STOPPER SPRING	1
62		400-55533	ORIGIN DETECTING RUBBER	1
63		SM-4020401-SC	SCREW M2 L=4	1
64		WP-0210516-SD	PLAIN WASHER 2.1X8X0.5	1
65		A1650-008-000-A	STAGE SCREW A	1
66		A2110-700-000	SPRING WASHER	1
67		400-55539	FEED STM WASHER	2
68		A1651-008-000	STAGE SCREW A	1
69		A1658-008-000	SPRING	1
70		400-55526	FEED REGULATOR GEAR A	1
71		400-55527	FEED REGULATOR GEAR B	1
72		400-55528	FR GEAR SPRING	1
73		PS-0200122-KP	SPRING PIN TYPE W 2X12	1
74		RE-0500000-K0	E-RING	1
75		SM-8040412-TP	SET SCREW M4 L=4	2
76		400-57334	DF LEVER	1
77		A3205-555-A00	LOCKNUT	1
78		RE-0500000-K0	E-RING	1
79		400-55521	FEED_REGULATOR_SHAFT	1
80		WP-0621016-SD	WASHER 6.2X13X1	1
81		SL-6030692-TN	SCREW M3 L=6	1

# 9. LOWER SHAFT & HOOK COMPONENTS



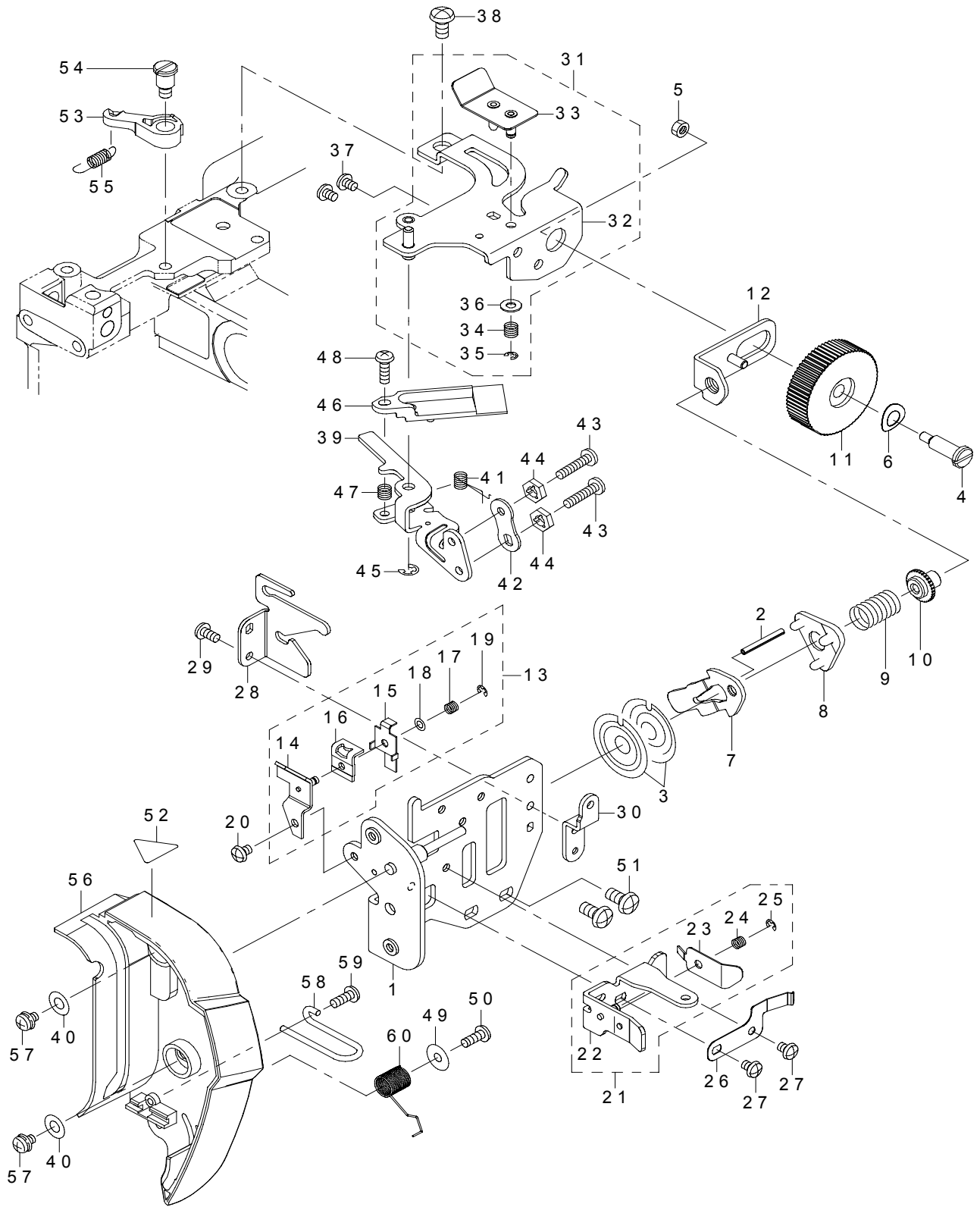
REF.NO	NOTE	PART NO	DESCRIPTION	Qty
1		401-07929	LOWER_SHAFT	1
2		A1810-E60-000	LOWER SHAFT WELT BEARING	1
3		RE-0700000-K0	E-RING 7	1
4		A1203-030-000	THRUST COLLAR	1
5		SM-8040412-TP	SCREW M4X4	2
6		400-99886	HOOK_DRIVING_GEAR	1
7		SM-8040412-TP	SCREW M4X4	2
8		400-53495	LOWER_SHAFT_SUPPORT	1
9		SL-6041692-TN	SCREW M4 L=16	2
10		400-55826	LOWER_SHAFT_PULLEY	1
11		SM-8040412-TP	SCREW M4X4	2
12		401-64220	HOOK_BRACKET	1
13		400-53456	HOOK_DRIVING_SHAFT_BASE	1
14		SM-5040855-SN	SCREW	2
15		400-81293	ALL_ASSY_HOOK	1
16		400-80420	BOBBIN_CASE_PROCESSING	(1)
17		400-58626	BOBBIN_CASE_MATERIAL	(1)
18		400-60608	BOBBIN_CASE_THREAD_GUIDE	(1)
19		A1840-009-000	LOWER THREAD ADJUSTING SPRING A	(1)
20		A1841-S56-000	LOWER THREAD ADJUSTING SPRING B	(1)
21		A1843-030-000	LOWER THREAD ADJUSTING SCREW	(1)
22		A1844-030-000	BOBBIN CASE THRED GUIDE SCREW	(1)
23		A1830-E80-0C0	HOOK ASM.	(1)
24		A1830-E80-0B0	HOOK ASM.	(1)
25		A1830-031-0A0	HOOK ASM.	(1)
26		A1832-008-000	HOOK NEEDLE GUARD	(1)
27		SM-5020301-SC	SCREW M2 L=3	(1)
28		A1831-031-000	HOOK BASE PLATE	(1)
29		SM-5020301-SC	SCREW M2 L=3	(1)
30		A1833-E50-000	FELIGHT MAGNET	(1)
31		A1809-031-0A0	HOOK SHAFT (ASM.)	(1)
32		WP-0620516-RZ	WASHER 6.2X9.5X0.5	(1)
33		2112002000	LOWER SHAFT WELT BEARING PLATE	2
34		SM-8040412-TP	SCREW M4X4	1
35		SM-5030655-SN	SCREW M3X0.5 L=6	2
36		SM-5040855-SN	SCREW	4
37		400-64997	ASSY_BOBBIN_CASE_STOPPER	1
38		400-53454	BOBBIN_CASE_STOPPER_PLATE	(1)
39		400-56975	BOBBIN_CASE_STOPPER_SPRING	(1)
40		400-56976	STOPPER_SPRING_SUPPORT	(1)
41		SM-5020301-SC	SCREW M2 L=3	(1)
42		A1138-335-000	THROAT PLATE SETSCREW	1
43		1141000000	BOBBIN	1
44		SM-5040855-SN	SCREW	2
45		WP-0620516-RZ	WASHER 6.2X9.5X0.5	1
46		41207008000	LOWER SHAFT WELT BEARING	1

# 10. THREAD TRIMMER COMPONENTS



REF.NO	NOTE	PART NO	DESCRIPTION	Qty
1		401-36001	THREAD_TRIMMER_CAM	1
2		SM-8030312-TP	SCREW M3 L=3	2
3		400-65718	DRIVING_CAM HOLDER	1
4		NM-6030002-SF	NUT M3	2
5		SL-4030891-SC	SCREW M3 L=8	2
6		400-53581	DRIVING_CAM_BRACKET_R	1
7		SM-5030455-SF	SCREW M3 L=4	2
8		401-36004	CATCHER_DRIVING_CAM	1
9		400-53586	CAM_DRIVING_GEAR_L	1
10		PS-0200082-KP	SPRING PIN TYPE W 2X8	1
11		400-53587	CAM_DRIVING_SHAFT	1
12		401-36005	TT_MECHANISM_BASE_ASSY	1
13		400-53598	CATCHER_WORKING_LINK_ASSY	1
14		RE-0400000-K0	E-RING 4	1
15		WP-0410516-RZ	WASHER	1
16		400-53602	LINK_SHAFT_ROLLER	2
17		RE-0150000-K0	SNAP RING 1.5	2
18		400-53610	CATCHER_WORKING_LINK_SPRING	1
19		400-53603	CATCHER_LINK	1
20		RE-0400000-K0	E-RING 4	1
21		400-53612	TT_DRIVING_LINK_ASSY	1
22		RE-0300000-K0	E-RING 3	1
23		WP-0410516-RZ	WASHER	1
24		400-53611	TT_DRIVING_LINK_SPRING	1
25		400-53616	THREAD_TRIMMER_LINK	1
26		RE-0300000-K0	E-RING 3	1
27		401-36007	THREAD_CATCH_GUIDE	1
28		SL-4030691-SC	SCREW M3 L=6	2
29		SL-4030891-SC	SCREW M3 L=8	1
30		400-53604	CATCHER_ASSY	1
31		401-60192	BRUSH_A	1
32		RE-0400000-K0	E-RING 4	1
33		401-36008	TT_CUTTER_BASE	1
34		SL-4030691-SC	SCREW M3 L=6	1
35		401-36009	TT_CUTTER_COVER	1
36		SM-5030655-SN	SCREW M3X0.5 L=6	1
37		401-35998	TT_CATCHER_ASSY	1
38		401-60147	CUTTER_BLADE	1
39		401-60145	PILE_B	1
40		400-78681	UT_HOOK_ASSY	1
41		RE-0200000-K0	E-RING 2	2
42		WP-0310516-RZ	WASHER 3.1X5.4X0.5	2
43		SM-5040855-SN	SCREW	2
44		401-63795	THREAD_TRIMMER_STM_BASE_ASSY	1
45		401-63132	ASSY_TT_STM	1
46		SM-5030455-SF	SCREW M3 L=4	2
47		400-67261	TT_STM_GEAR	1
48		SM-8030312-TP	SCREW M3 L=3	2
49		400-67671	CAM_DRIVING_GEAR_R HOLDER	1
50		SL-4030691-SC	SCREW M3 L=6	2
51		400-53585	CAM_DRIVING_GEAR_R	1
52		SM-8030312-TP	SCREW M3 L=3	2
53		400-53584	INTERMEDIATE_GEAR	1
54		RE-0400000-K0	E-RING 4	1
55		401-63195	ASSY_TT_STM_ORG_CIRCUIT_BOARD	1
56		SL-5030531-SF	SCREW M3 L=5	1
57		400-53641	TR_PLATE_LOWER_ASSY	1
58		RE-0400000-K0	E-RING 4	1
59		WP-0520516-RZ	WASHER 5.2X8X0.5	1
60		SM-5040855-SN	SCREW	2
61		401-63797	TR_LINK_LOWER	1
62		401-45842	CAM_DRIVING_SHAFT_SUPPORT	1
63		SM-5030655-SN	SCREW M3X0.5 L=6	2
64		400-53637	TR_LINK_PLATE_ASSY	1
65		400-53632	TR_CONNECT_SHAFT	1
66		400-53636	TENSION_RELEASE_SPRING	1
67		400-53628	TR_LINK_UPPER	1
68		RE-0400000-K0	E-RING 4	1
69		RE-0500000-K0	E-RING	2
70		400-55796	WIRE_GUIDE_A	1
71		SM-5040855-SN	SCREW	2
72		400-78686	UT_HOOK_LEVER_ASSY	1
73		RE-0300000-K0	E-RING 3	1
74		400-78685	UT_HOOK_SPRING	1
75		400-78690	UT_HOOK_LEVER_SPRING	1

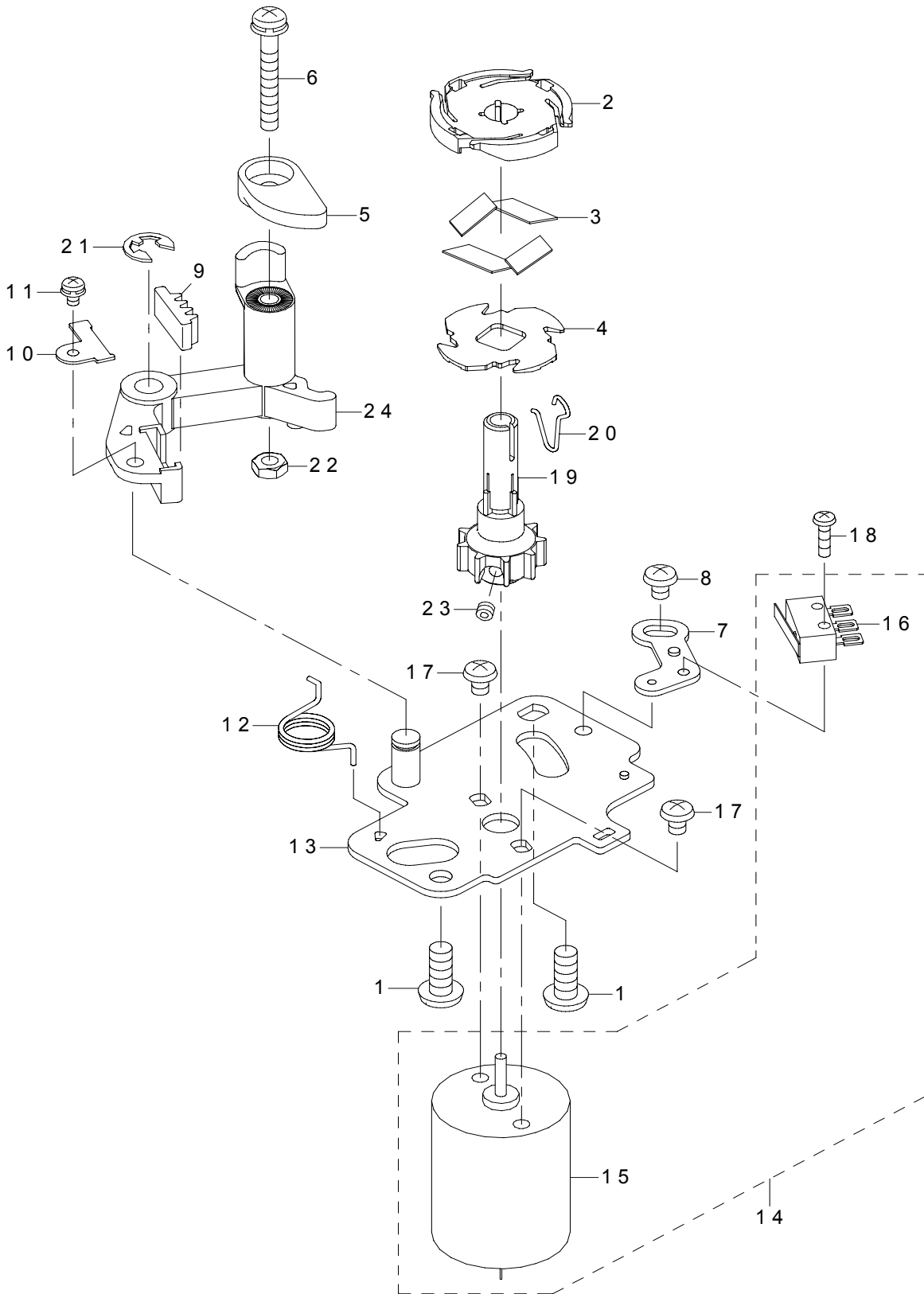
# 11. THREAD TENSION COMPONENTS





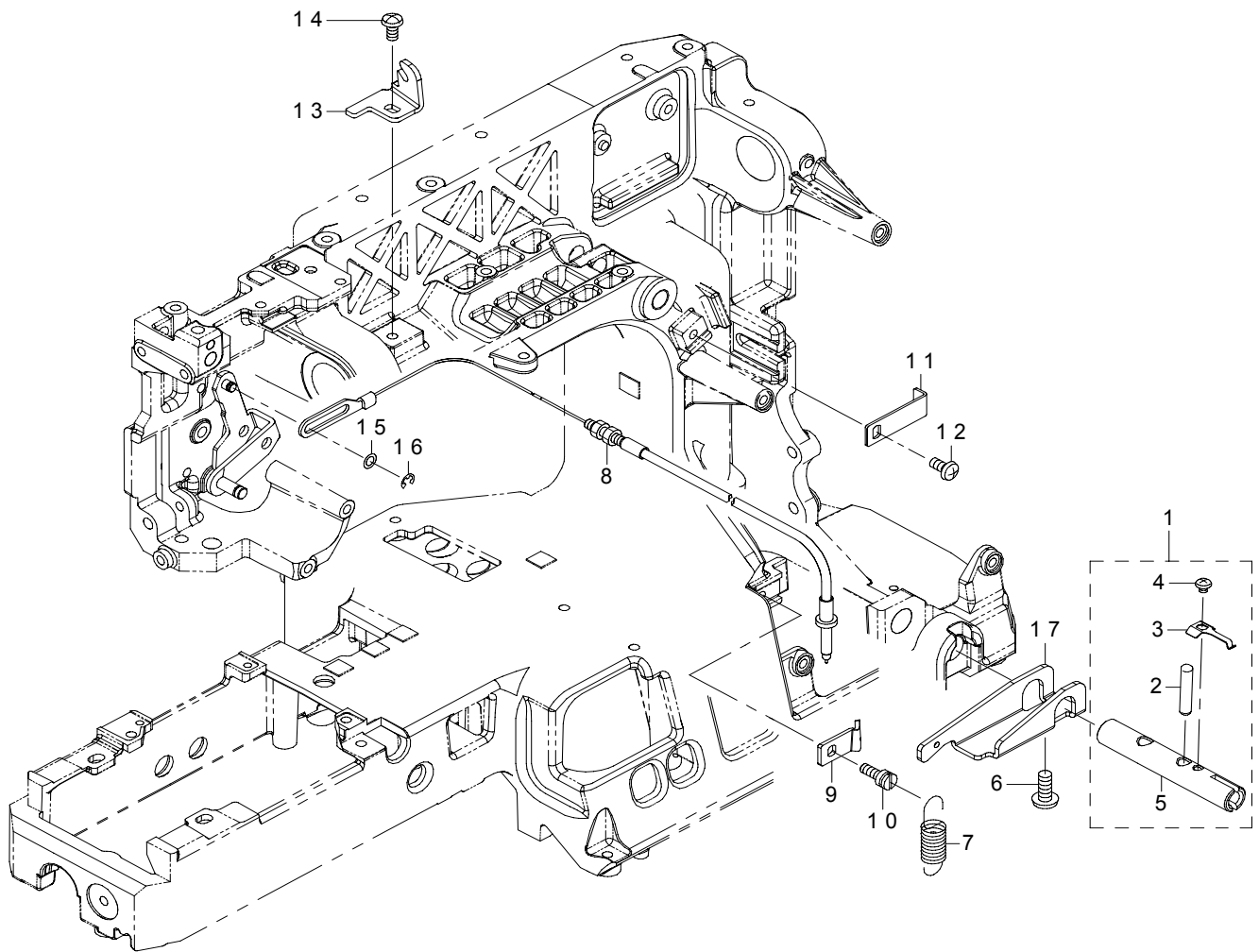
REF.NO	NOTE	PART NO	DESCRIPTION	Qty
1		400-53520	FACE_PLATE_ASSY	1
2		PS-0200182-KP	SPRING PIN TYPE W 2X18	1
3		A3910-634-000-B	TENSION DISC	2
4		400-66124	TT_DIAL_SHAFT	1
5		NM-6030002-SF	NUT M3	1
6		A2110-700-000	SPRING WASHER	1
7		400-53525	DISC_RELEASE_PLATE	1
8		400-55371	DISC HOLDER	1
9		401-12878	THREAD_TENSION_SPRING	1
10		400-53526	THREAD_TENSION_ADJUST_NUT	1
11		401-61989	TT_DIAL_FOREIGN	1
12		400-53532	THREAD_TENSION_ADJUST_PLATE_ASSY	1
13		A3173-E50-0B0	PRETENSION (MAS ASM.)	1
14		A3173-E50-0A0	PRETENSION DISH ASM. LEFT	(1)
15		A3171-T50-000	PRETENSION LEVER	(1)
16		A3172-T50-000	PRETENSION DISC	(1)
17		A3175-T70-000	PRETENSION SPRING	(1)
18		WP-0260116-RZ	WASHER 2.6X4.7X0.13	(1)
19		RE-0200000-K0	E-RING 2	(1)
20		SM-5030455-SF	SCREW M3 L=4	1
21		400-64573	ASSY_SUB_TENSION_BASE	1
22		400-62044	SUB_TENSION_BASE_ASSY	(1)
23		400-62047	SUB_TENSION	(1)
24		400-62048	SUB_TENSION_SPRING	(1)
25		RE-0200000-K0	E-RING 2	(1)
26		400-53528	THREAD_TENSION_DIAL_CLICK	1
27		SM-5030655-SN	SCREW M3X0.5 L=6	2
28		400-57974	ARM_THREAD_GUIDE	1
29		SM-5030655-SN	SCREW M3X0.5 L=6	1
30		400-58407	THREAD_TENSION_COVER_BRACKET	1
31		400-64704	ASSY_BASE_TENSION_BASE	1
32		400-55383	BASE_TENSION_BASE_ASSY	(1)
33		400-55384	BASE_TENSION_ASSY	(1)
34		400-55420	BASE_TENSION_SPRING	(1)
35		RE-0200000-K0	E-RING 2	(1)
36		WP-0320501-SC	WASHER M3	(1)
37		SM-5030455-SF	SCREW M3 L=4	2
38		SM-5040855-SN	SCREW	1
39		400-55561	RELEASE_ARM	1
40		WP-0430801-SC	WASHER M4	2
41		400-55400	RELEASE_ARM_SPRING	1
42		400-70286	RELEASE_ARM_SPACER	1
43		SM-5031001-SE	SCREW M3 L=10	2
44		174803004000	NUT	2
45		RE-0300000-K0	E-RING 3	1
46		400-66195	BASE_TENSION_LIFTER	1
47		400-66193	BASE_TENSION_LIFTER_SPRING	1
48		SM-5031001-SE	SCREW M3 L=10	1
49		WP-0330816-SF	WASHER 3.25X10X0.8	1
50		ST-5030851-SN	SCREW M3X8	1
51		SM-5040855-SN	SCREW	2
52		CM-3002000-01	FINGER INJURY CAUTION LABEL (16)	1
53		400-55396	TENSION_RELEASE_ARM	1
54		400-55397	TR_ARM_LOCATE_SCREW	1
55		401-61187	TR_ARM_SPRING	1
56		401-62302	FACE_PLATE_COVER	1
57		SL-4030591-SC	SCREW M3 L=5	2
58		400-55376	TAKE_UP_SPRING_GUIDE	1
59		ST-5030851-SN	SCREW M3X8	1
60		401-63854	TAKE_UP_SPRING	1

## 12. BOBBIN WINDER COMPONENTS



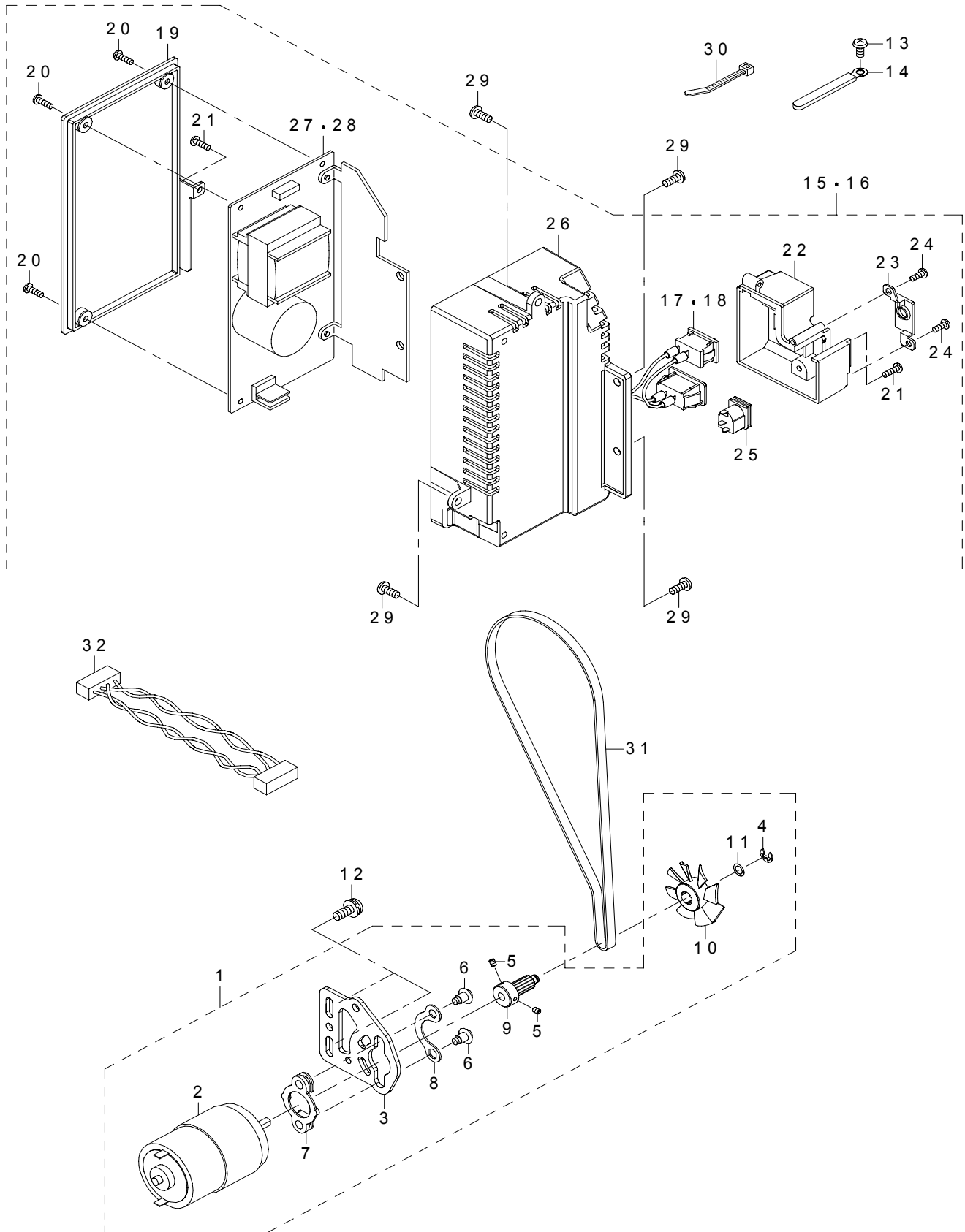
REF.NO	NOTE	PART NO	DESCRIPTION	Qty
1		ST-5041051-SN	SCREW	2
2		401-62332	BOBBIN_RECEIVER	1
3		401-60147	CUTTER_BLADE	4
4		401-62335	BW_BLADE_HOLDER	1
5		400-53677	BW_ADJUST_BODY	1
6		SL-4032081-SC	SCREW M3 L=20	1
7		400-97680	SW_BASE	1
8		SM-5030655-SN	SCREW M3X0.5 L=6	1
9		400-76145	STOPPER_RUBBER	1
10		400-76146	RUBBER_FIXING_PLATE	1
11		SL-4020491-SC	SCREW M2 L=4	1
12		400-61796	BW_SPRING	1
13		400-97677	BOBBIN_WINDER_BASE_ASSY	1
14		401-16031	ASSY_WIND_MOTOR	1
15		400-65720	WIND_MOTOR	(1)
16		HA-0032500-0B	SWITCH	(1)
17		SM-5030455-SF	SCREW M3 L=4	2
18		SM-5020855-SN	SCREW M2 L=8	1
19		401-62333	BOBBIN_WINDER_SHAFT	1
20		400-84023	BOBBIN_STOPPER_SPRING	1
21		RE-0400000-K0	E-RING 4	1
22		NM-6030002-SF	NUT M3	1
23		SM-8030312-TP	SCREW M3 L=3	1
24		400-97679	BW_ADJUST_BASE	1

### 13. KNEE LIFTER COMPONENTS



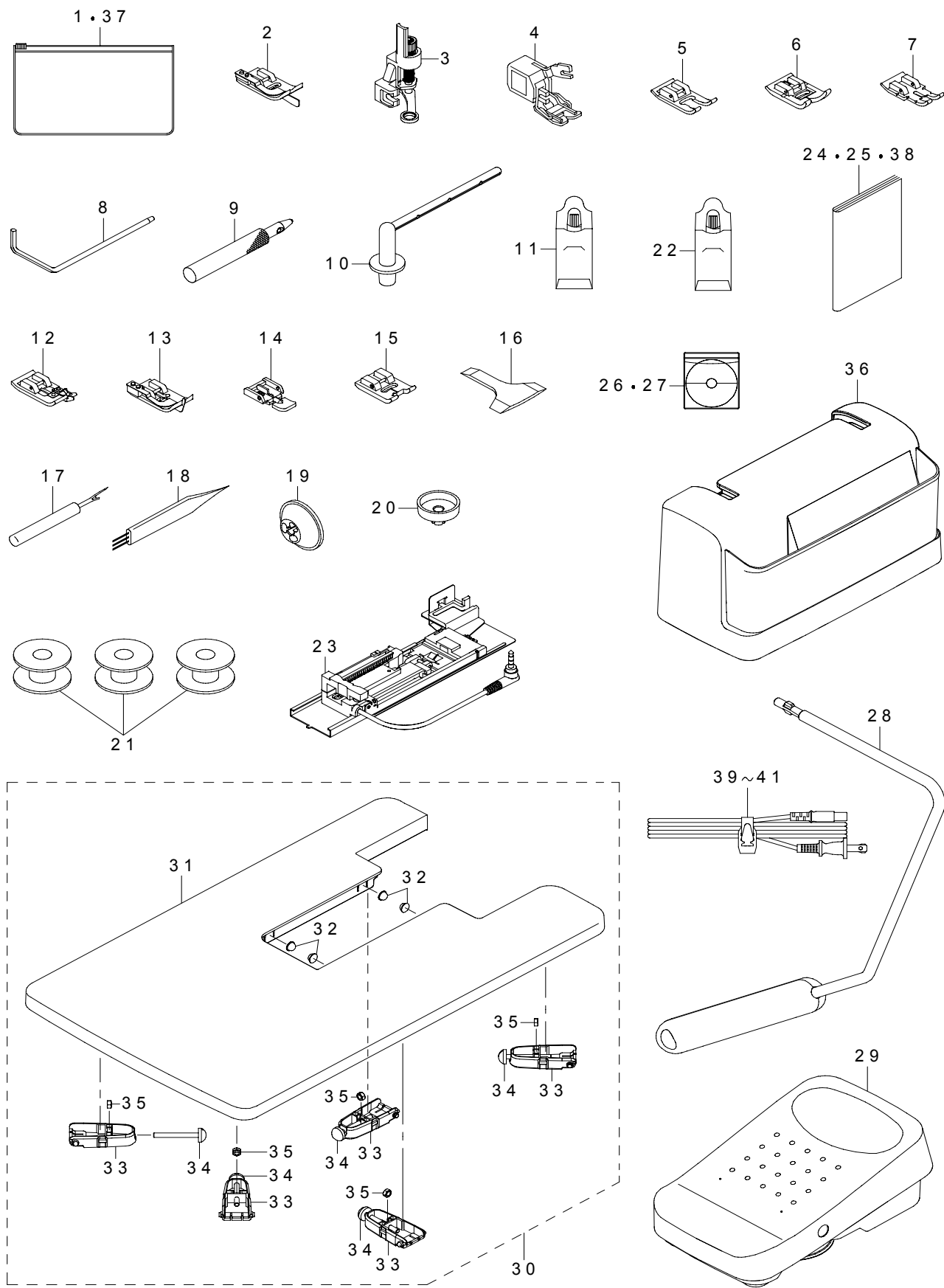
REF.NO	NOTE	PART NO	DESCRIPTION	Qty
1		400-84331	ASSY_KL_CONNECT_SHAFT	1
2		A3433-01S-Z00	STOPPER PIN	(1)
3		400-53426	KL_CLICK_SPRING	(1)
4		SM-4030301-SC	SCREW M3X0.5 L=3	(1)
5		400-53425	KNEE_LIFTER_CONNECT_SHAFT	(1)
6		SM-5051255-SN	SCREW	1
7		401-63860	KNEE_LIFTER_SPRING	1
8		400-53446	KNEE_LIFTER_WIRE_ASSY	1
9		400-53428	WIRE_TUBE HOLDER_L	1
10		401-63861	KL_SPRING_STUD	1
11		400-64567	WIRE_GUIDE_B	1
12		SM-5040855-SN	SCREW	1
13		400-55795	WIRE_TUBE HOLDER_U	1
14		SM-5040855-SN	SCREW	1
15		WP-0410516-RZ	WASHER	1
16		RE-0300000-K0	E-RING 3	1
17		401-63859	KNEE_LIFTER_LEVER	1

# 14. POWER SUPPLY & MAIN MOTOR COMPONENTS



REF.NO	NOTE	PART NO	DESCRIPTION	Qty
1		401-63884	ALL_ASSY_MAIN_MOTOR	1
2		401-63174	ASSY_MAIN_MOTOR	(1)
3		400-51275	MOTOR_BRACKET	(1)
4		RE-0400000-K0	E-RING 4	(1)
5		SM-8030612-TP	SET SCREW	(2)
6		400-57922	RUBBER_WASHER_SCREW	(2)
7		400-62143	MOTOR_SPACER	(1)
8		400-66024	SPACER_PLATE	(1)
9		400-55830	MOTOR_SHAFT_PULLEY	(1)
10		400-53472	MOTOR_SHAFT_PULLEY_FLANGE	(1)
11		WP-0520216-RZ	WASHER 5.2X8X0.13	(1)
12		SL-4051485-SE	SCREW M5 L=14	2
13		SM-5040855-SN	SCREW	3
14		A3811-550-000	CORD HOLDER	2
15	#01	400-79000	ALL_ASSY_POWER_SUPPLY	1
16	#02	401-64099	ALL_ASSY_POWER_SUPPLY_CE	1
17	#01	400-56541	ASSY_POWER_SW_UL	(1)
18	#02	401-50471	ASSY_POWER_SW_CE	(1)
19		400-53476	SWITCHING_POWER_SOURCE_COVER_LID	(1)
20		ST-5031051-SN	TAPPING SCREW	(3)
21		ST-5031051-SN	TAPPING SCREW	(2)
22		400-53474	INLET_COVER	(1)
23		400-58553	CONTROLLER_JACK_COVER	(1)
24		ST-5030851-SN	SCREW M3X8	(2)
25		400-85940	ASSY_CONT_SOCKET	(1)
26		400-53475	SWITCHING_POWER_SOURCE_COVER	(1)
27	#01	401-20064	ASSY_POWER_SUPPLY_UL	(1)
28	#02	401-63194	ASSY_POWER_SUPPLY_DX	(1)
29		SM-5041055-SN	SCREW M4X10	4
30		A4078-550-00B	BAND	8
31		400-57960	MOTOR_TIMING_BELT	1
32		400-56552	ASSY_POWER_SUPPLY_RELAY	1
		NOTE	#01....FOR UL #02....FOR CE	

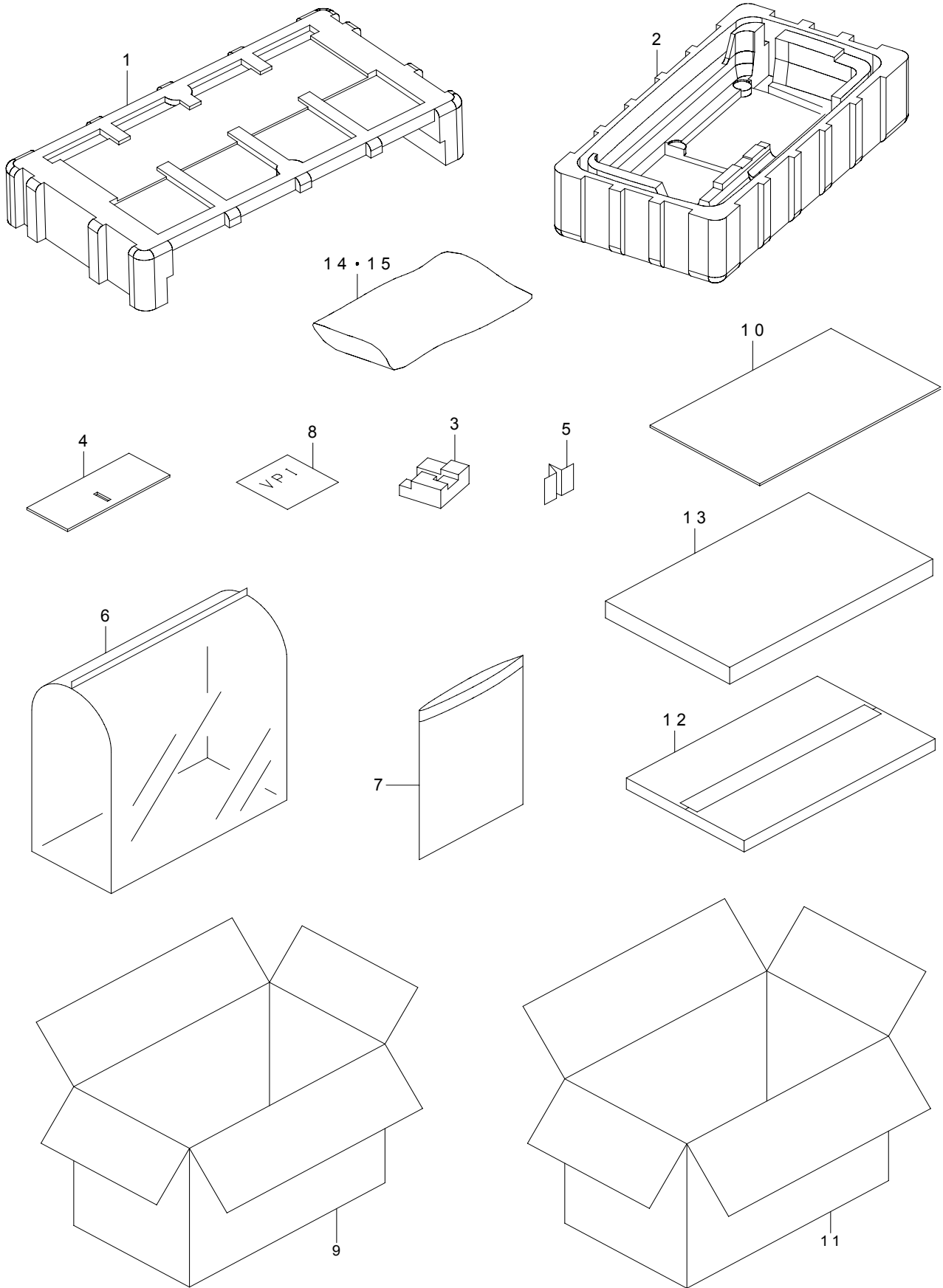
# 15. ACCESSORY PARTS COMPONENTS





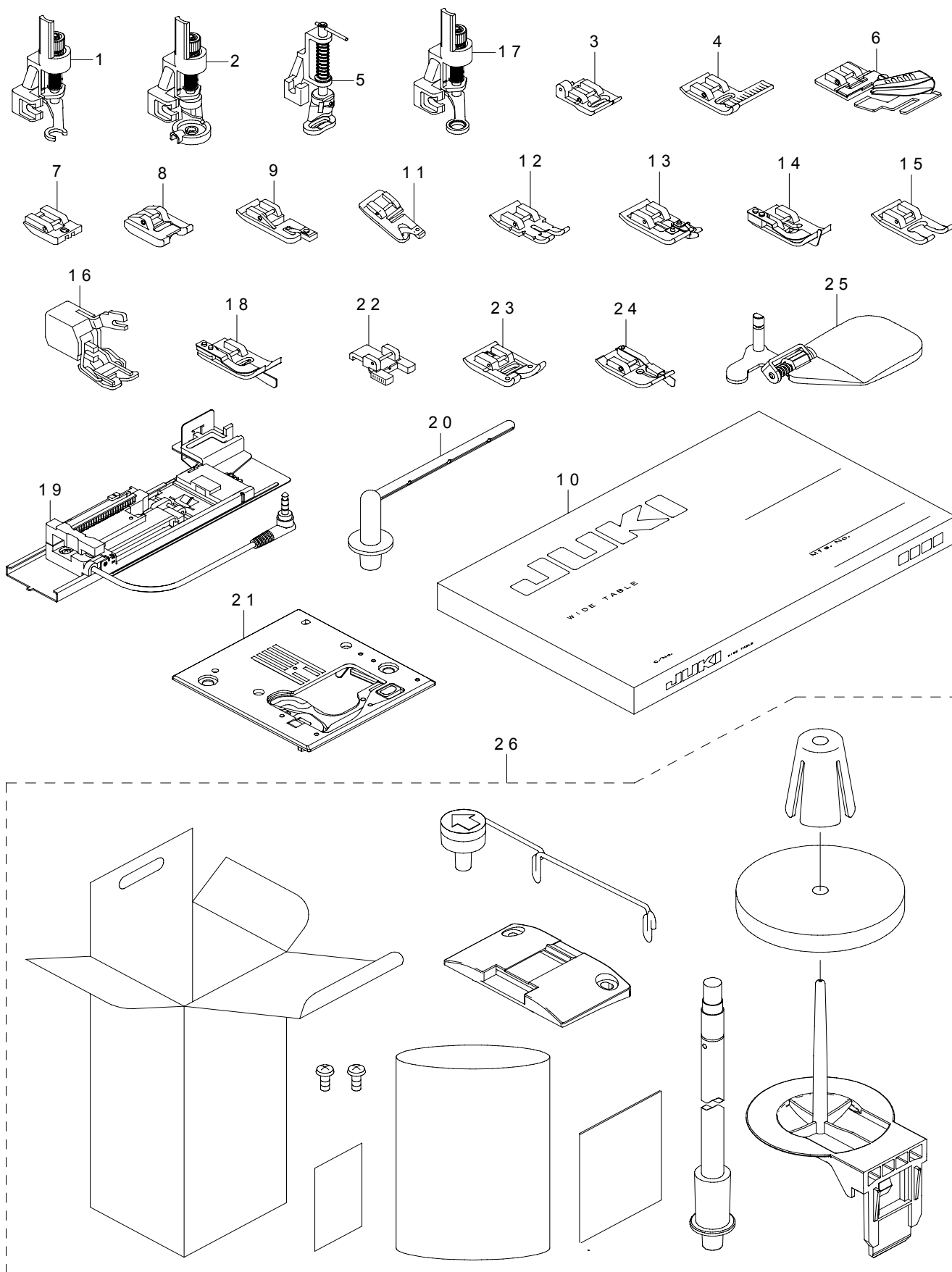
REF.NO	NOTE	PART NO	DESCRIPTION	Qty
1	#01	A9121-503-000-A	ACCESSORY BAG	1
2	#01	400-59126	ASSY_CONCEALED_SEAM_FOOT	1
3		400-58561	ASSY_QUILT_PRESSER_FOOT	1
4		400-57984	ASSY_UPPER_FEED_ATTACHMENT	1
5	#01	400-59124	ASSY_OPEN_TOE_FOOT	1
6	#01	A9201-01S-0A0-A	DECORATIVE STITCH FOOT	1
7		400-59122	ASSY_STRAIGHT_PACHWORK_FOOT	1
8		A9134-550-000	RULER	1
9	#01	A9103-880-000	EYELET PUNCH	1
10		400-58089	SUPPORT_SPOOL_PIN	1
11		400-83061	TWIN_NEEDLE_SET	1
12		401-10163	ASSY_OVERCASTING_FOOT	1
13		401-10164	ASSY_BLINDSTITCH_FOOT	1
14		A9133-010-0A0	ZIPPER FOOT ASM.	1
15		401-10165	TRANSPARENT_BUTTONHOLE_FOOT	1
16		A9110-700-000	SCREWDRIVER	1
17		A9131-990-000	SEAM RIPPER	1
18		A9137-956-000	BRUSH	1
19		A1150-980-000	SPOOL CAP	1
20		A1145-01S-Z00	SMALL SPOOL CAP	1
21		1141000000	BOBBIN	3
22		400-75804	NEEDLE_SET	1
23		400-57289	BH_PRESSER_FOOT_SET	1
24	#03	401-63700	INSTRUCTION_MANUAL_DX(ENG/SPA/FRA)	1
25	#06	401-63917	INSTRUCTION_MANUAL_DX_ENG	1
26	#06	401-63903	ASSY_INSTRUCTION_DVD_DX_SERIES_PAL	1
27	#03	401-63909	ASSY_INSTRUCTION_DVD_DX_SERIES_NTSC	1
28		400-70255	ASSY_KNEE_LIFTER	1
29		401-44123	FOOT_CONTROLLER_(FOR_ABROAD)_(ASM)	1
30	#01	400-68038	ASSY_WIDE_TABLE	1
31		400-59204	WIDE_TABLE	(1)
32		A9503-E50-000	TABLE NON-SLIP	(4)
33		400-70174	WIDE_TABLE_LEG	(5)
34		A9505-E50-000	SCREW	(5)
35		NM-6050002-SS	NUT M5	(5)
36		401-63616	ALL_ASSY_HARD_CASE_X_SERIES	1
37	#02	A9101-550-000	ACCESSORY BAG	1
38	#04	401-63704	INSTRUCTION_MANUAL_DX(ITA)	1
39	#03	A4421-01E-ZA0-A	ELECTRIC POWER CORD ASM.	1
40	#04	A4421-980-0AF	ELECTRIC POWER CORD	1
41	#05	400-71949	POWER_CORD_SET_(BS)_(ASM.)	1
		NOTE	#01....FOR HZL-DX7 #02....FOR HZL-DX5 #03....FOR UL #04....FOR CE #05....FOR BS #06....FOR CE,BS	

## 16. PACKING MATERIAL COMPONENTS



REF.NO	NOTE	PART NO	DESCRIPTION	Qty
1		400-78460	TOP_CUSHIONING	1
2		400-78461	BOTTOM_CUSHIONING	1
3		400-78462	TP_CUSHIONING	1
4		400-75778	ACCESSORY_TRAY_SPONGE	1
5		400-78479	THREAD_WAY_PLATE_PAPER	1
6		400-90758	MACHINE COVER	2
7		A9181-008-000	VINYL	1
8		J0233-500-A00	VPI PAPER	1
9		401-63629	COLOR_CARTON_CASE_DX_FOREIGN	1
10	#01	400-84369	WT_PAD	1
11	#03	401-63636	CARTON_CASE_PROTECTION_DX_FOREIGN	1
12	#02	400-79540	WIDE_TABLE_SPACER	1
13	#01	400-69617	WT_PACKING_CASE	1
14	#01	A9513-E50-000	VINYL BAG	1
15		A5101-008-X00	VINYL SHEET	1
		NOTE	#01....FOR HZL-DX7	
			#02....FOR HZL-DX5	
			#03....FOR CE,BS	

# 17. OPTIONAL ACCESSORY PARTS COMPONENTS



REF.NO	NOTE	PART NO	DESCRIPTION	Qty
1		400-80949	BP OPEN QUILTING FOOT	1
2		400-80950	BP FREE MOTION CORDING FOOT	1
3		400-80951	BP APPLIQUE FOOT	1
4		400-80952	BP STITCH GUIDE FOOT	1
5		400-80953	BP CLEAR QUILTING FOOT	1
6		400-80954	FOLDING PLATE A RIGHT	1
7		400-80955	BP INVISIBLE ZIPPER FOOT	1
8		400-80956	BP PEARL SEWING FOOT	1
9		400-80957	BP ZIG ZAG ROLLED HEMMING FOOT	1
10		400-78483	WIDE_TABLE_SET	1
11		400-80958	BP ROLLED HEMMING FOOT	1
12		400-80959	BP PACHWORK FOOT	1
13		400-80960	BP OVERCASTING FOOT	1
14		400-80961	BP BLINDSTITCH FOOT	1
15		400-80962	BP OPEN TOE FOOT	1
16		400-80963	BP EVEN FEED FOOT	1
17		400-80964	BP QUILTING FOOT	1
18		400-80965	BP EDGE STITCH FOOT	1
19		400-80966	BP BH PRESSER FOOT	1
20		400-80967	BP AUXILIARY SPOOL PIN	1
21		400-80968	BP STRAIGHT STITCH THROAT PLATE	1
22		400-80969	BP BUTTON SEWING FOOT	1
23		400-79312	BLISTER BAG ASM(DEC STTICH FOOT)	1
24		401-64071	BP_1/4_INCH_FOOT	1
25		401-64074	BP_MAGNIFIER	1
26		401-63897	SPOOL HOLDER SET	1

NUMERICAL INDEX OF PARTS

PART NO	PAGE	REF NO	PART NO	PAGE	REF NO	PART NO	PAGE	REF NO	PART NO	PAGE	REF NO
A1111-A85-000	6	12	CS-1000881-TP	8	4	SL-4030691-SC	20	34	SM-5040855-SN	18	14
A1114-010-000-A	6	9				SL-4030691-SC	20	50	SM-5040855-SN	18	36
A1119-010-000	6	6	HA-0032500-0B	24	16	SL-4030891-SC	4	29	SM-5040855-SN	18	44
A1138-335-000	6	24				SL-4030891-SC	12	12	SM-5040855-SN	20	43
A1138-335-000	18	42	J0233-500-A00	32	8	SL-4030891-SC	12	52	SM-5040855-SN	20	60
A1139-030-Z00	4	55				SL-4030891-SC	20	5	SM-5040855-SN	20	71
A1145-E50-000	4	43	MHA-100B1400	10	11	SL-4030891-SC	20	29	SM-5040855-SN	22	38
A1145-01S-Z00	30	20				SL-4031091-SC	12	28	SM-5040855-SN	22	51
A1146-E50-000	4	6	NM-6030002-SF	20	4	SL-4032081-SC	24	6	SM-5040855-SN	26	12
A1150-980-000	30	19	NM-6030002-SF	22	5	SL-4040691-SC	10	24	SM-5040855-SN	26	14
A1159-770-000	14	23	NM-6030002-SF	24	22	SL-4051485-SE	28	12	SM-5040855-SN	28	13
A1203-030-000	16	18	NM-6040002-SF	10	9	SL-5030531-SF	12	61	SM-5041055-SN	28	29
A1203-030-000	18	4	NM-6050002-SS	30	35	SL-5030531-SF	14	7	SM-5041455-SN	8	31
A1223-010-000	8	38				SL-5030531-SF	20	56	SM-5041455-SN	16	42
A1427-010-000-A	10	19	PH-0300182-C0	4	44	SL-6030692-TN	16	81	SM-5051255-SN	26	6
A1448-010-000	10	64	PS-0200082-KP	16	2	SL-6041692-TN	18	9	SM-8030312-TP	2	14
A1456-008-000-A	12	51	PS-0200082-KP	20	10	SM-1030601-SN	2	21	SM-8030312-TP	8	10
A1458-A85-000	10	35	PS-0200122-KP	16	5	SM-1040801-SN	12	39	SM-8030312-TP	8	14
A1458-A85-000	10	37	PS-0200122-KP	16	73	SM-4020201-SC	6	3	SM-8030312-TP	8	18
A1624-010-000	16	40	PS-0200182-KP	22	2	SM-4020301-SC	6	10	SM-8030312-TP	8	29
A1646-010-000	12	57	PS-0400222-KP	8	3	SM-4020401-SC	16	63	SM-8030312-TP	10	16
A1650-008-000-A	16	65				SM-4030301-SC	26	4	SM-8030312-TP	10	31
A1651-008-000	16	68	RC-0370411-KP	8	26	SM-5020301-SC	18	27	SM-8030312-TP	10	66
A1658-008-000	16	69	RE-0150000-K0	20	17	SM-5020301-SC	18	29	SM-8030312-TP	12	49
A1809-031-0A0	18	31	RE-0200000-K0	10	17	SM-5020301-SC	18	41	SM-8030312-TP	14	4
A1810-E60-000	18	2	RE-0200000-K0	20	41	SM-5020501-SC	6	13	SM-8030312-TP	16	58
A1830-E80-0B0	18	24	RE-0200000-K0	22	19	SM-5020855-SN	10	10	SM-8030312-TP	20	2
A1830-E80-0C0	18	23	RE-0200000-K0	22	25	SM-5020855-SN	24	18	SM-8030312-TP	20	48
A1830-031-0A0	18	25	RE-0200000-K0	22	35	SM-5030455-SF	12	6	SM-8030312-TP	20	52
A1831-031-000	18	28	RE-0300000-K0	10	23	SM-5030455-SF	12	47	SM-8030312-TP	24	23
A1832-008-000	18	26	RE-0300000-K0	10	48	SM-5030455-SF	14	5	SM-8030612-TP	16	11
A1833-E50-000	18	30	RE-0300000-K0	12	3	SM-5030455-SF	14	9	SM-8030612-TP	16	41
A1840-009-000	18	19	RE-0300000-K0	16	13	SM-5030455-SF	14	21	SM-8030612-TP	28	5
A1841-S56-000	18	20	RE-0300000-K0	20	22	SM-5030455-SF	20	7	SM-8040412-TP	10	8
A1843-030-000	18	21	RE-0300000-K0	20	26	SM-5030455-SF	20	46	SM-8040412-TP	10	20
A1844-030-000	18	22	RE-0300000-K0	20	73	SM-5030455-SF	22	20	SM-8040412-TP	16	19
A2110-700-000	12	35	RE-0300000-K0	22	45	SM-5030455-SF	22	37	SM-8040412-TP	16	24
A2110-700-000	16	66	RE-0300000-K0	26	16	SM-5030455-SF	24	17	SM-8040412-TP	16	30
A2110-700-000	22	6	RE-0400000-K0	2	4	SM-5030655-SN	6	28	SM-8040412-TP	16	75
A3171-T50-000	22	15	RE-0400000-K0	8	34	SM-5030655-SN	10	12	SM-8040412-TP	18	5
A3172-T50-000	22	16	RE-0400000-K0	12	9	SM-5030655-SN	10	70	SM-8040412-TP	18	7
A3173-E50-0A0	22	14	RE-0400000-K0	12	15	SM-5030655-SN	12	34	SM-8040412-TP	18	11
A3173-E50-0B0	22	13	RE-0400000-K0	12	37	SM-5030655-SN	12	56	SM-8040412-TP	18	34
A3175-T70-000	22	17	RE-0400000-K0	12	54	SM-5030655-SN	16	12	SM-8050512-TP	8	5
A3205-555-A00	2	12	RE-0400000-K0	12	59	SM-5030655-SN	16	34	SM-8050512-TP	8	30
A3205-555-A00	4	47	RE-0400000-K0	14	11	SM-5030655-SN	16	36	SM-8050512-TP	8	37
A3205-555-A00	16	77	RE-0400000-K0	16	31	SM-5030655-SN	18	35	SM-8050602-TP	12	20
A3233-731-000	4	52	RE-0400000-K0	20	14	SM-5030655-SN	20	36	ST-5030851-SN	2	29
A3234-550-000	4	50	RE-0400000-K0	20	20	SM-5030655-SN	20	63	ST-5030851-SN	2	37
A3235-030-Z00-A	4	51	RE-0400000-K0	20	32	SM-5030655-SN	22	27	ST-5030851-SN	10	50
A3236-880-000	4	53	RE-0400000-K0	20	54	SM-5030655-SN	22	29	ST-5030851-SN	10	52
A3237-880-000	4	54	RE-0400000-K0	20	58	SM-5030655-SN	24	8	ST-5030851-SN	10	58
A3433-01S-Z00	26	2	RE-0400000-K0	20	68	SM-5031001-SE	22	43	ST-5030851-SN	22	50
A3811-550-000	4	39	RE-0400000-K0	24	21	SM-5031001-SE	22	48	ST-5030851-SN	22	59
A3811-550-000	28	14	RE-0400000-K0	28	4	SM-5040655-SN	6	29	ST-5030851-SN	28	24
A3910-634-000-B	22	3	RE-0500000-K0	14	17	SM-5040655-SN	12	65	ST-5031051-SN	4	25
A4078-550-00B	28	30	RE-0500000-K0	16	74	SM-5040655-SN	14	19	ST-5031051-SN	4	45
A4421-01E-ZA0-A	30	39	RE-0500000-K0	16	78	SM5040855	16	47	ST-5031051-SN	4	56
A4421-980-0AF	30	40	RE-0500000-K0	20	69	SM-5040855-SN	2	6	ST-5031051-SN	28	20
A5101-008-X00	32	15	RE-0600000-K0	8	25	SM-5040855-SN	2	15	ST-5031051-SN	28	21
A9101-550-000	30	37	RE-0700000-K0	16	17	SM-5040855-SN	2	20	ST-5031251-SF	2	31
A9103-880-000	30	9	RE-0700000-K0	18	3	SM-5040855-SN	2	23	ST-5031251-SF	4	4
A9110-700-000	30	16	RE-0800000-K0	8	11	SM-5040855-SN	2	24	ST-5041051-SN	24	1
A9121-503-000-A	30	1	RE-0800000-K0	8	15	SM-5040855-SN	2	28			
A9131-990-000	30	17	RE-0800000-K0	16	48	SM-5040855-SN	4	32	WP-0210516-SD	16	64
A9133-010-0A0	30	14	RE400000K0	16	55	SM-5040855-SN	4	40	WP-0260116-RZ	22	18
A9134-550-000	30	8	RO-1331701-00	8	7	SM-5040855-SN	4	59	WP-0310516-RZ	20	42
A9137-956-000	30	18				SM-5040855-SN	8	35	WP-0320501-SC	22	36
A9181-008-000	32	7	SL-4020491-SC	24	11	SM-5040855-SN	10	28	WP-0330816-SF	10	26
A9201-01S-0A0-A	30	6	SL-4030591-SC	22	57	SM-5040855-SN	12	10	WP-0330816-SF	12	4
A9503-E50-000	30	32	SL-4030691-SC	4	36	SM-5040855-SN	12	38	WP-0330816-SF	22	49
A9505-E50-000	30	34	SL-4030691-SC	4	58	SM-5040855-SN	12	45	WP-0410516-RZ	16	14
A9513-E50-000	32	14	SL-4030691-SC	12	31	SM-5040855-SN	14	15	WP-0410516-RZ	20	15
			SL-4030691-SC	12	41	SM-5040855-SN	14	25	WP-0410516-RZ	20	23
CM-3002000-01	22	52	SL-4030691-SC	20	28	SM-5040855-SN	16	44	WP-0410516-RZ	26	15

NUMERICAL INDEX OF PARTS

PART NO	PAGE	REF NO	PART NO	PAGE	REF NO	PART NO	PAGE	REF NO	PART NO	PAGE	REF NO
WP-0430801-SC	22	40	400-55384	22	33	400-57335	16	52	400-71973	16	9
WP-0520216-RZ	28	11	400-55387	12	2	400-57355	8	28	400-72395	2	11
WP-0520516-RZ	12	60	400-55391	12	1	400-57384	8	36	400-75778	32	4
WP-0520516-RZ	16	23	400-55396	22	53	400-57397	4	57	400-75804	30	22
WP-0520516-RZ	16	29	400-55397	22	54	400-57922	2	27	400-76145	24	9
WP-0520516-RZ	20	59	400-55400	22	41	400-57922	28	6	400-76146	24	10
WP-0620516-RZ	14	13	400-55401	4	34	400-57923	12	26	400-76391	12	11
WP-0620516-RZ	18	32	400-55402	12	13	400-57960	28	31	400-78460	32	1
WP-0620516-RZ	18	45	400-55403	12	14	400-57974	22	28	400-78461	32	2
WP-0621016-SD	16	80	400-55404	12	17	400-57983	8	12	400-78462	32	3
WP-1021016-SD	16	50	400-55405	12	18	400-57984	30	4	400-78479	32	5
WZ-0320290-UZ	10	15	400-55406	12	19	400-57990	2	26	400-78483	34	10
WZ-1052010-KP	16	49	400-55409	12	16	400-57991	14	24	400-78681	20	40
			400-55412	12	21	400-58088	4	42	400-78685	20	74
1141000000	18	43	400-55420	22	34	400-58089	30	10	400-78686	20	72
1141000000	30	21	400-55426	12	32	400-58407	22	30	400-78690	20	75
174803004000	22	44	400-55433	12	36	400-58553	28	23	400-79000	28	15
174804008000	16	25	4005549	16	1	400-58561	30	3	400-79178	10	51
			400-55499	16	3	400-58626	18	17	400-79312	34	23
21112002000	18	33	400-55501	16	32	400-59122	30	7	400-79540	32	12
			400-55502	16	27	400-59124	30	5	400-79605	12	40
400-51255	10	46	400-55504	16	4	400-59126	30	2	400-79606	12	43
400-51275	28	3	400-55505	16	15	400-59168	4	16	400-80420	18	16
400-53425	26	5	400-55507	16	22	400-59204	30	31	400-80949	34	1
400-53426	26	3	400-55513	16	20	400-59209	2	35	400-80950	34	2
400-53428	26	9	400-55517	16	39	400-59215	2	25	400-80951	34	3
400-53446	26	8	400-55519	16	46	400-59240	4	41	400-80952	34	4
400-53454	18	38	400-55520	16	45	400-59244	4	60	400-80953	34	5
400-53456	18	13	400-55521	16	79	400-59245	4	35	400-80954	34	6
400-53469	8	9	400-55522	16	53	400-59249	2	2	400-80955	34	7
400-53469	8	13	400-55524	16	51	400-60527	12	33	400-80956	34	8
400-53469	8	17	400-55526	16	70	400-60607	16	37	400-80957	34	9
400-53472	28	10	400-55527	16	71	400-60608	18	18	400-80958	34	11
400-53474	28	22	400-55528	16	72	400-61796	24	12	400-80959	34	12
400-53475	28	26	400-55530	16	57	400-62034	4	49	400-80960	34	13
400-53476	28	19	400-55531	16	60	400-62044	22	22	400-80961	34	14
400-53479	8	32	400-55532	16	61	400-62047	22	23	400-80962	34	15
400-53486	8	16	400-55533	16	62	400-62048	22	24	400-80963	34	16
400-53493	8	6	400-55539	16	67	400-62143	28	7	400-80964	34	17
400-53495	18	8	400-55561	22	39	400-62144	12	27	400-80965	34	18
400-53497	10	13	400-55676	12	55	400-62407	10	27	400-80966	34	19
400-53498	10	14	400-55795	26	13	400-62500	2	5	400-80967	34	20
400-53499	12	50	400-55796	20	70	400-62518	8	27	400-80968	34	21
400-53505	12	53	400-55811	10	38	400-64224	12	23	400-80969	34	22
400-53516	10	21	400-55812	10	39	400-64567	26	11	400-81293	18	15
400-53517	10	22	400-55812	12	63	400-64572	4	48	400-83061	30	11
400-53520	22	1	400-55813	10	40	400-64573	22	21	400-84023	24	20
400-53525	22	7	400-55819	10	65	400-64703	12	25	400-84331	26	1
400-53526	22	10	400-55821	10	53	400-64704	22	31	400-84369	32	10
400-53528	22	26	400-55822	10	55	400-64997	18	37	400-84595	4	26
400-53532	22	12	400-55823	10	56	400-65563	2	7	400-85940	28	25
400-53581	20	6	400-55824	10	57	400-65631	6	11	400-90758	32	6
400-53584	20	53	400-55825	8	8	400-65718	20	3	400-91946	4	20
400-53585	20	51	400-55826	18	10	400-65720	24	15	400-97677	24	13
400-53586	20	9	400-55827	10	41	400-66024	28	8	400-97679	24	24
400-53587	20	11	400-55828	10	45	400-66124	22	4	400-97680	24	7
400-53598	20	13	400-55830	28	9	400-66193	22	47	400-98262	10	34
400-53602	20	16	400-56010	16	38	400-66195	22	46	400-98263	10	47
400-53603	20	19	400-56529	12	24	400-66691	16	54	400-98264	10	42
400-53604	20	30	400-56541	28	17	400-67261	14	3	400-98265	10	54
400-53610	20	18	400-56552	28	32	400-67261	20	47	400-98266	10	59
400-53611	20	24	400-56554	2	1	400-67671	20	49	400-98267	10	60
400-53612	20	21	400-56558	16	56	400-68038	30	30	400-98268	10	61
400-53616	20	25	400-56861	8	33	400-69617	32	13	400-98269	10	62
400-53628	20	67	400-56945	10	32	400-70174	30	33	400-99886	18	6
400-53632	20	65	400-56970	10	18	400-70239	2	13	401-07895	2	3
400-53636	20	66	400-56975	18	39	400-70255	30	28	401-07901	8	1
400-53637	20	64	400-56976	18	40	400-70284	4	33	401-07914	16	10
400-53641	20	57	400-57150	6	4	400-70286	22	42	401-07915	16	16
400-53677	24	5	400-57187	8	20	400-70288	12	48	401-07916	16	21
400-53683	2	33	400-57188	8	21	400-71949	30	41	401-07917	16	26
400-53685	2	22	400-57189	8	22	400-71969	16	35	401-07918	16	28
400-55371	22	8	400-57190	8	23	400-71970	16	6	401-07919	16	33
400-55376	22	58	400-57289	30	23	400-71971	16	7	401-07921	16	43
400-55383	22	32	400-57334	16	76	400-71972	16	8	401-07924	16	59

NUMERICAL INDEX OF PARTS

PART NO	PAGE	REF NO	PART NO	PAGE	REF NO	PART NO	PAGE	REF NO	PART NO	PAGE	REF NO
401-07929	18	1	401-63132	20	45	401-64099	28	16			
401-08609	10	43	401-63133	14	2	401-64220	18	12			
401-08610	10	44	401-63152	4	2	401-64579	6	21			
401-08611	10	49	401-63159	12	66	401-64580	6	20			
401-08612	10	36	401-63170	4	17	401-64851	10	1			
401-10163	30	12	401-63171	4	21	401-64853	10	3			
401-10164	30	13	401-63172	4	22	401-64903	8	24			
401-10165	30	15	401-63174	28	2	401-66174	2	38			
401-12878	22	9	401-63183	6	27	401-66324	6	30			
401-16031	24	14	401-63190	4	23	41207008000	18	46			
401-20064	28	27	401-63191	12	42						
401-21860	10	4	401-63192	12	29						
401-35933	4	15	401-63194	28	28						
401-35998	20	37	401-63195	20	55						
401-36001	20	1	401-63198	14	6						
401-36004	20	8	401-63202	4	37						
401-36005	20	12	401-63203	4	38						
401-36007	20	27	401-63616	30	36						
401-36008	20	33	401-63619	8	2						
401-36009	20	35	401-63629	32	9						
401-37570	4	13	401-63636	32	11						
401-44123	30	29	401-63691	2	30						
401-45842	20	62	401-63692	2	39						
401-50471	28	18	401-63693	2	40						
401-52349	2	16	401-63698	6	1						
401-60143	6	8	401-63699	10	5						
401-60145	20	39	401-63700	30	24						
401-60146	2	8	401-63704	30	38						
401-60146	6	2	401-63748	6	23						
401-60147	2	10	401-63751	6	19						
401-60147	4	46	401-63755	6	17						
401-60147	6	5	401-63756	6	22						
401-60147	20	38	401-63757	6	18						
401-60147	24	3	401-63758	6	15						
401-60192	20	31	401-63759	6	16						
401-60743	10	33	401-63760	10	6						
401-61187	22	55	401-63761	10	7						
401-61206	10	30	401-63762	10	67						
401-61989	22	11	401-63763	10	68						
401-62294	4	1	401-63764	10	2						
401-62295	4	30	401-63778	10	69						
401-62299	2	9	401-63779	10	63						
401-62302	22	56	401-63780	12	44						
401-62305	4	7	401-63782	12	58						
401-62308	4	8	401-63784	12	5						
401-62311	4	11	401-63785	12	7						
401-62314	4	9	401-63787	12	8						
401-62315	4	10	401-63788	12	22						
401-62316	4	12	401-63790	12	62						
401-62317	4	5	401-63792	12	64						
401-62318	4	18	401-63795	20	44						
401-62321	4	19	401-63797	20	61						
401-62324	4	3	401-63854	22	60						
401-62325	4	24	401-63859	26	17						
401-62326	10	25	401-63860	26	7						
401-62327	10	29	401-63861	26	10						
401-62328	4	14	401-63871	14	1						
401-62329	12	30	401-63874	14	8						
401-62332	24	2	401-63875	14	10						
401-62333	24	19	401-63876	14	12						
401-62335	24	4	401-63877	14	14						
401-62336	2	32	401-63880	14	16						
401-62337	2	34	401-63881	14	18						
401-62339	2	36	401-63882	14	20						
401-62341	2	17	401-63883	14	22						
401-62342	2	19	401-63884	28	1						
401-62347	4	27	401-63885	6	25						
401-62349	4	28	401-63886	6	26						
401-62363	4	61	401-63897	34	26						
401-62365	4	62	401-63903	30	26						
401-62367	2	18	401-63906	8	19						
401-62369	4	31	401-63909	30	27						
401-62645	6	14	401-63917	30	25						
401-62912	6	7	401-64071	34	24						
401-63131	12	46	401-64074	34	25						









## JUKI CORPORATION

HOUSEHOLD SEWING MACHINERY BUSINESS UNIT  
2-11-1, TSURUMAKI, TAMA-SHI,  
TOKYO, 206-8551, JAPAN

PHONE:(81)42-357-2341  
FAX:(81)42-357-2380

Copyright© 2015 JUKI CORP.  
All rights reserved throughout the world.

2015/7