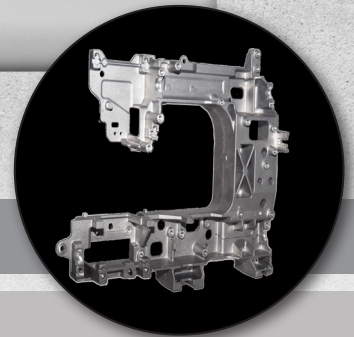


FS60X/FS80X

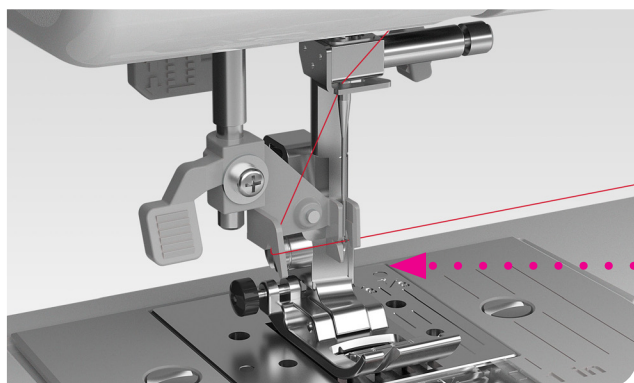
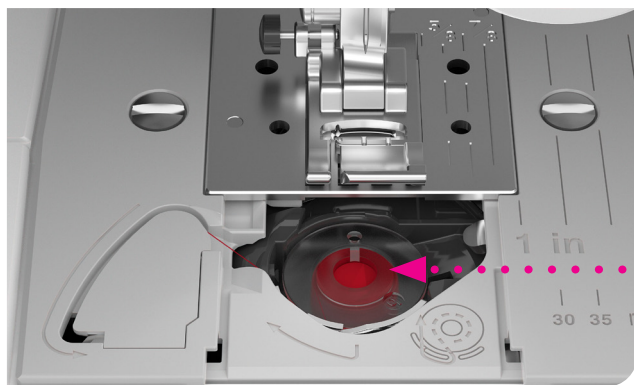
# EXTRA TOUGH

Computerised  
Sewing Machine



Heavy duty metal frame for stronger sewing

Fixed needle bar for stable fabric penetration



## Key Features

- 60 built-in sewing stitches
- 7 buttonholes
- Computerised for precision stitching
- Max 750spm adjustable speed control
- Large workspace
- Heavy duty metal frame for improved durability, reduced vibration, and more accurate needle positioning
- Fixed needle bar for stable fabric penetration

Quick Set Bobbin

Needle Threader

Features at a glance	FS60X	FS80X
Mechanical/Computerised	Computerised	Computerised
Work Space to the right of the needle (W x H)	158 x 99mm (6.2 x 3.99")	158 x 99mm (6.2 x 3.99")
Number of stitches	60	80
LCD screen	Yes	Yes
Number of buttonholes	7	8
Maximum sew speed	750	750
Other features	Basic needle threader, 6 feed dogs, 7mm stitch width	Basic needle threader, 6 feed dogs, 7mm stitch width
Twin needle	No	Yes
Organ needle #14 included	No	Yes
Extra spool pin	No	Yes
Eyelet punch	No	Yes
L-shaped Screwdriver	Yes	Yes
Dust cover	Yes	Yes
Wide table	Optional	Optional
Operations manual/instructions	30 page operations manual and online instructions	30 page operations manual and online instructions
Finger guard	No	Yes
Non-stick foot	No	Yes

Contact:

Brother International (NZ) Ltd  
27 Matarawa Place  
Tauriko, Tauranga 3171

**brother.co.nz | 0800 329 111**



Brother  
Earth

Working with you for a better environment  
[www.brotherearth.com](http://www.brotherearth.com)

**brother**  
at your side