

# 目 录

## CONTENTS

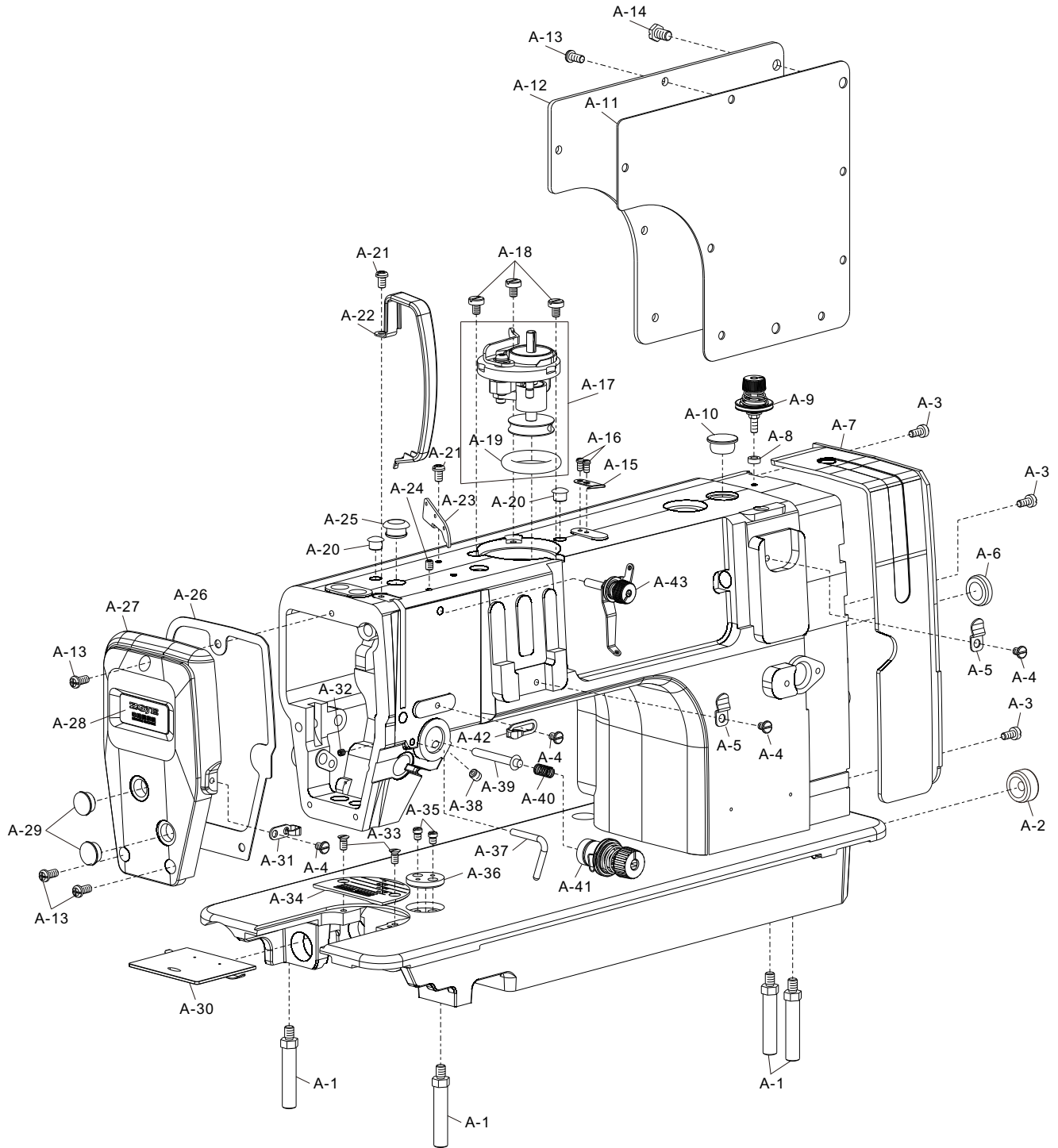
### 零件样本 Parts Book

<b>A</b>	机壳分组件 Machine Frame & Miscellaneous Cover Components	1
<b>B</b>	上轴、挑线分组件 Main Shaft & Thread Take-up Cover Components	3
<b>C</b>	抬压脚分组件 Hang Lifter & Tension Release Components	7
<b>D</b>	勾线分组件 Hook Of Driving Shaft Components	9
<b>E</b>	送料分组件 Feed Mechanism Components	11
<b>F</b>	送料调节分组件 Feed Regulating Components	15
<b>G</b>	剪线分组件 Thread trimmer Components	17
<b>H</b>	电控分组件 Drive-by-wire Components	19
<b>I</b>	润滑分组件 Lubrication Components	21
<b>J</b>	油盘、膝抬压脚分组件 Presser Foot Components Of Oil Plate Knee Lift	23
<b>K</b>	过线架分组件 Components Of Thread-running Stand	25
<b>L</b>	附件 Auxiliaries	27

# A

## 机壳分组件

### Machine Frame & Miscellaneous Cover Components



## A

## 机壳分组件

## Machine Frame &amp; Miscellaneous Cover Components

序号 Ref. No.	件号 Part No.	名称	Name of part	数量 QTY	备注 Remark
A-1	10002577	底板支柱	Bed screw stud	4	
A-2	10008941	橡胶塞	Rubber plug	1	
A-3	10010066	SM11/64"×40螺钉	Screw SM11/64"×40	3	
A-4	10008973	SM11/64"×40螺钉	Screw SM11/64"×40	4	
A-5	10062047	滑扣簧	Slide buckle	2	
A-6	10008975	橡胶塞	Rubber plug	1	
A-7	10063822	塑料标识板	Plastic plate	1	
A-8	10062565	绕线夹线器垫圈	Washer	1	
A-9	10062049	绕线夹线器组件	Bobbin thread tension ASM	1	
A-10	10009576	橡胶塞	Rubber plug	1	
A-11	10062030	后窗板垫	Side plate gasket	1	
A-12	20024052	后窗板	Side plate	1	
A-13	10008972	SM3/16"×28螺钉	Screw SM3/16"×28	10	
A-14	10062046	安装接头螺钉	Screw	2	
A-15	10011149	绕线切刀	Thread cutter	1	
A-16	10050423	SM9/64"×40螺钉	Screw SM9/64"×40	2	
A-17	10031086	绕线器	Bobbin wider ASM.	1	
A-18	10004380	SM3/16"×32螺钉	Screw SM3/16"×32	3	
A-19	10008773	橡胶轮	Rubber ring	1	
A-20	10008943	橡胶塞	Rubber ring	2	
A-21	10008934	SM3/16"×28螺钉	Screw SM3/16"×28	2	
A-22	10014082	挑线杆护罩	Thread take-up lever cover	1	
A-23	10052992	过线板	Thread tension guide	1	
A-24	10041529	SM3/16"×28螺钉	Screw SM3/16"×28	1	
A-25	10008942	橡胶塞	Rubber ring	1	
A-26	10062031	面板垫	Face plate gasket	1	
A-27	20024053	面板	Face plate	1	
A-28	10062054	面板装饰牌	Decorative board	1	
A-29	10008977	橡胶塞	Rubber ring	2	
A-30	10013706	推板部件	Push plate ASM.	1	
A-31	10008937	左线钩	Arm thread guide left	1	
A-32	10009074	M4螺钉	Screw M4	1	
A-33	10009005	SM11/64"×40螺钉	Screw SM11/64"×40	2	
A-34	10052464	针板组件	Needle plate	1	
A-34	10014459	针板组件	Needle plate	1	-5
A-34	10052350	针板组件	Needle plate	1	S7/H
A-35	10004374	SM11/64"×40螺钉	Screw SM11/64"×40	2	
A-36	10004373	限位挡片	Ruler plate	1	
A-37	10039823	缓线钩	Presser bar thread guide	1	
A-38	10006264	SM15/64"×28螺钉	Screw SM15/64"×28	1	
A-39	10062374	松线辅钉	Tension release supporting pin	1	
A-40	10050348	弹簧	Spring	1	
A-41	10062050	夹线器部件	Thread take-up device	1	
A-42	10008940	右线钩	Arm thread guide right	1	
A-43	10062051	上夹线器部件	Top thread tension ASM	1	

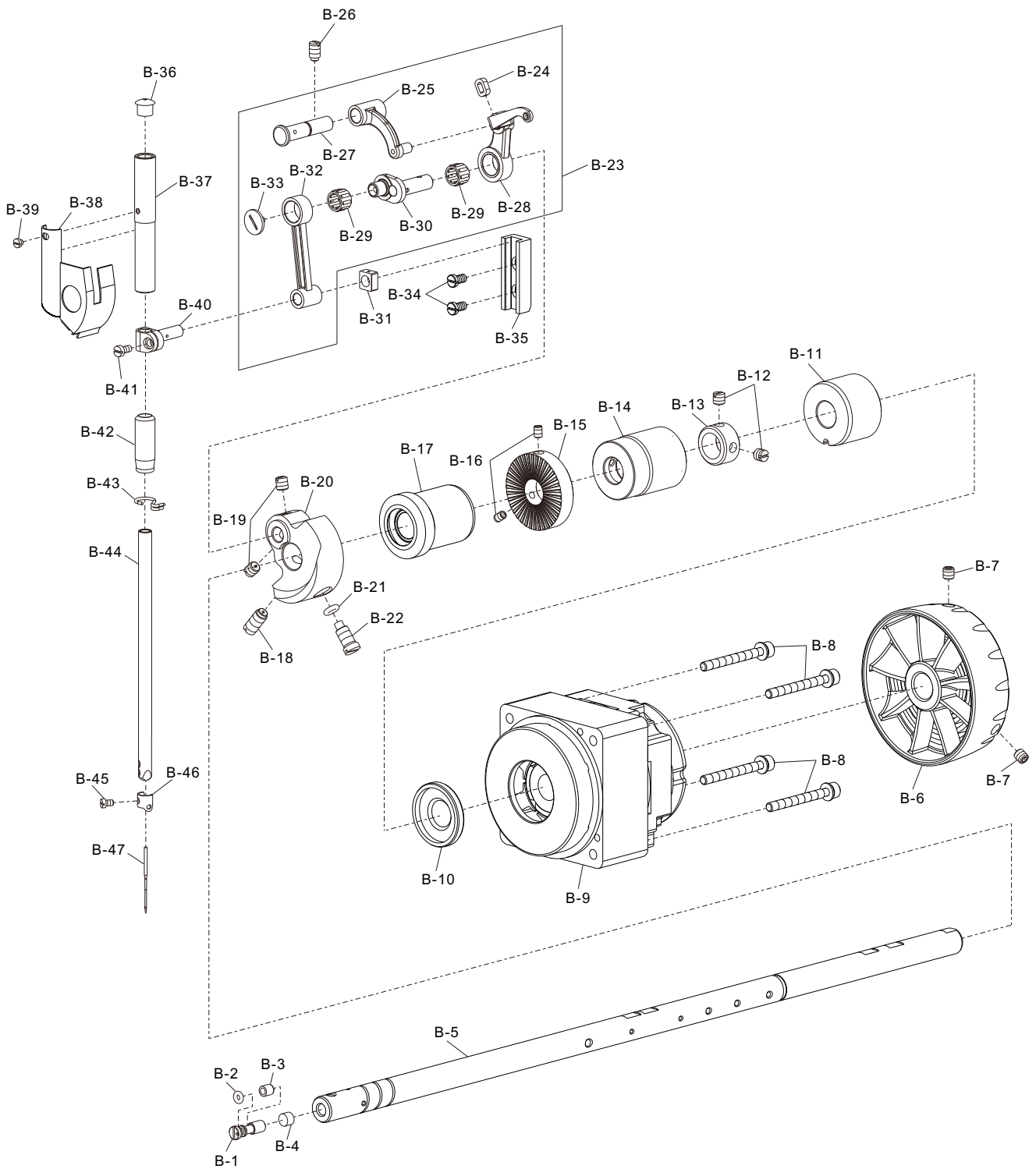
“\*” 具体内容需向客服咨询

“\*” Specific content need to consult customer service

# B

## 上轴、挑线分组件

## Main Shaft & Thread Take-up Cover Components



# B

## 上轴、挑线分组件 Main Shaft & Thread Take-up Cover Components

序号 Ref. No.	件号 Part No.	名称	Name of part	数量 QTY	备注 Remark
B-1	10010504	油量调节销	Adjusting pin	1	
B-2	10010538	6.46×1.78 O形圈	O-ring 6.46×1.78	1	
B-3	10010540	油量调节销套	Sleeve of adjusting pin	1	
B-4	10010541	毛毡	Roler felt	1	
B-5	10062382	上轴	Main shaft	1	
B-6	20023713	上轮	Head wheel	1	
B-7	10011232	M6×6螺钉	Screw M6×6	2	
B-8	10059025	M5×35螺钉组件	Screw M5 ASM.	4	
B-9	10058054	分体电机组件	Motor ASM.	1	
B-10	10058049	油封	Oil seal	1	
B-11	10056893	上轴后轴套	Shaft sleeve	1	
B-12	10005020	SM1/4"×40螺钉	Screw SM1/4"×40	2	
B-13	10010542	挡圈	Thrust collar	1	
B-14	10007239	上轴中轴套	Shaft sleeve	1	
B-15	10004472	绕线主动轮	Driving wheel	1	
B-16	10012062	SM11/64"×40螺钉	Screw SM11/64"×40	2	
B-17	10055615	上轴前轴套	Shaft sleeve	1	
B-18	10010082	SM9/32"×28螺钉	Screw SM9/32"×28	1	
B-19	10010065	SM1/4"×40螺钉	Screw SM1/4"×40	2	
B-20	10012203	针杆曲柄	Crank	1	
B-20	10012858	针杆曲柄	Crank	1	-5/H
B-21	10010534	9.2×2.4 O形圈	O-ring 9.2×2.4	1	
B-22	10010545	针杆曲柄定位螺钉	Screw	1	
B-23	20013230	挑线杆组件	Thread take-up lever ASM.	1	
B-23	20017446	挑线杆组件	Thread take-up lever ASM.	1	S7
B-23	20014717	挑线杆组件	Thread take-up lever ASM.	1	-5
B-23	20016366	挑线杆组件	Thread take-up lever ASM.	1	H
B-24	10010539	挑线杆防油圈	Oil resistant cover	1	
B-25	10010535	挑线连杆	Connecting rod	1	
B-25	10005936	挑线连杆	Connecting rod	1	H
B-26	10010083	SM15/64"×28螺钉	Screw SM15/64"×28	1	
B-27	20019236	挑线连杆销组件	Pin ASM.	1	
B-28	10038474	挑线杆	Thread take-up lever	1	
B-28	10004158	挑线杆	Thread take-up lever	1	S7
B-28	10005939	挑线杆	Thread take-up lever	1	H
B-29	10014107	K8×12×7.8滚针轴承	Needle bearing K8×12×7.8	2	
B-30	10004144	挑线曲柄部件	Crank ASM.	1	
B-30	10005937	挑线曲柄部件	Crank ASM.	1	-5/H
B-31	10053559	针杆连接柱滑块	Sliding block	1	
B-32	10010592	针杆连杆	Connecting rod	1	
B-33	10010537	挑线曲柄左旋螺钉	Screw	1	
B-34	10043360	滑块导轨螺钉	Screw	1	
B-35	10053558	滑块导轨	Slide guide	1	
B-36	10010587	橡胶塞	Rubber plug	1	
B-37	10011063	针杆上轴套	Shaft sleeve	1	
B-38	10062045	面部防油板部件	ARM oil shield ASM.	1	
B-39	10005558	SM1/8"×44螺钉	Screw SM1/8"×44	1	

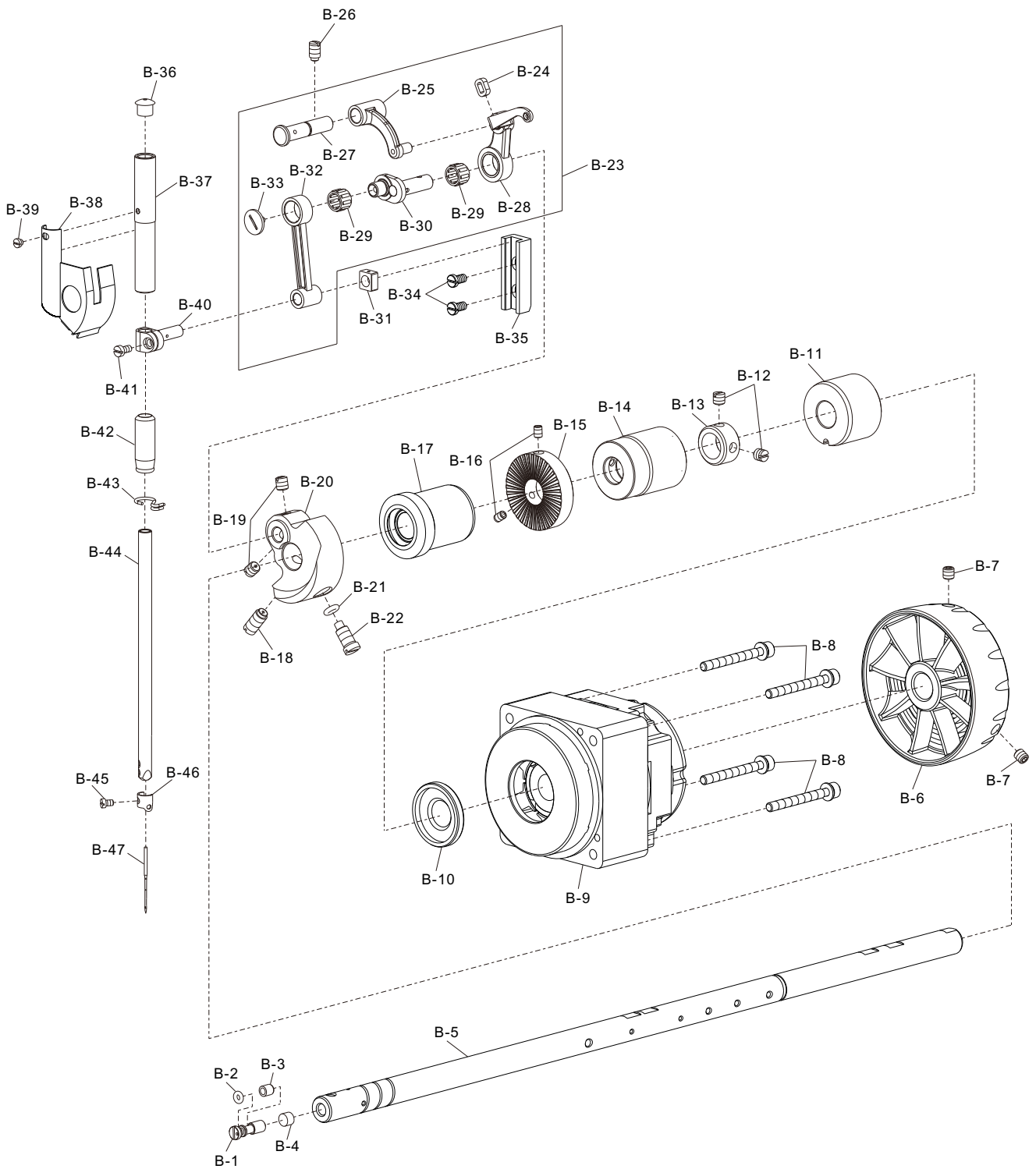
“\*” 具体内容需向客服咨询

“\*” Specific content need to consult customer service

# B

## 上轴、挑线分组件

## Main Shaft & Thread Take-up Cover Components

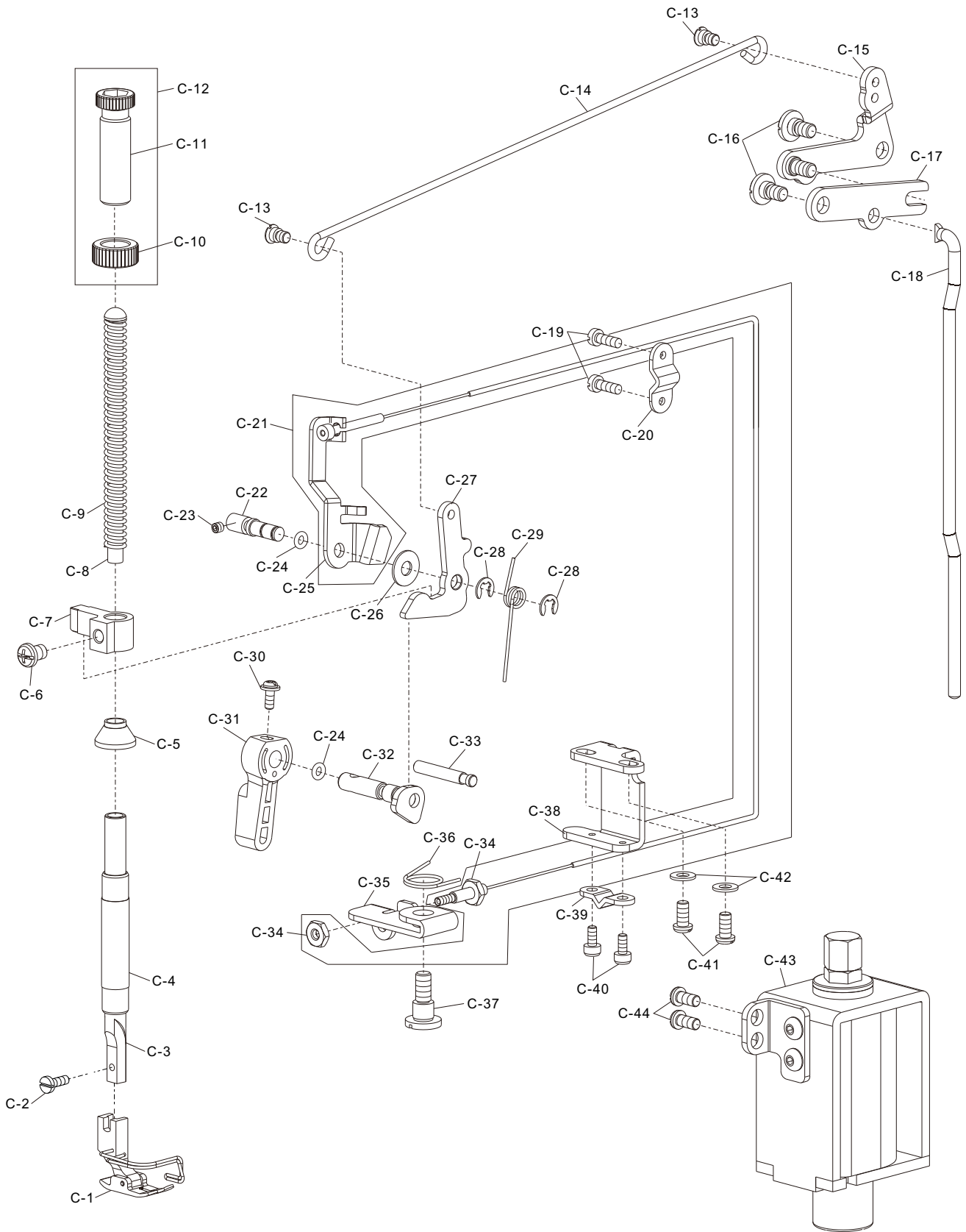






抬压脚分组件

Hang Lifter & Tension Release Components







## 抬压脚分组件

## Hang Lifter & Tension Release Components

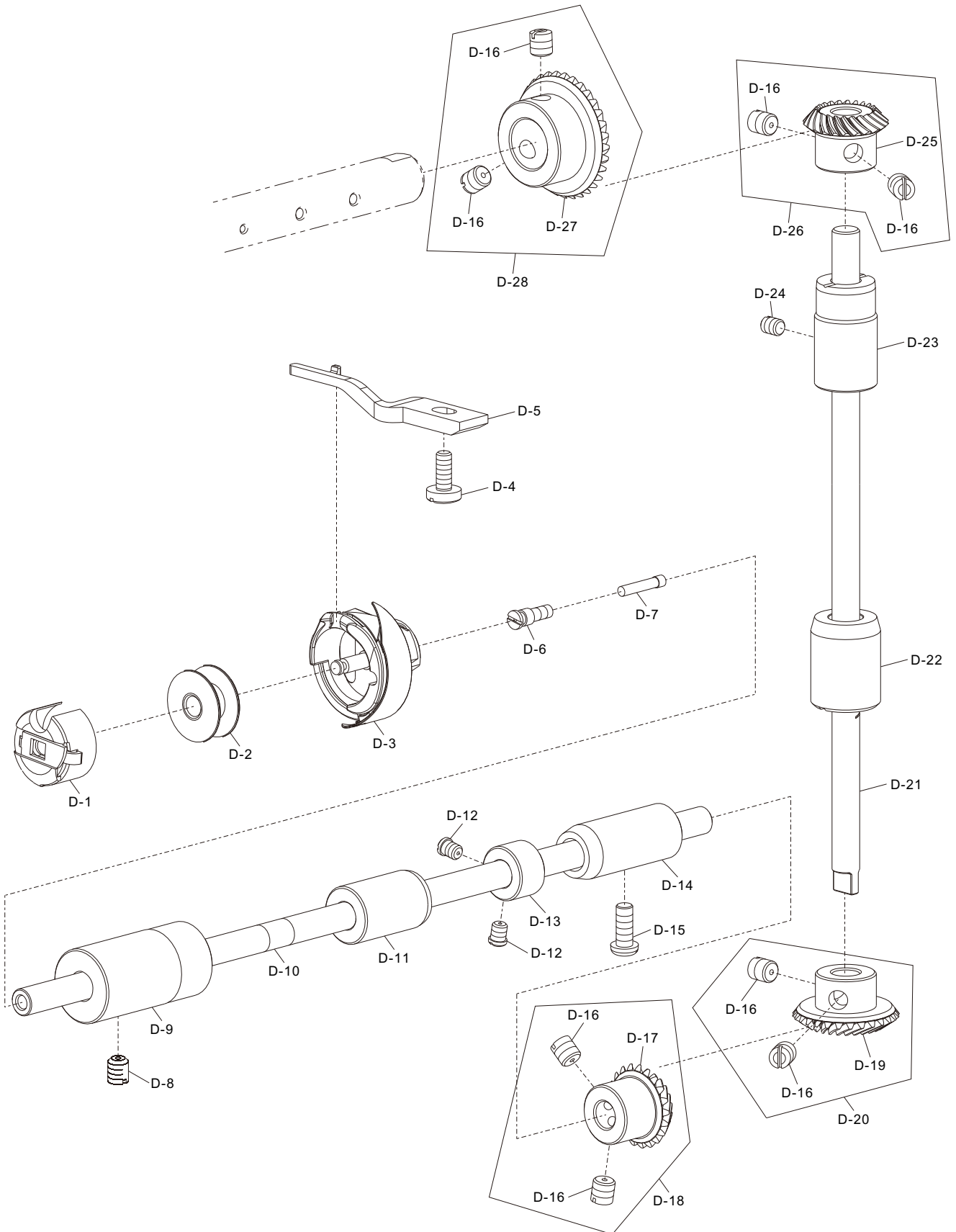
序号 Ref. No.	件号 Part No.	名称	Name of part	数量 QTY	备注 Remark
C-1	10052532	压脚组件	Presser foot ASM.	1	
C-1	10005982	压脚组件	Presser foot ASM.	1	-5/H
C-2	10010650	SM9/64"×40螺钉	Screw SM9/64"×40	1	
C-3	10010646	压杆	Presser bar	1	
C-4	10014118	压杆轴套	Shaft sleeve	1	
C-4	10005915	压杆轴套	Shaft sleeve	1	-5/H
C-5	10011457	压紧杆防油罩	Oil protector cover	1	
C-6	10000325	M6×8螺钉	Screw M6×8	1	
C-7	10039365	压杆导架	Presser guide bar bracket	1	
C-8	10004439	调压导杆	Presser guide bar	1	
C-9	10004473	调压弹簧	Spring	1	
C-10	10062022	调压螺母	Nut	1	
C-11	10062021	调压螺钉	Screw	1	
C-12	10062052	调压螺钉组件	Screw ASM.	1	
C-13	10010651	SM3/16"×32螺钉	Screw SM3/16"×32	2	
C-14	10061689	抬压脚拉杆	Lifting lever connecting rod	1	
C-15	10057556	抬压脚后杠杆组件	Lifting lever link components ASM.	1	
C-16	10010652	后杠杆轴位螺钉	Screw	2	
C-17	10057557	抬压脚连接板	Lifting lever connecting plate	1	
C-18	10057559	抬压脚顶杆	Connecting rod vertical	1	
C-19	10009037	M4×12螺钉	Screw M4×12	2	
C-20	10039378	钢丝绳压板	Platen	1	
C-21	10039380	抬压脚拉线组件	Foot lifter pull thread components ASM.	1	
C-22	10039373	松线顶板销	Pin	1	
C-23	10009074	M4×4螺钉	Screw M4×4	1	
C-24	10010027	3.68×1.78 O形圈	O-ring 3.68×1.78	2	
C-25	10039372	松线顶板	Tension release plate	1	
C-26	10050590	平垫圈	Snap ring	1	
C-27	10050188	压脚升降板	Lifting lever	1	
C-28	10013038	5×0.8挡圈	Closing ring 5×0.8	2	
C-29	10052046	压脚升降板复位簧	Spring	1	
C-30	10010016	SM9/64"×40螺钉	Screw SM9/64"×40	1	
C-31	10062023	压脚扳手	Hand lifter	1	
C-32	10050190	压脚扳手凸轮部件	Hand lifter CAM ASM.	1	
C-33	10039374	限位销	Pin	1	
C-34	10005834	SM3/16"×32螺母	Nut SM3/16"×32	2	
C-35	10008860	松线座	Loosing plate	1	
C-36	10008834	松线复位簧	Spring	1	
C-37	10012467	松线座螺钉	Screw	1	
C-38	10008811	松线钢绳座	Loosing line plate	1	
C-39	10013615	挡线板	Fixing shutter	1	
C-40	10006624	SM9/64"×40螺钉	Screw SM9/64"×40	2	
C-41	10008972	SM3/16"×28螺钉	Screw SM3/16"×28	2	
C-42	10011653	5.2×10.5×1垫圈	Washer 5.2×10.5×1	2	
C-43	10050041	抬压电磁铁	Electromagnes	1	
C-44	10000134	M5×10螺钉	Screw M5×10	4	

“\*” 具体内容需向客服咨询

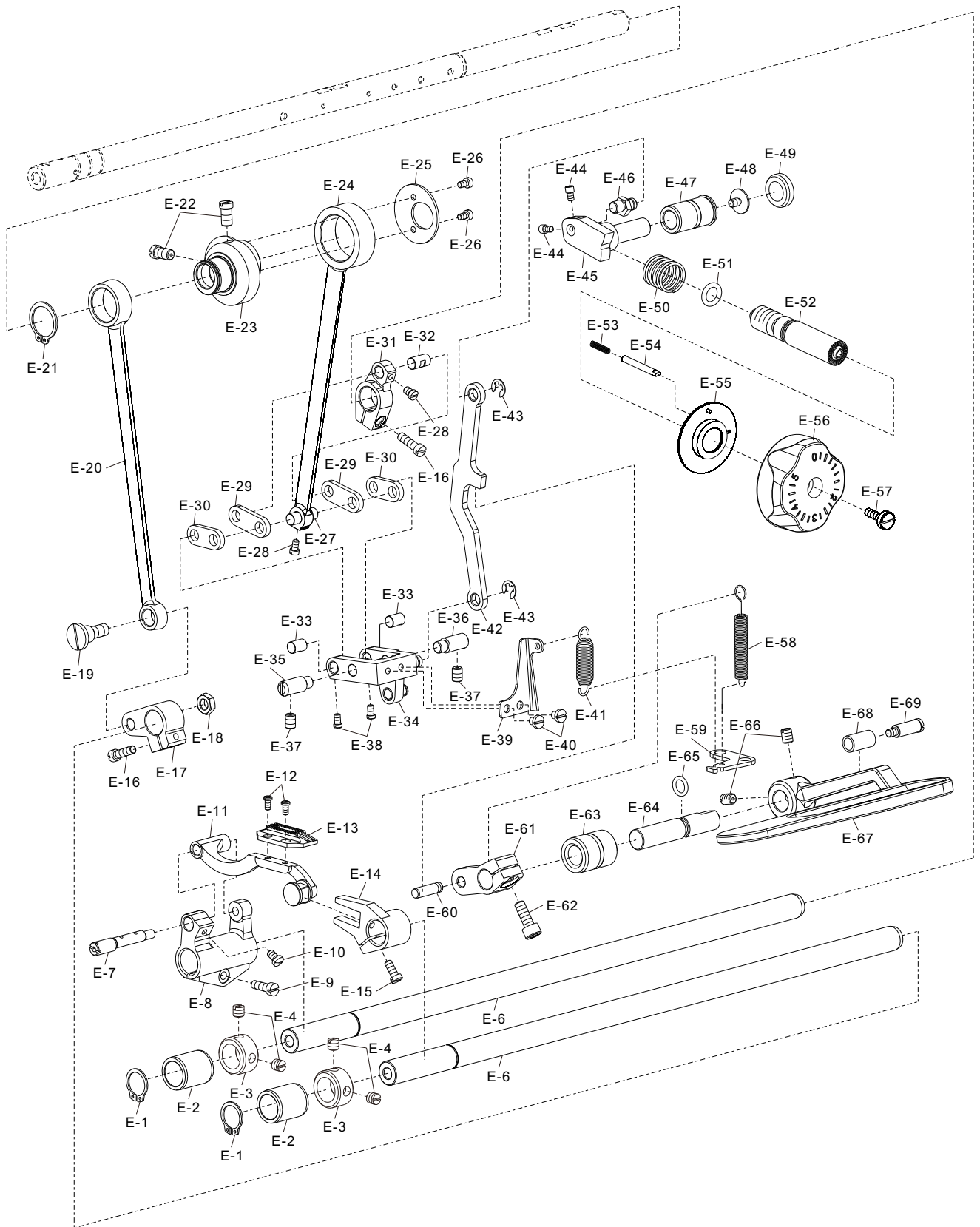
“\*” Specific content need to consult customer service

# D

## 勾线分组件 Hook Of Driving Shaft Components







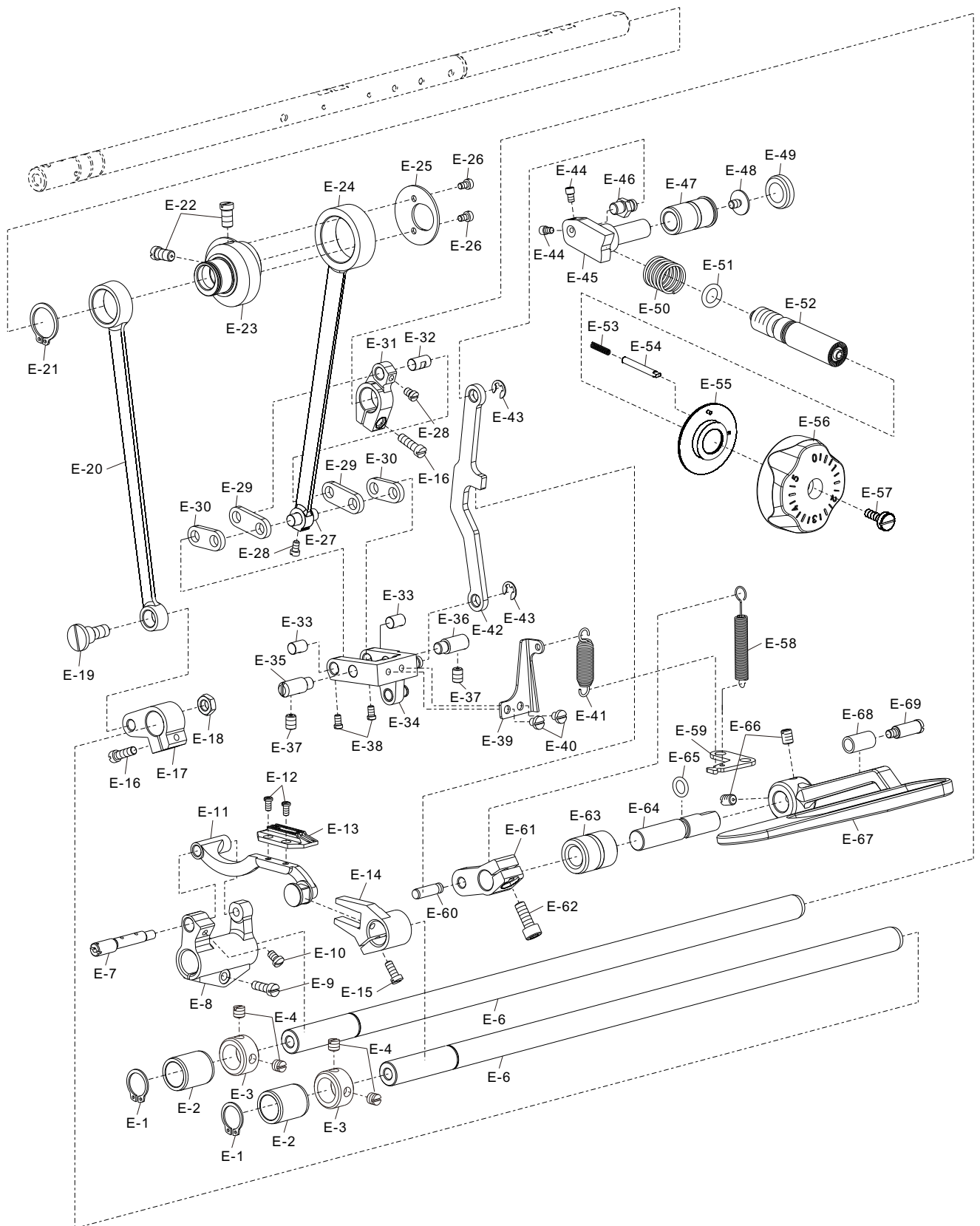


送料分组件  
Feed Mechanism Components

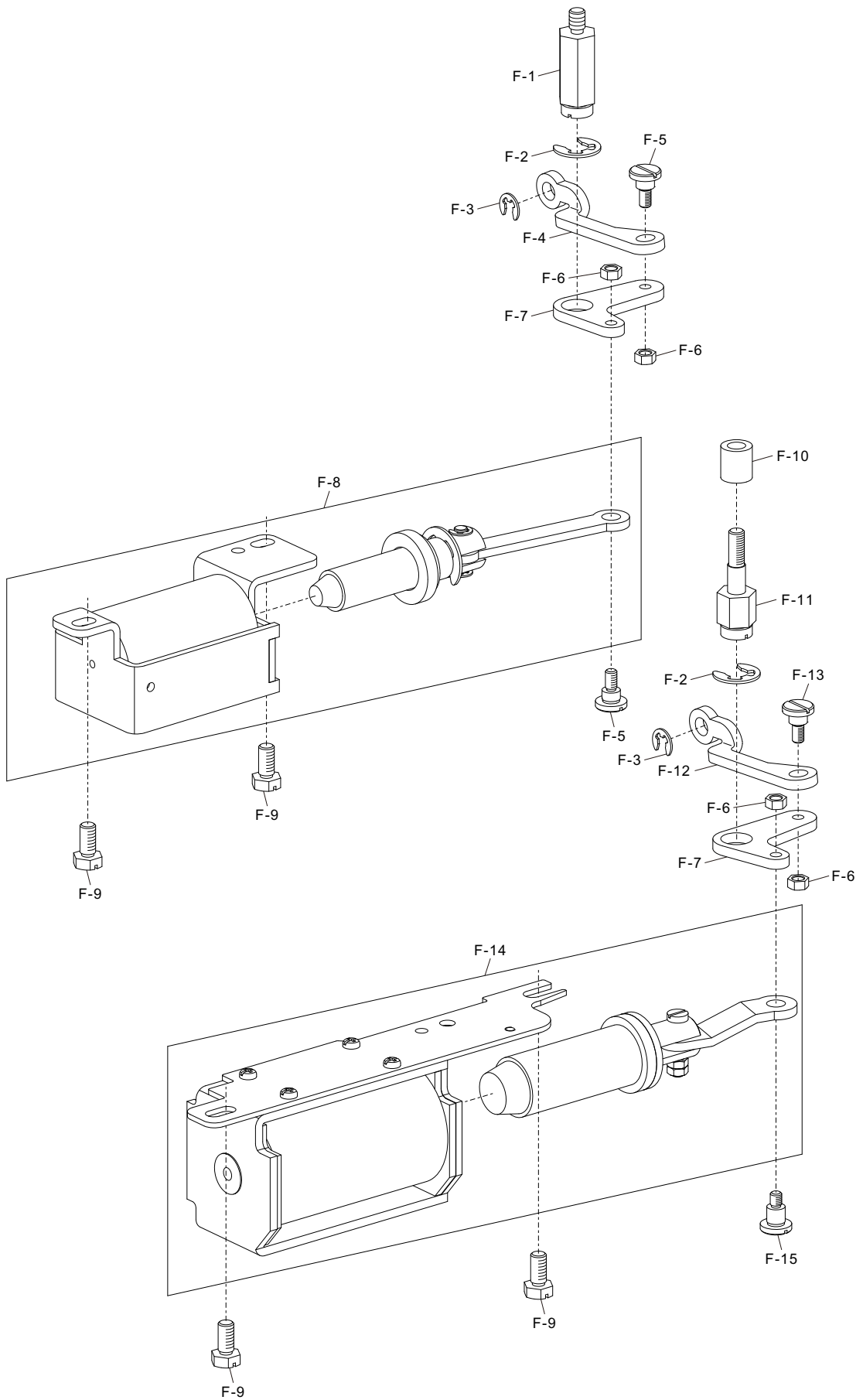
序号 Ref. No.	件号 Part No.	名称	Name of part	数量 QTY	备注 Remark
E-1	10010090	13.8×1挡圈	Closing ring 13.8×1	2	
E-2	10014116	送料拾牙轴轴套	Shaft sleeve	2	
E-3	10010542	挡圈	Thrust collar	2	
E-4	10005020	SM1/4"×40螺钉	Screw SM1/4"×40	4	
E-5	10010097	拾牙轴	Feed driving shaft	1	
E-6	10010073	送料轴	Feed rocker shaft	1	
E-7	10004440	牙架座偏心销	Pin	1	
E-8	10004474	牙架座	Feed bar driving crank	1	
E-9	10004993	SM3/16"×28螺钉	Screw SM3/16"×28	1	
E-10	10010074	SM11/64"×40螺钉	Screw SM11/64"×40	1	
E-11	20024474	牙架部件	Feed bar ASM.	1	
E-11	20019012	牙架部件	Feed bar ASM.	1	H
E-12	10010099	SM1/8"×44螺钉	Screw SM1/8"×44	2	
E-13	10052531	送料牙	Feed dog	1	
E-13	10026357	送料牙	Feed dog	1	S7
E-13	10007322	送料牙	Feed dog	1	-5
E-13	10038413	送料牙	Feed dog	1	H
E-14	10010100	拾牙叉形曲柄	Crank	1	
E-14	10030200	拾牙叉形曲柄	Crank	1	S7/H
E-15	10004628	SM11/64"×40螺钉	Screw SM11/64"×40	1	
E-16	10010095	SM3/16"×28螺钉	Screw SM3/16"×28	2	
E-17	10010086	拾牙后曲柄	Crank	1	
E-18	10004475	SM9/32"×28螺母	Nut SM9/32"×28	1	
E-19	10010091	拾牙连杆轴位螺钉	Screw	1	
E-20	10010084	拾牙连杆	Connecting rod	1	
E-21	10010089	18.5×1.2挡圈	Closing ring 18.5×1.2	1	
E-22	10010092	SM1/4"×40螺钉	Screw SM1/4"×40	2	
E-23	10010115	送料偏心轮	Feed drive eccentric cam	1	
E-23	10005991	送料偏心轮	Feed drive eccentric cam	1	S7/H
E-24	10010072	送料连杆	Connecting rod	1	
E-24	10006004	送料连杆	Connecting rod	1	S7/H
E-25	10010098	送料偏心轮盖板	Thrust cover	1	
E-25	10005992	送料偏心轮盖板	Thrust cover	1	S7/H
E-26	10010643	SM9/64"×40螺钉	Screw SM9/64"×40	2	
E-27	10010069	送料连杆销	Pin	1	
E-28	10010071	SM9/64"×40螺钉	Screw SM9/64"×40	2	
E-29	10010068	送料长摆动板	Connecting plate	2	
E-30	10010075	送料短摆动板	Connecting plate	2	
E-31	10010076	送料曲柄	Crank	1	
E-32	10010096	送料曲柄销	Pin	1	
E-33	10010087	短摆动板连接销	Pin	2	
E-34	10012775	送料摆动板座部件	Feed adjusting ASM.	1	
E-34	10035665	送料摆动板座部件	Feed adjusting ASM.	1	S7/H
E-35	10010102	送料摆动板座左销	Pin	1	
E-36	10058783	送料摆动板座右销	Pin	1	
E-37	10010678	SM15/64"×28螺钉	Screw SM15/64"×28	2	
E-38	10010197	SM9/64"×40螺钉	Screw SM9/64"×40	2	

“\*” 具体内容需向客服咨询

“\*” Specific content need to consult customer service





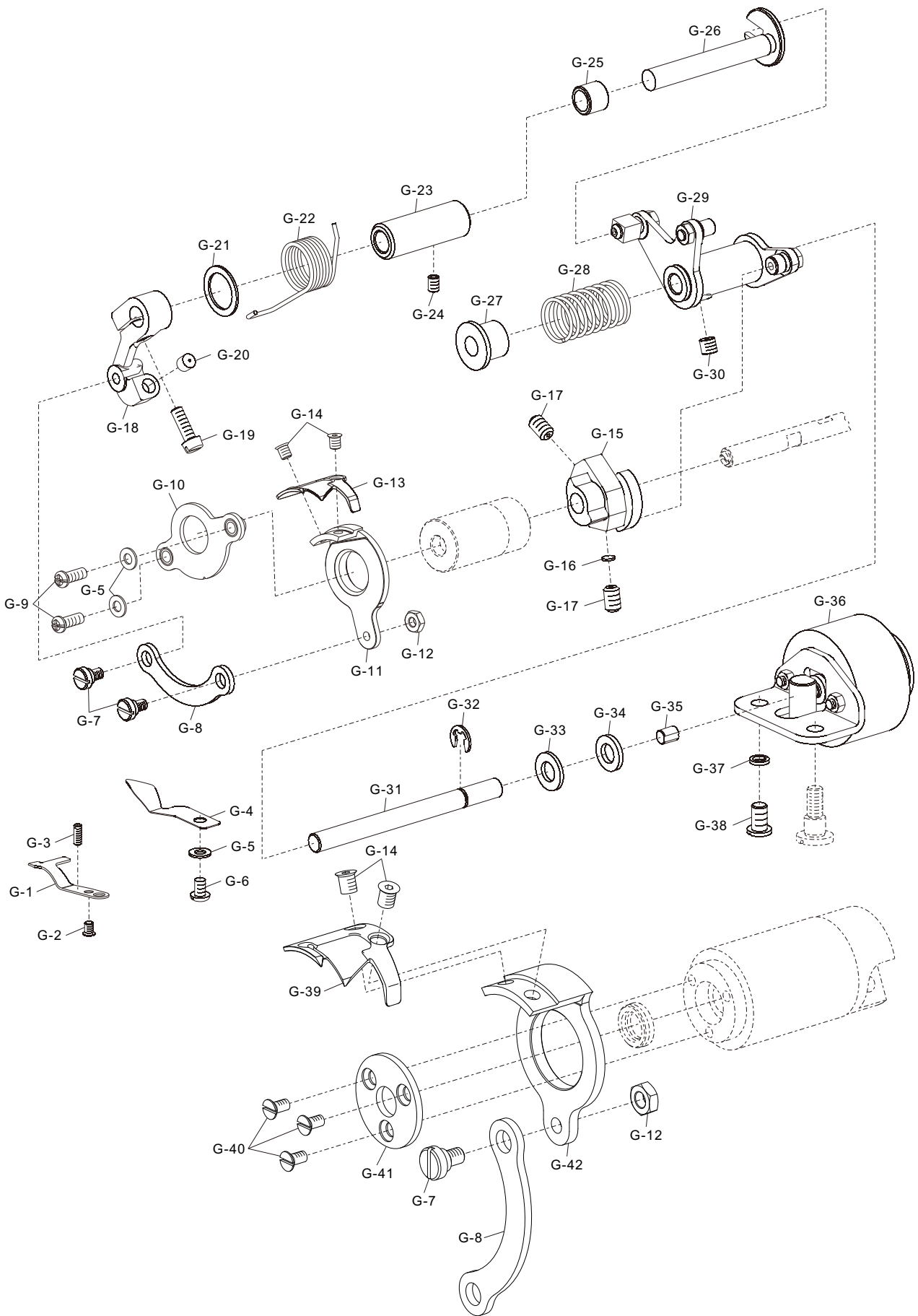








剪线分组件  
Thread trimmer Components





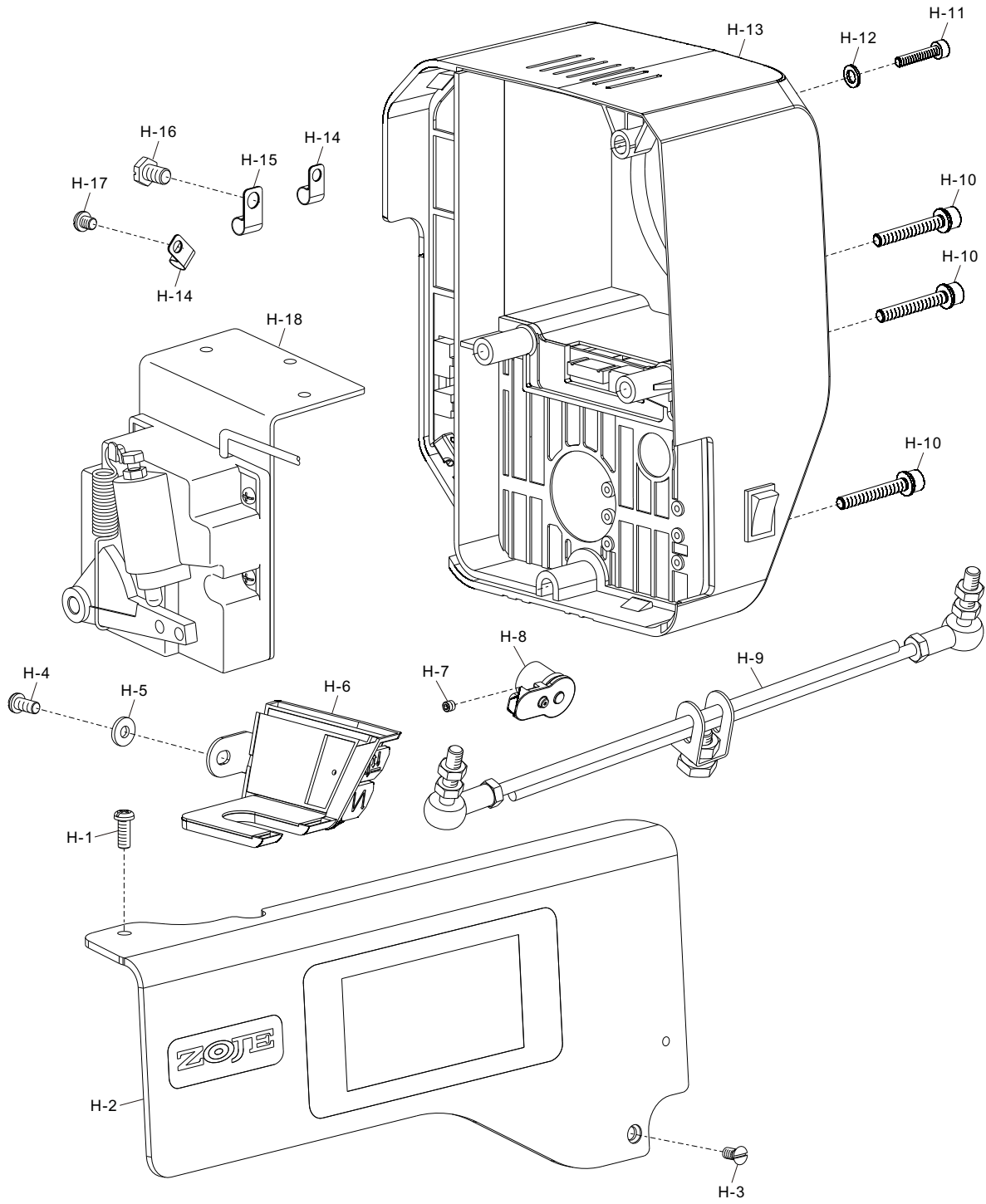
剪线分组件  
Thread trimmer Components

序号 Ref. No.	件号 Part No.	名称	Name of part	数量 QTY	备注 Remark
G-1	10011421	定刀	Fixed knife	1	
G-2	10011422	SM9/64"×40螺钉	Screw SM9/64"×40	1	
G-3	10024496	SM1/8"×40螺钉	Screw SM1/8"×40	1	
G-4	10058067	分线器	Dispart	1	
G-4	10062533	分线器	Dispart	1	H
G-5	10013154	9×4.5×0.8垫圈	Washer 9×4.5×0.8	3	
G-6	10014474	SM11/64"×40螺钉	Screw SM11/64"×40	1	
G-7	10011514	SM11/64"×40螺钉	Screw SM11/64"×40	2	
G-8	10031612	刀轴连杆	Knife shaft crack rod	1	
G-9	10010900	SM11/64"×40螺钉	Screw SM11/64"×40	2	
G-10	10008856	刀架压板组件	Knife holder ASM.	1	
G-11	10004640	动刀架	Round knife bracket	1	
G-12	10011578	SM11/64"×40螺母	Nut SM11/64"×40	1	
G-13	10011494	动刀	Round knife	1	
G-13	10030280	动刀	Round knife	1	-5
G-14	10011588	SM11/64"×40螺钉	Screw SM11/64"×40	2	
G-15	10010736	剪线凸轮	Thread trimmer cam	1	
G-16	10023739	剪线凸轮垫	Cam collar	1	
G-17	10013465	SM1/4"×40螺钉	Screw SM1/4"×40	2	
G-18	10058043	切线驱动曲柄	Trimming crank	1	
G-19	10008863	SM3/16"×32螺钉	Screw SM3/16"×32	1	
G-20	10011580	曲柄止动块	Block	1	
G-21	10008865	15.3×21×1垫圈	Washer 15.3×21×1	1	
G-22	10011649	曲柄复位簧	Spring	1	
G-23	10012454	切线轴套	Shaft sleeve	1	
G-24	10012062	SM11/64"×40螺钉	Screw SM11/64"×40	1	
G-25	10011630	曲柄轴短套	Short bushing	1	
G-26	10008866	切刀驱动曲柄轴	Trimming crank shaft	1	
G-27	10014196	弹簧端盖	Spring cover	1	
G-28	10008812	弹簧	Spring	1	
G-29	10011686	切线凸轮曲柄组件	Trimming cam crank ASM.	1	
G-30	10008862	SM1/4"×40螺钉	Screw SM1/4"×40	1	
G-31	10011697	切刀驱动轴	Trimming shaft	1	
G-32	10009654	6×1挡圈	Closing ring 6×1	1	
G-33	10003031	8.4×16×1.6垫圈	Washer 8.4×16×1.6	1	
G-34	10011650	8.2×15×2垫圈	Washer 8.2×15×2	1	
G-35	10050266	消音塞	Sound deadening plug	1	
G-36	10031414	剪线电磁铁组件	Thread trimmer solenoid ASM.	1	
G-37	10003077	6弹簧垫圈	Washer 6	1	
G-38	10011605	SM1/4"×28螺钉	Screw SM1/4"×28	1	
G-39	10026782	动刀	Round knife	1	H
G-40	10009626	M3×4.35螺钉	Screw M3×4.35	1	H
G-41	10013026	刀架压板	Knife holder	1	H
G-42	10026783	动刀架	Round knife bracket	1	H

“\*” 具体内容需向客服咨询  
“\*” Specific content need to consult customer service

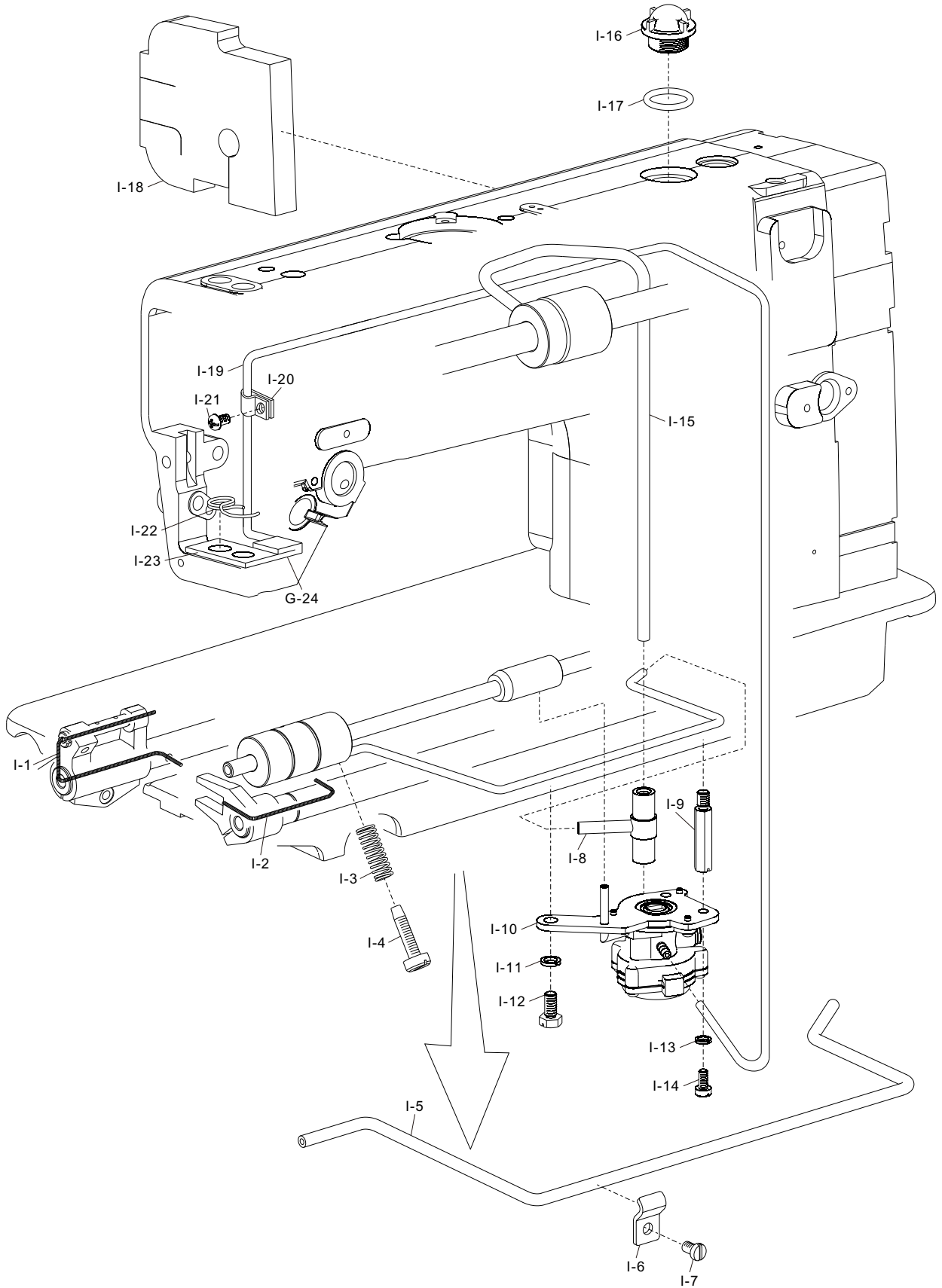


电控分组件  
Drive-by-wire Components

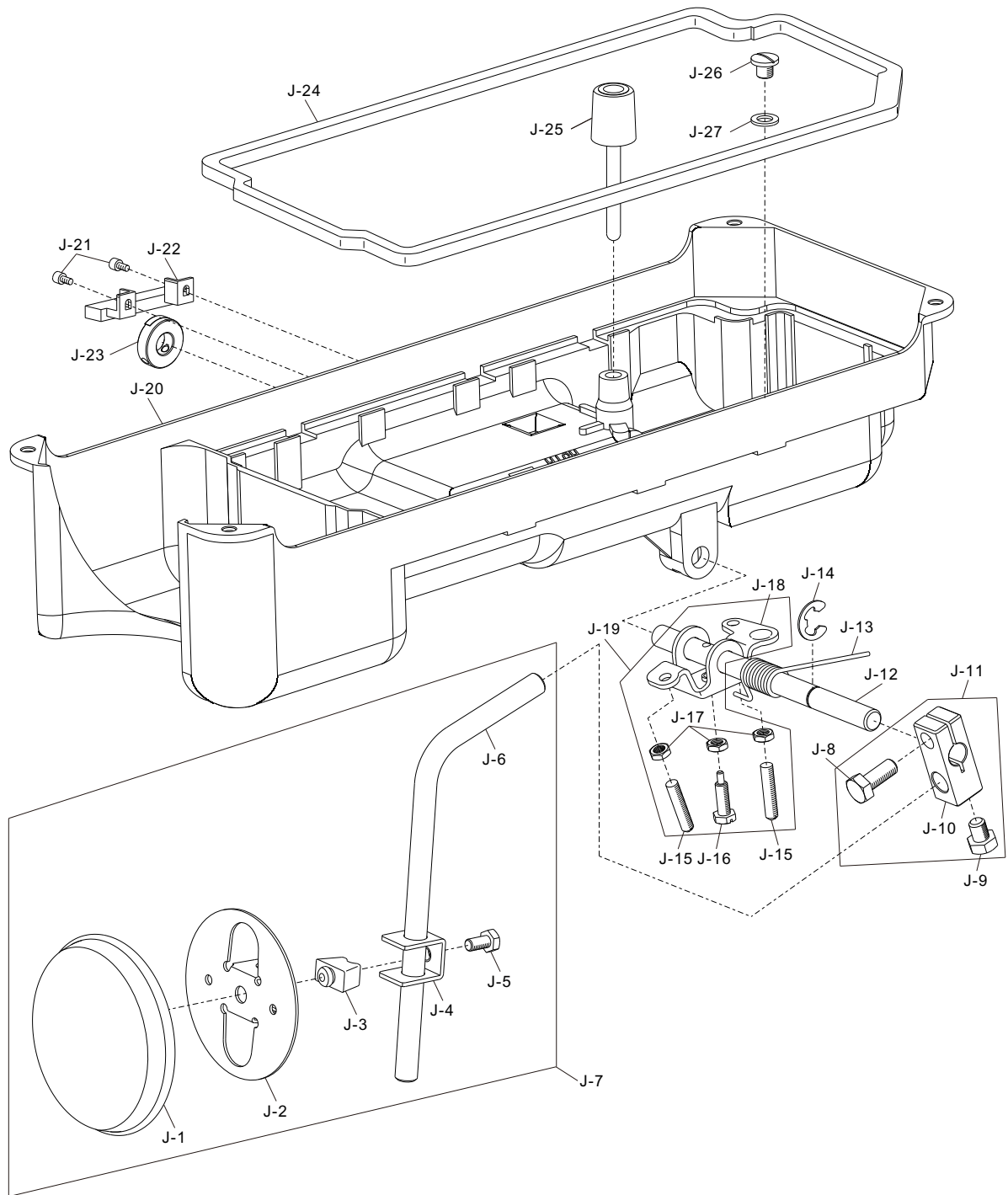




# 润滑分组件 Lubrication Components

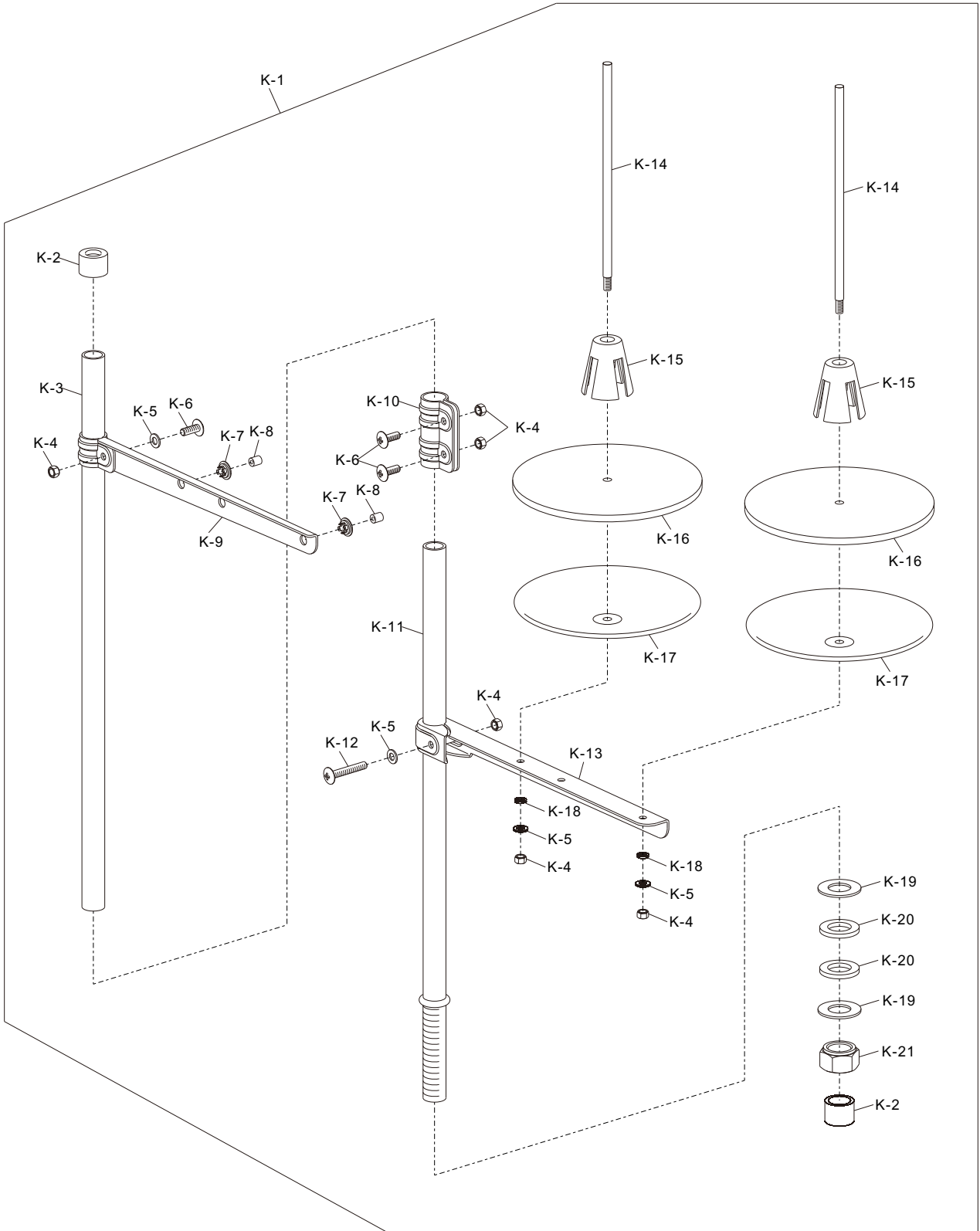
















附件  
Auxiliaries

