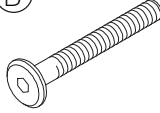

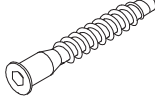


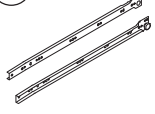
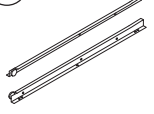

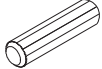
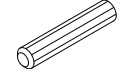
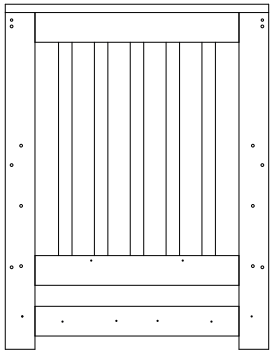
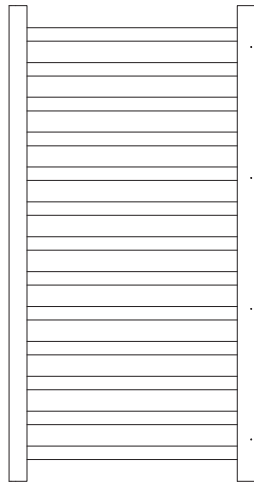
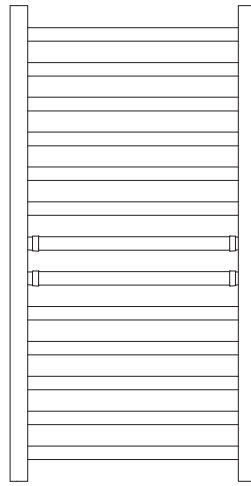
 X1	 M6x50 X12	 Ø10x13 X12	 7x50 X6	 3,5x16 X6	 3x13 X6
 L-500 X1	 L-500 X1	 Ø3x16 X12	 Ø8x30 X8	 Ø6x32 X4	



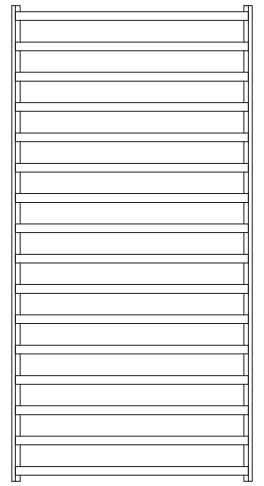
① x2



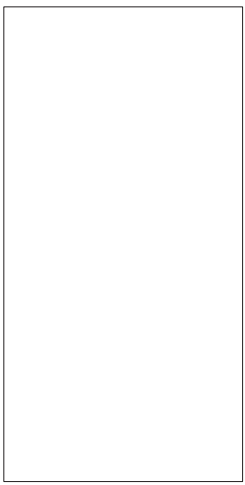
②



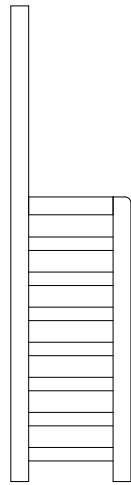
③



④



⑤



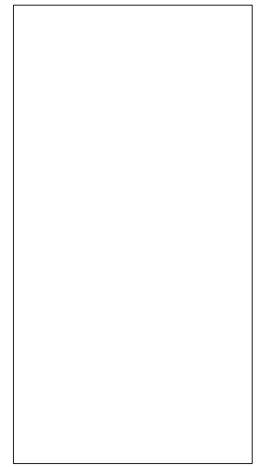
⑥



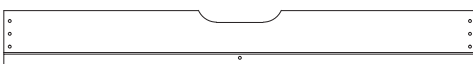
⑦ x2



⑧



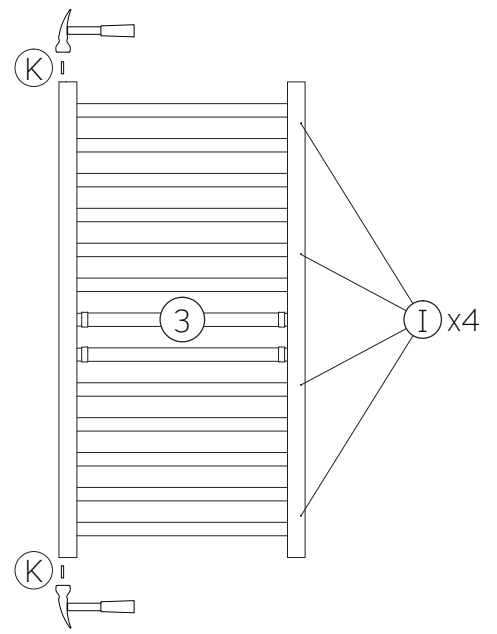
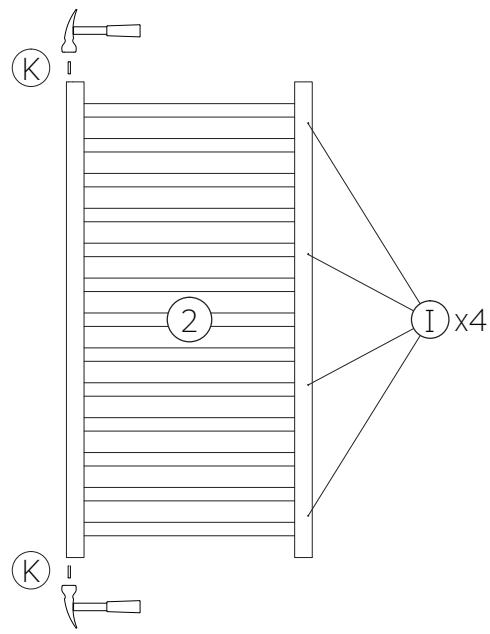
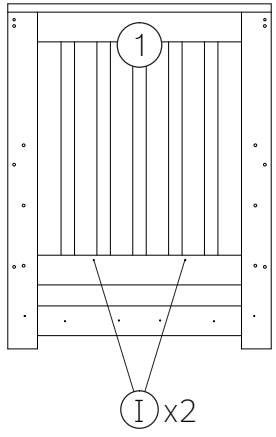
⑨



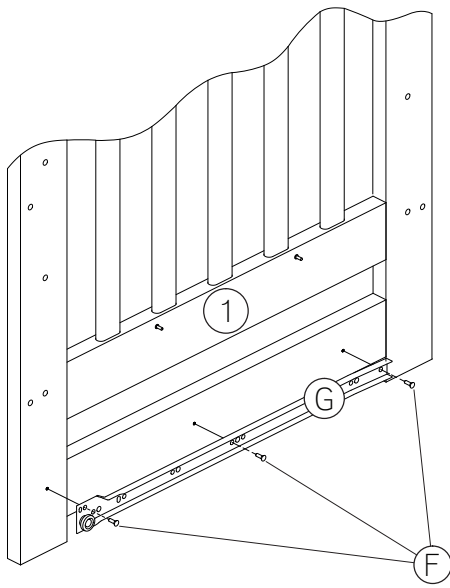
⑩



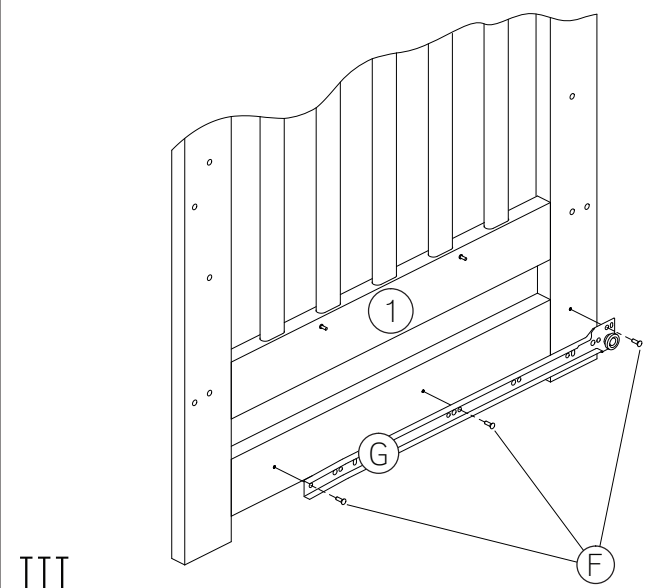
⑪



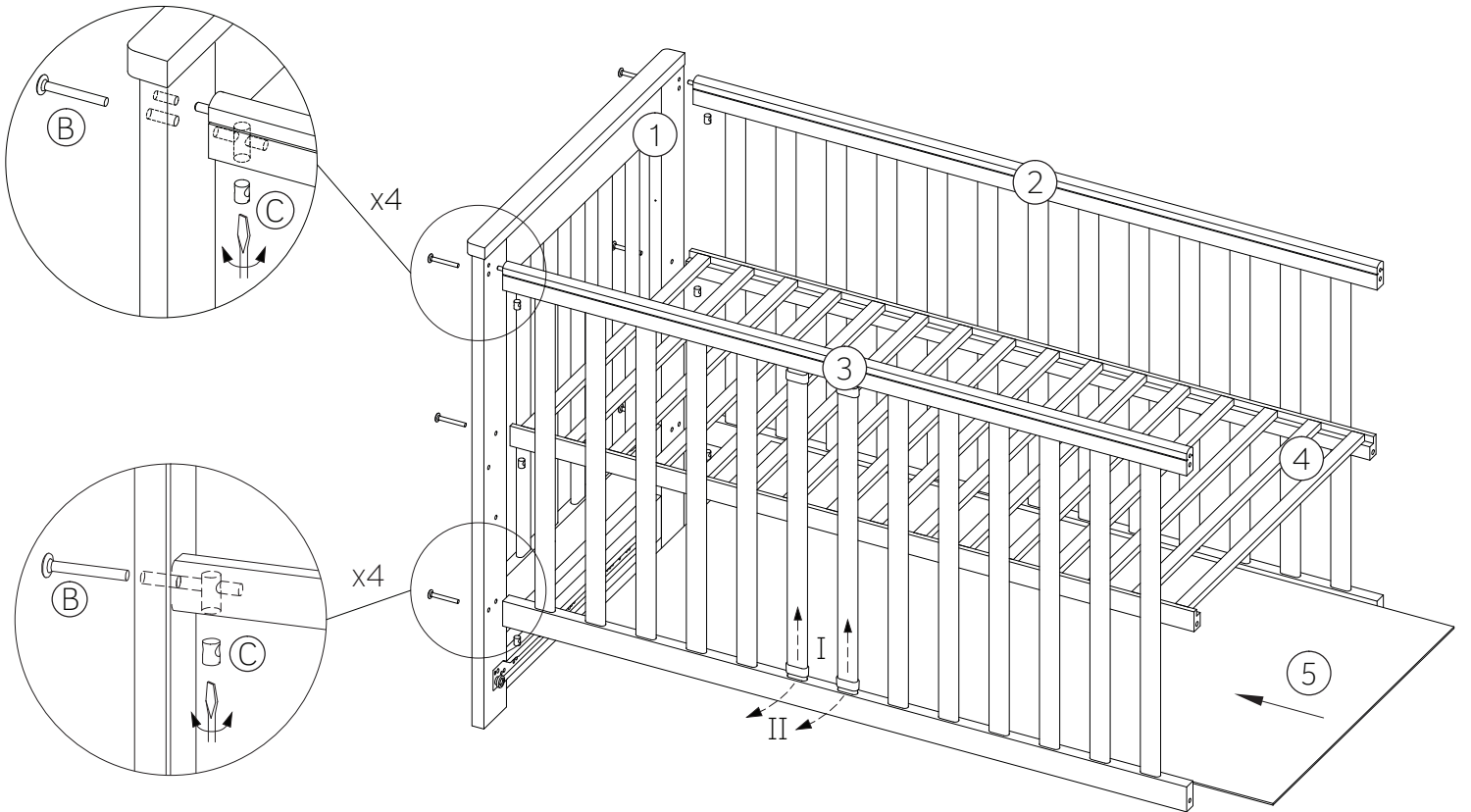
Ia



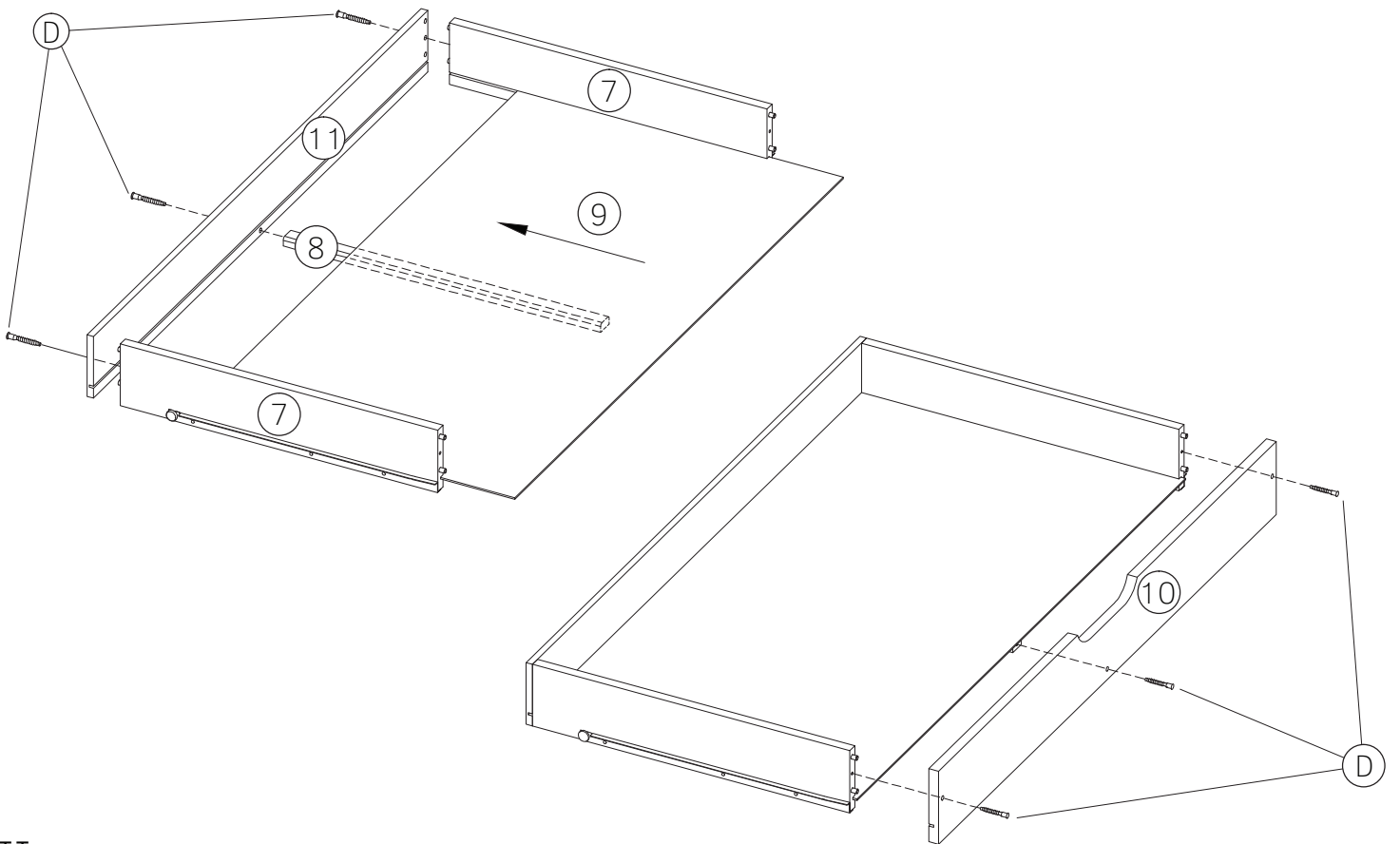
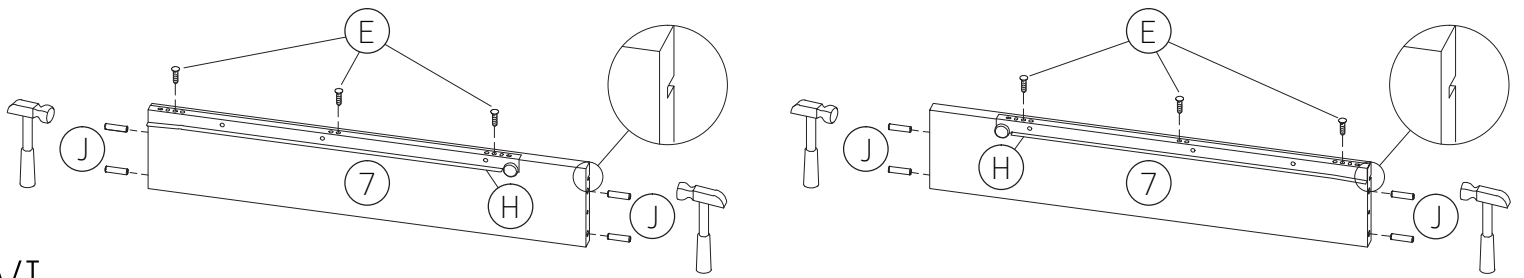
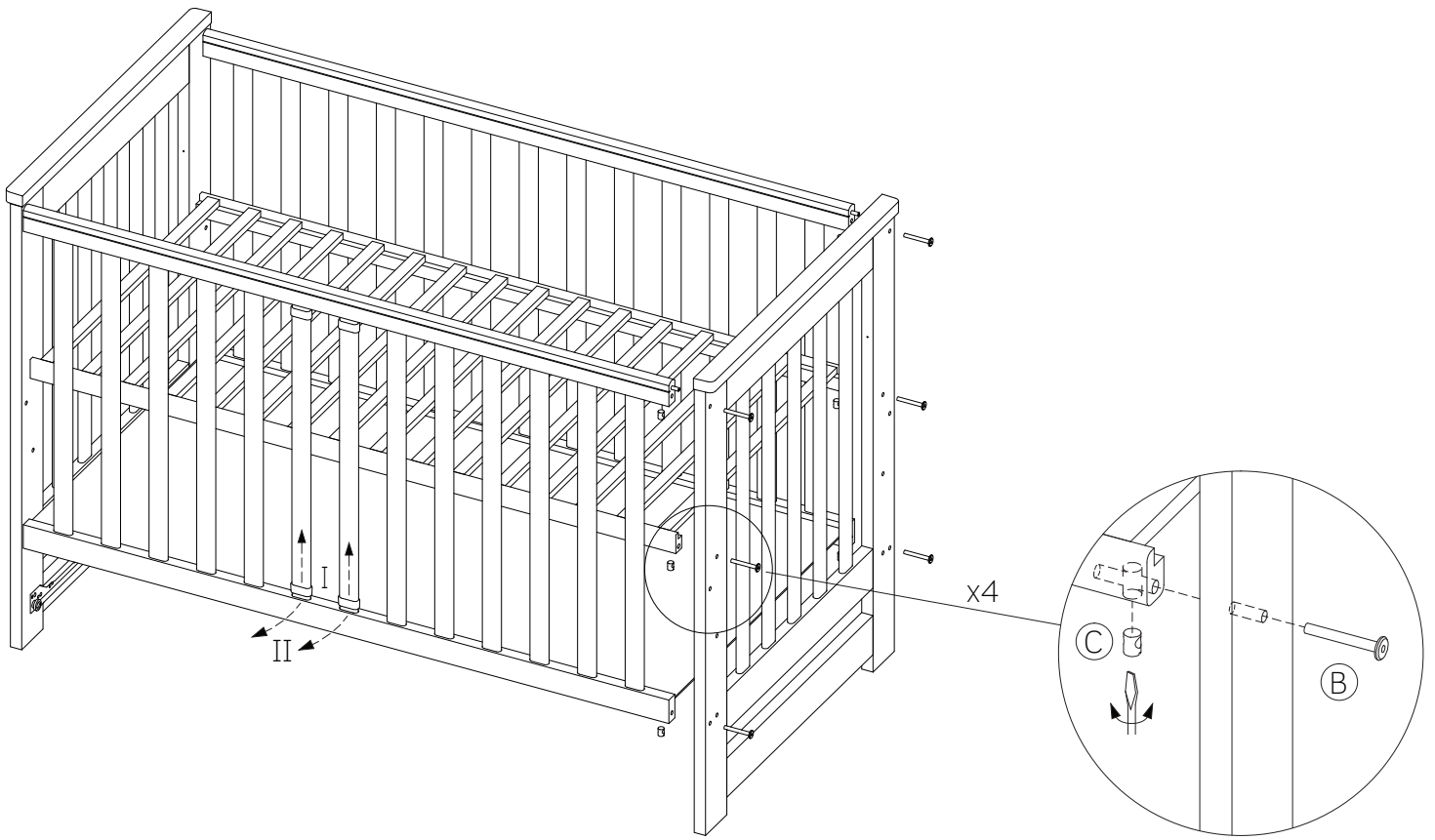
II

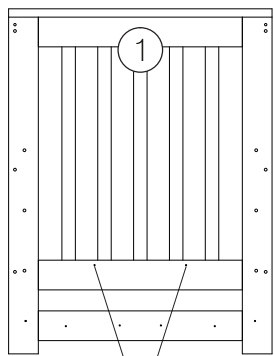


III



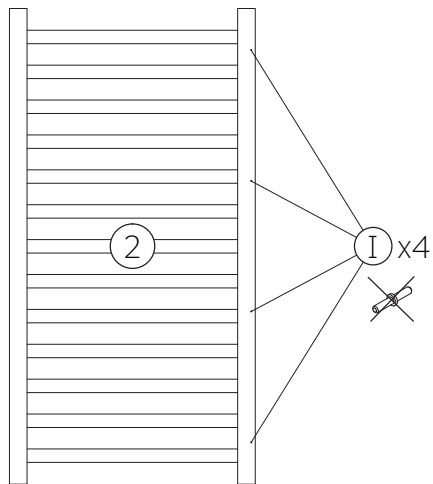
IVa



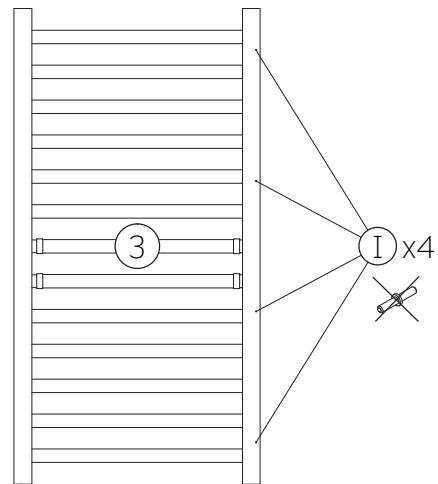


I x 2

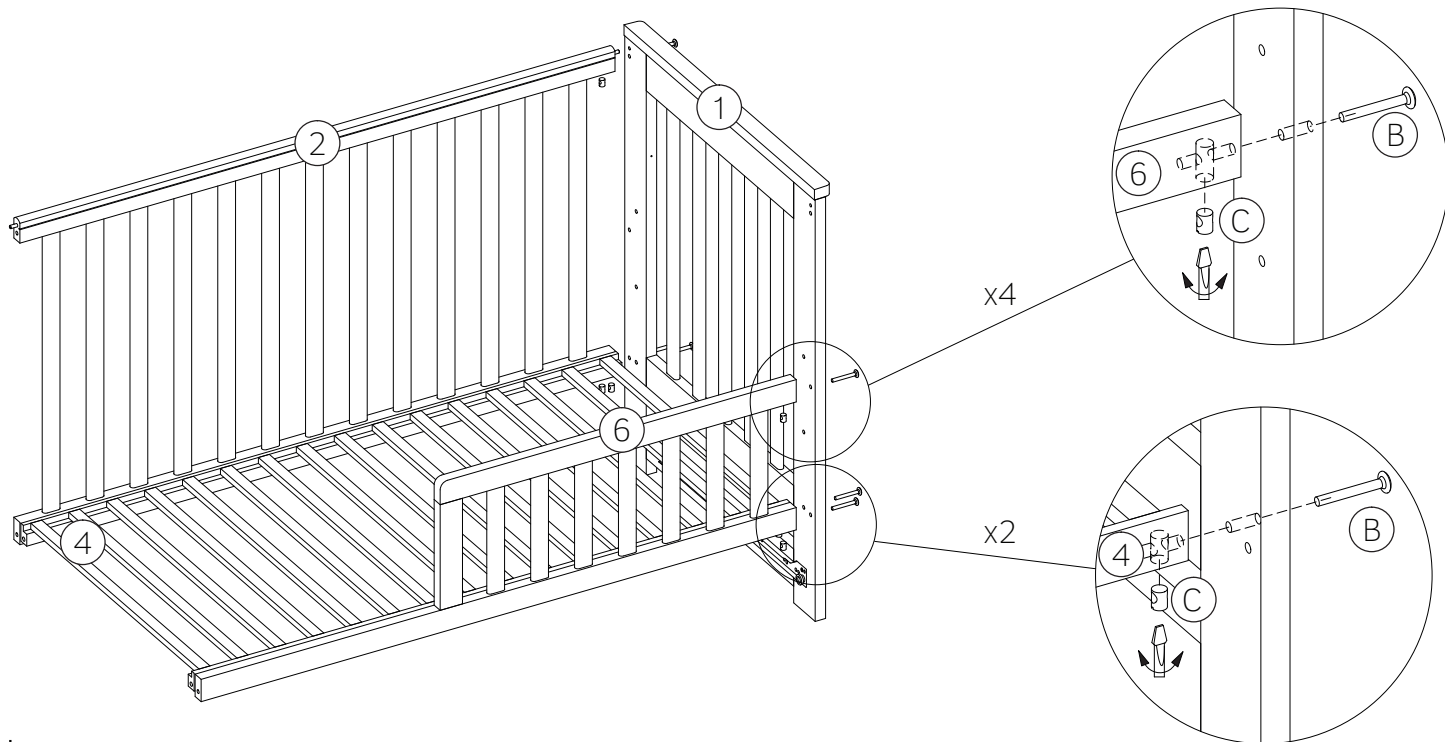
VIIIb



I x 4



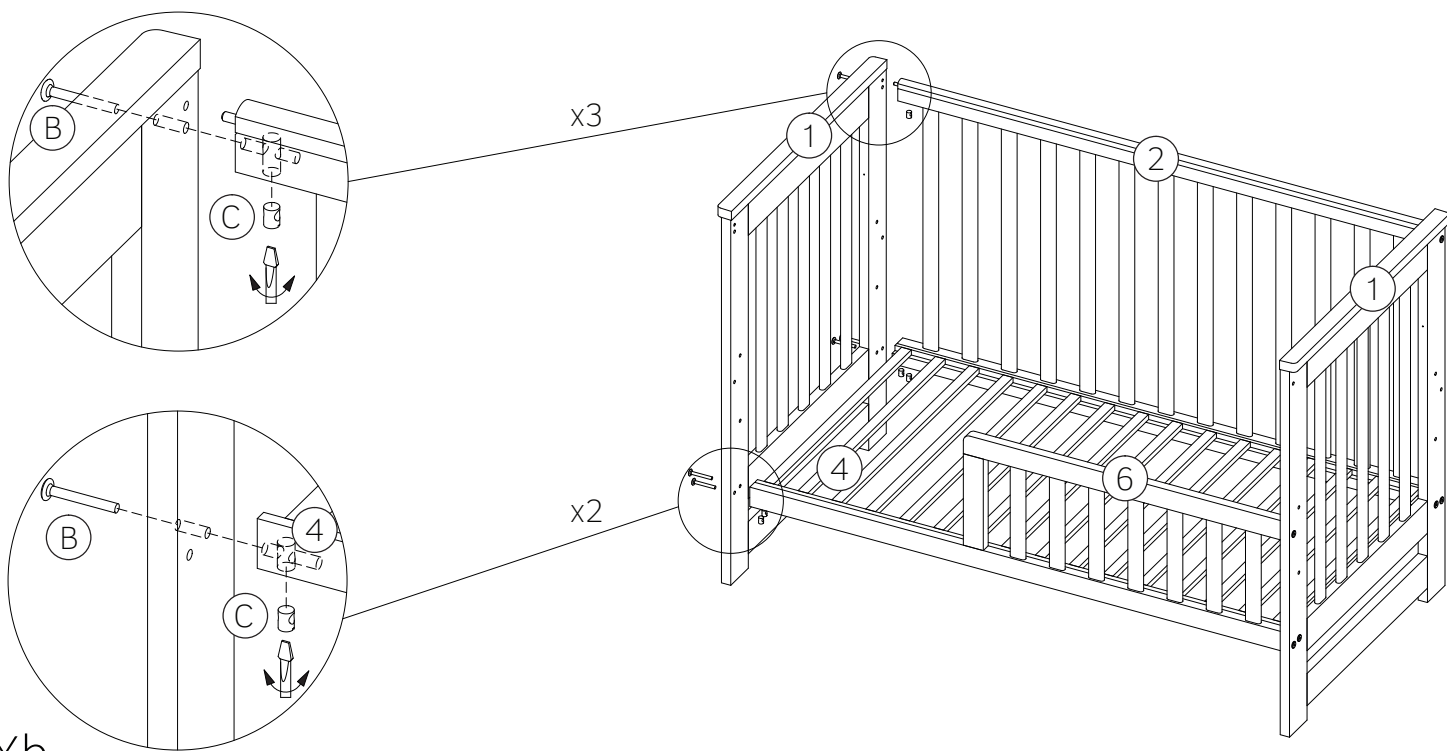
I x 4



x4

x2

IXb



x3

x2

Xb