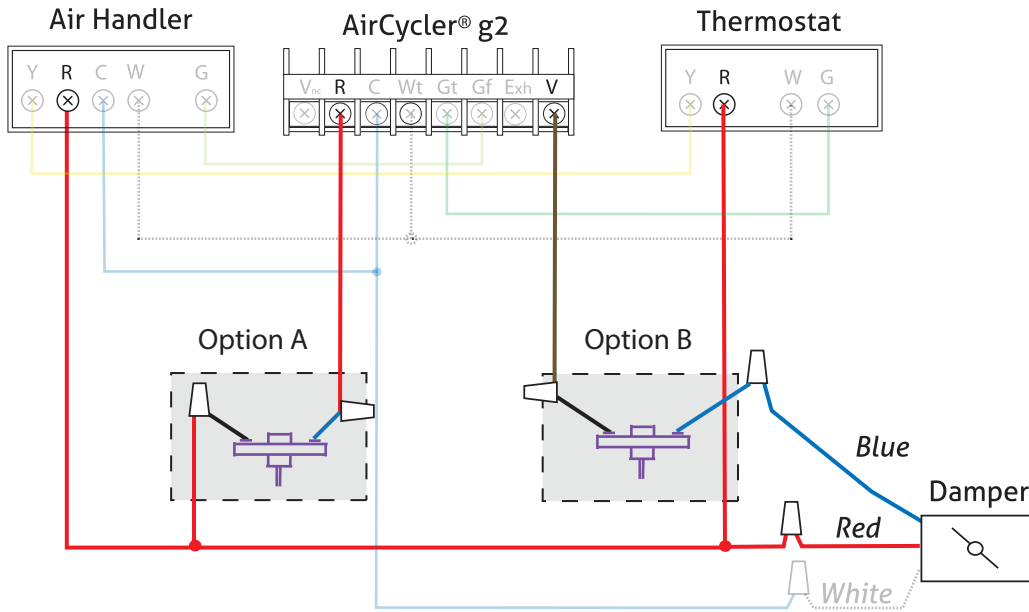


# TempGuard™ Wiring Options



## AirCycler® g2-k + TempGuard™ Wiring Diagram

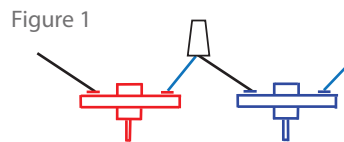


KEY
R - 24VAC Power
C - Common
W - Heating
Gt - Fan From Thermostat
Gf - Fan To Furnace
V - Vent
Ex - Exhaust Fan
Vnc - Normal Closed Vent (To power spring-return dampers that are normally open)

**Option A:**  
Use TempGuard to disable all ventilation functions during extreme temperatures.

**Option B:**  
Use TempGuard to only disable fresh air damper from letting in outside air during extreme temperatures. Exhaust fan ventilation and delay time functions still operate as normal if using optional FanConnect switch. Whole house mixing using the air handler fan still operates as normal if configured.

If both temperature extreme's are required, simply wire sensors in series (Figure 1):



**NOTE:**  
There are no changes required to optional FanConnect wiring.

See wiring diagram (Figure 2):

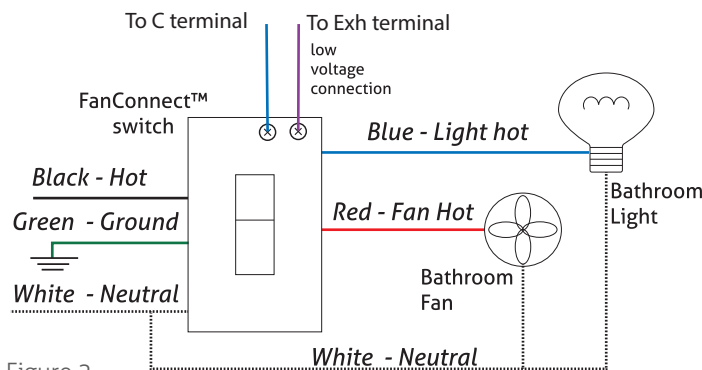


Figure 2

## TempGuard™ COLD

Item # ACTG-C02

### Specifications

OFF Temp: 35°F +/- 5°  
ON Temp: 4°F higher  
Operation: 2A @ 24VAC

## TempGuard™ HOT

Item # ACTG-H01

### Specifications

OFF Temp: 95°F +/- 5°  
ON Temp: 4°F lower  
Operation: 2A @ 24VAC