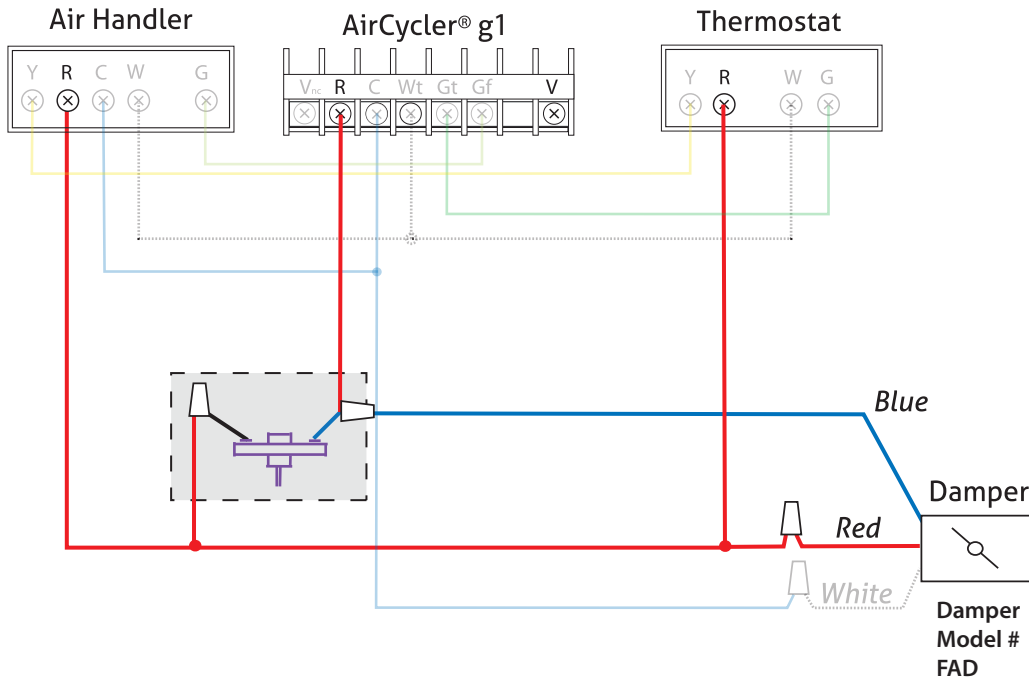
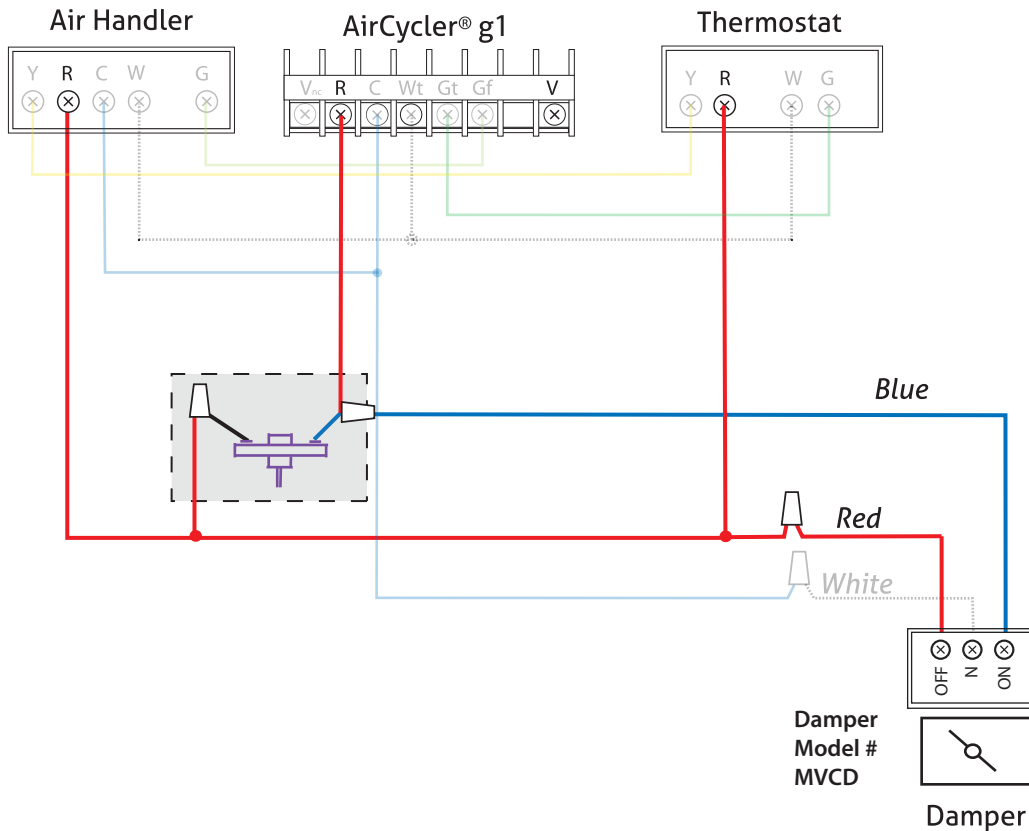


TempGuard™ Wiring Options

AirCycler® g1 + TempGuard™ Wiring Diagram



KEY
R - 24VAC Power
C - Common
W - Heating
Gt - Fan From Thermostat
Gf - Fan To Furnace
V - Vent
Vnc - Normal Closed Vent (To power spring-return dampers that are normally open)



TempGuard™ COLD

Item # ACTG-C02

Specifications

OFF Temp: 35°F +/- 5°
 ON Temp: 4°F higher
 Operation: 2A @ 24VAC

TempGuard™ HOT

Item # ACTG-H01

Specifications

OFF Temp: 95°F +/- 5°
 ON Temp: 4°F lower
 Operation: 2A @ 24VAC

If both temperature extremes are required, simply wire sensors in series (Figure 1):

