

AIRCYCLER® FR-V WIRING DIAGRAM

COMMUNICATING THERMOSTAT WIRING

For using the furnace fan for supplemental ventilation



With a system that uses a communicating thermostat, such as the Carrier Infinity system, use the 110VAC EAC (Electronic Air Cleaner) terminals and a 110VAC SPST relay to generate the 24VAC signal required to indicate to the AirCycler controller when the furnace fan is running. Refer to Carrier instructions for configuring G terminal operation.

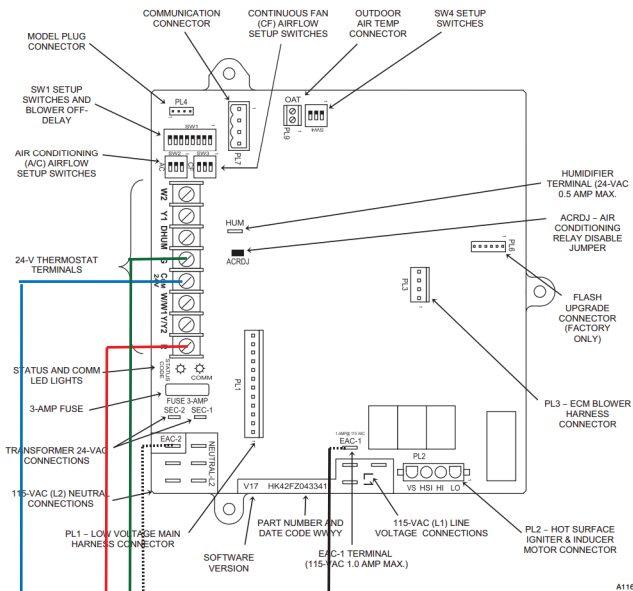


Fig. 36 - Example of Variable Speed Furnace Control

Infinity(r) Touch Control - Installation Instructions

6.3.2.4. Fan Coil G--Terminal

This setup option selects desired operation when the R--G circuit changes state on the fan coil control board depending on setup.

Under the function option, FAN turns on fan to selected fan speed when G terminal is energized. SHUTDOWN shuts off fan and equipment when initiated. After the selections are made, touch SAVE.

Function: Disabled, Fan or Shutdown

Default = Disabled <- set to Fan

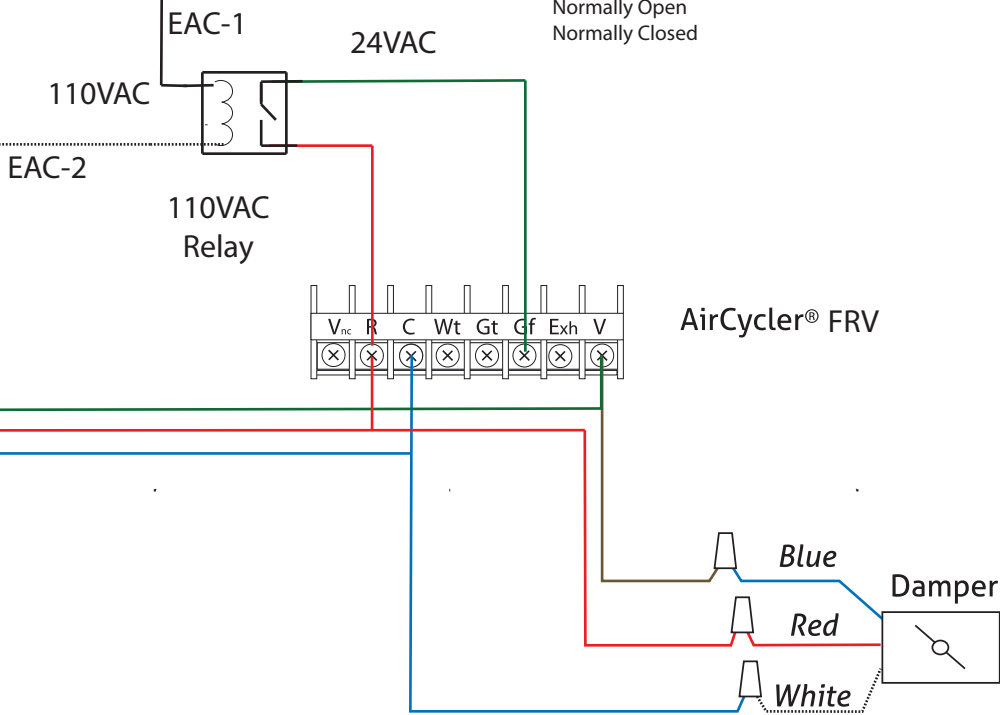
Fan Speed: Low, Med, or High

Default = Low <- set to desired speed.

Shutdown:

Normally Open

Normally Closed



Set FAN ON & FAN OFF times the same as VENT ON & VENT OFF times. The AirCycler FRV will monitor the OFF time of the thermostat and when the FAN OFF time expires, force ON the furnace fan and open the fresh air damper for the set VENT ON time. This cycle will repeat until the next call for heating/cooling. On any heating/cooling calls, the damper will open for the VENT ON time, then shut for the VENT OFF time if the furnace is still running.

Carrier furnaces have a minimum 90 second delay in turning off the furnace fan after a heating/cooling cycle. This precludes using the AirCycler g2 control since it's algorithm is not compatible with this long delay time.