

Communicating Thermostat Wiring

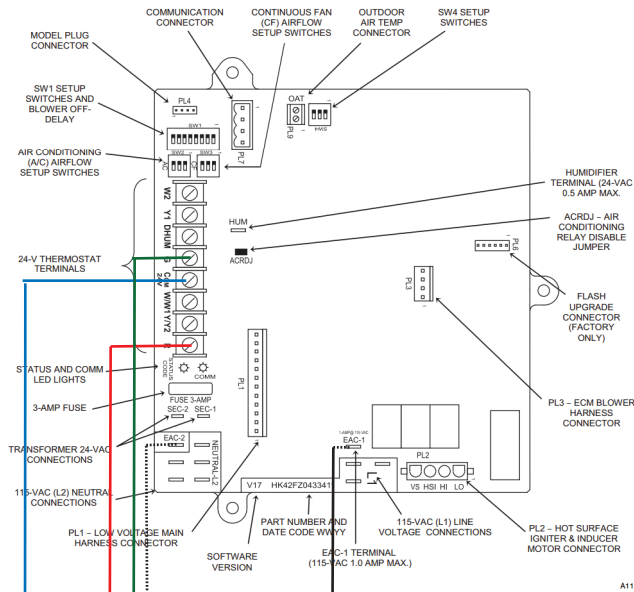
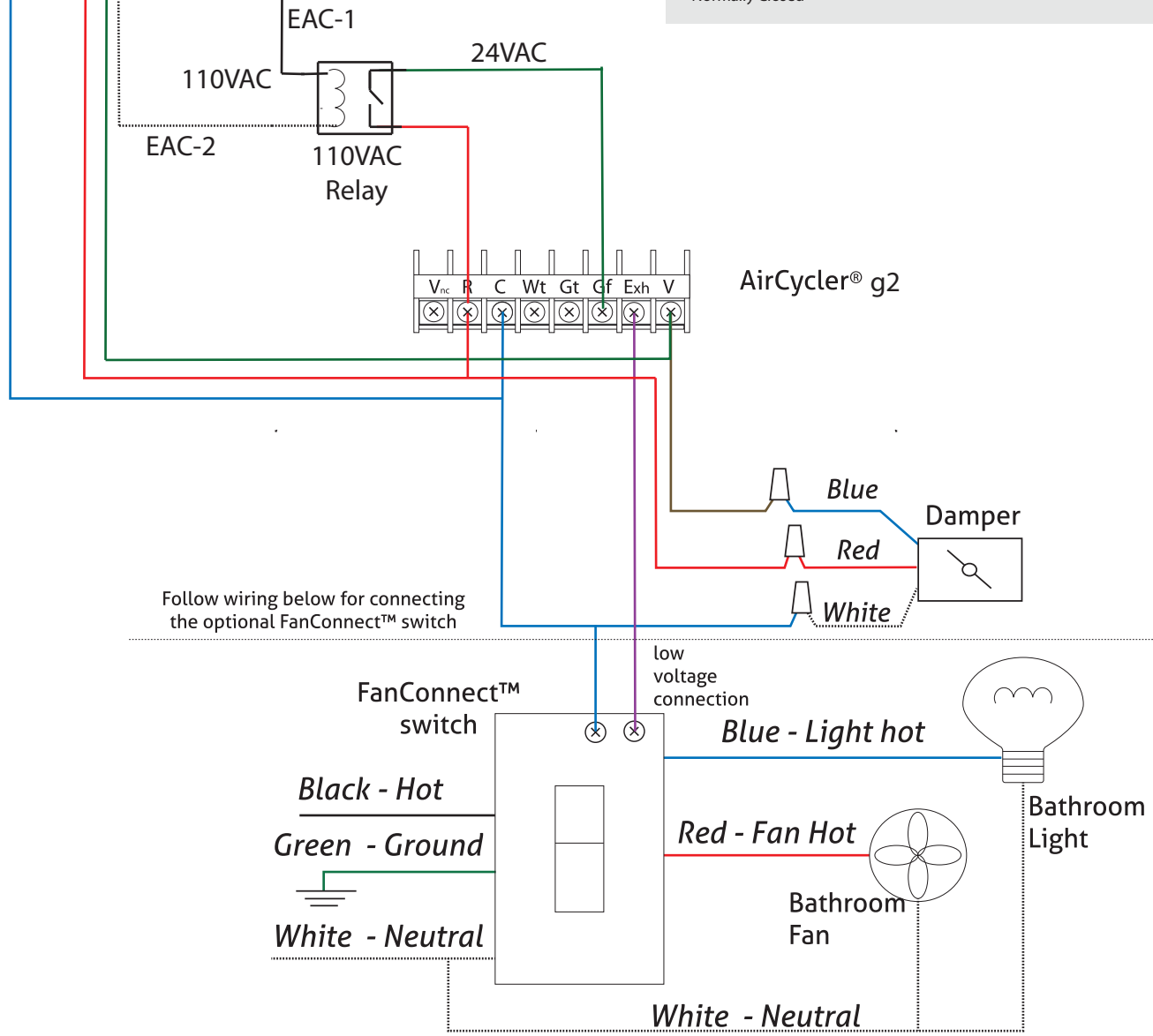


Fig. 36 - Example of Variable Speed Furnace Control

With a system that uses a communicating thermostat, use the 110VAC EAC (Electronic Air Cleaner) terminal and using a 110VAC SPST relay, generate the 24VAC signal required to indicate to the AirCycler controller when the blower is running.

Infinity(r) Touch Control - Installation Instructions - Page 29
 6.3.2.4. Fan Coil G--Terminal
 This setup option selects desired operation when the R--G circuit changes state on the fan coil control board depending on setup.
 Under the function option, FAN turns on fan to selected fan speed when G terminal is energized. SHUTDOWN shuts off fan and equipment when initiated. After the selections are made, touch SAVE.
 Function: Disabled, Fan or Shutdown
 Default = Disabled <- set to Fan
 Fan Speed: Low, Med, or High
 Default = Low <- set to desired speed.
 Shutdown:
 Normally Open
 Normally Closed



Follow wiring below for connecting the optional FanConnect™ switch

