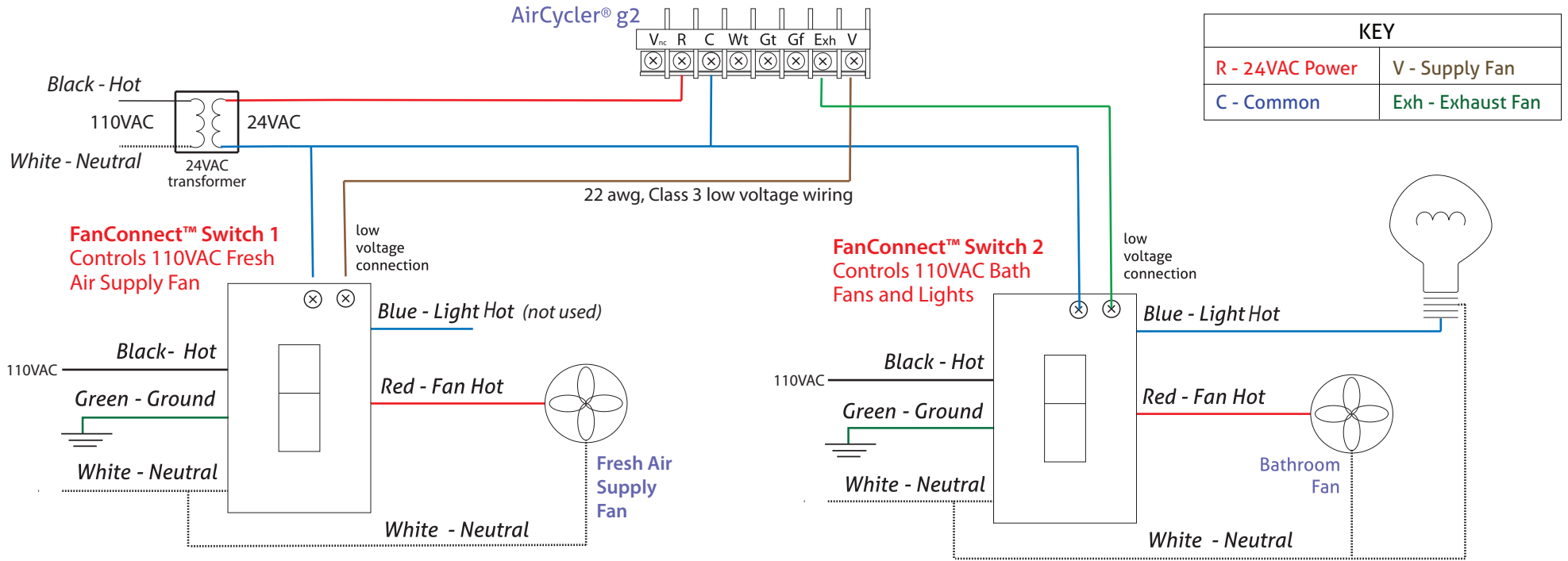


AIRCYCLER® G2 WIRING

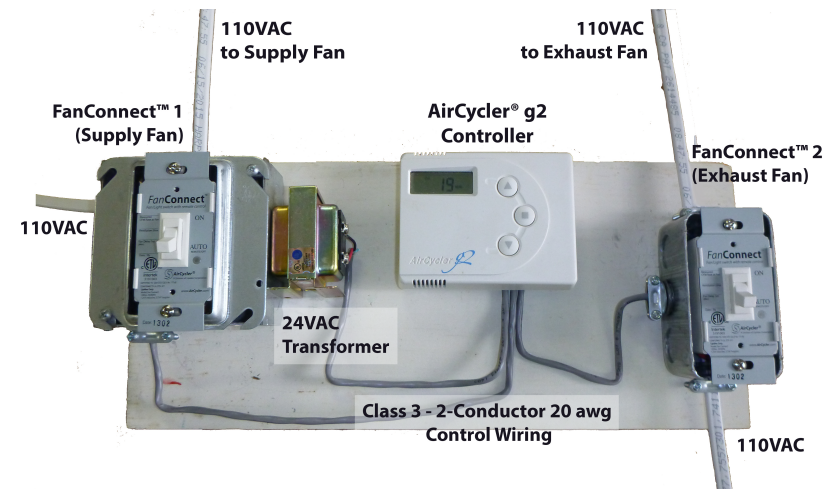
SUPPLY FAN & EXHAUST FAN | NO AIR HANDLER

A mechanical ventilation solution for mild climates that uses a supply fan in conjunction with a bathroom exhaust fan. Can be programmed to run in a balanced mode where both fans run at the same time when either is activated.



By using the AirCycler® g2 to control both an exhaust fan, such as the bathroom fan, and a fresh air supply fan, the fresh air supply can be programmed to run a set number of minutes every hour to provide for required mechanical ventilation. If desired, the bath fan can be activated at the same time to provide a “balanced” ventilation strategy.

Any time the the bathroom light is turned on, the exhaust fan turns on and the fresh air supply fan is turned on. When the light is turned off the fans continue to run for the set Delay time to continue cleaning out the bathroom. Every hour, the fan(s) run for the set ventilation minutes, minus any bathroom use and delay time.



This product may be protected by one or more of the following patents and patents pending: 8185244, 7,225,995, 7,258,280 Canada 2,562,062



Part No:	Description:
AC-G2	AirCycler® g2 Controller
AC-FCS	FanConnect™ Switch