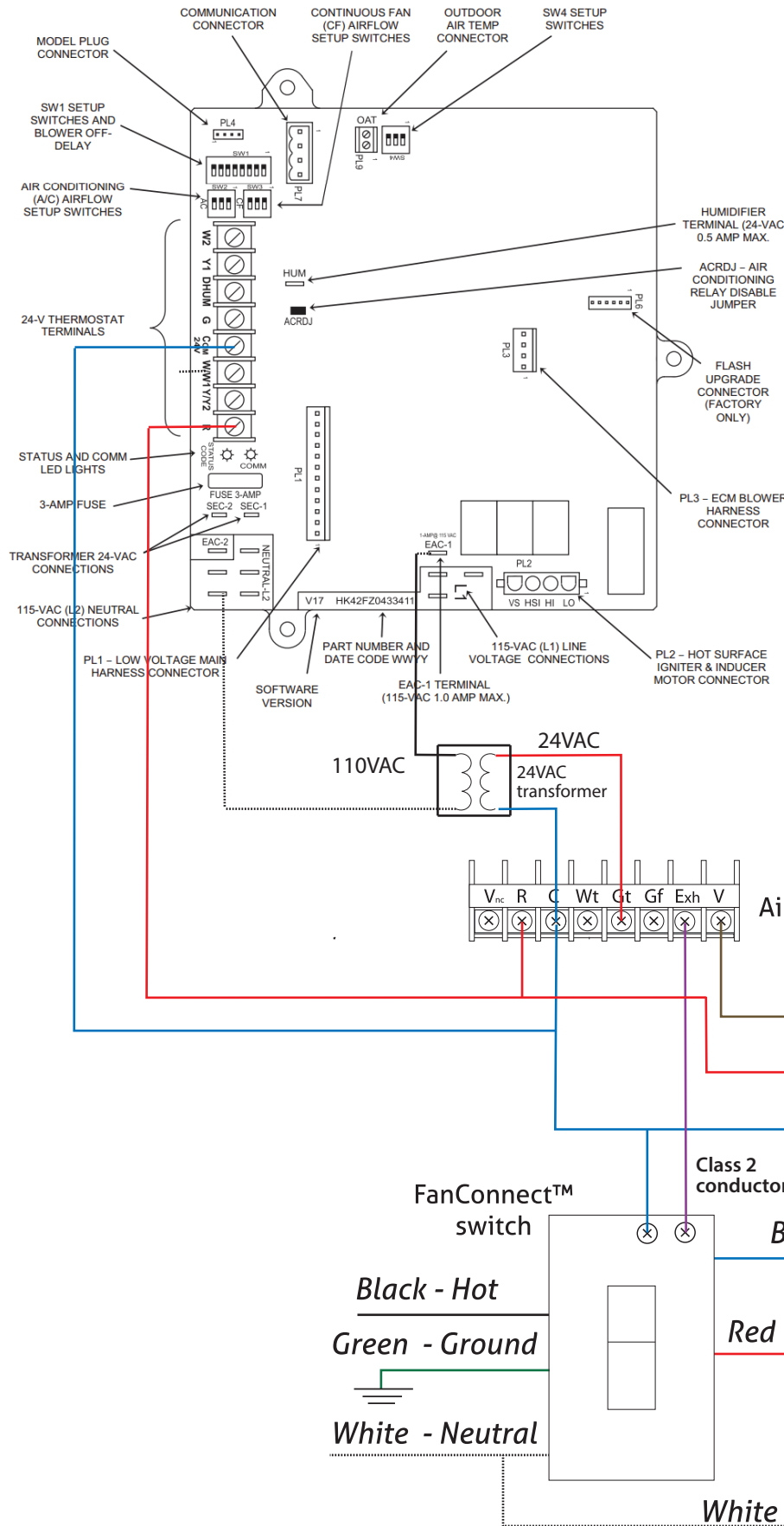


AIRCYCLER® G2-K WIRING COMMUNICATING THERMOSTAT WIRING

PAGE 1 WIRING FOR DAMPER PART# FAD
PAGE 2 WIRING FOR DAMPER PART# MVCD

Using an exhaust fan for supplemental ventilation

With a system that uses a communicating thermostat, such as the Carrier Infinity system, use the 110VAC EAC (Electronic Air Cleaner) terminals and a 110VAC SPST relay to generate the 24VAC signal required to indicate to the AirCycler controller when the furnace fan is running.



**WIRING FOR DAMPER
PART #FAD**

WIRING FOR DAMPER PART #MVCD

