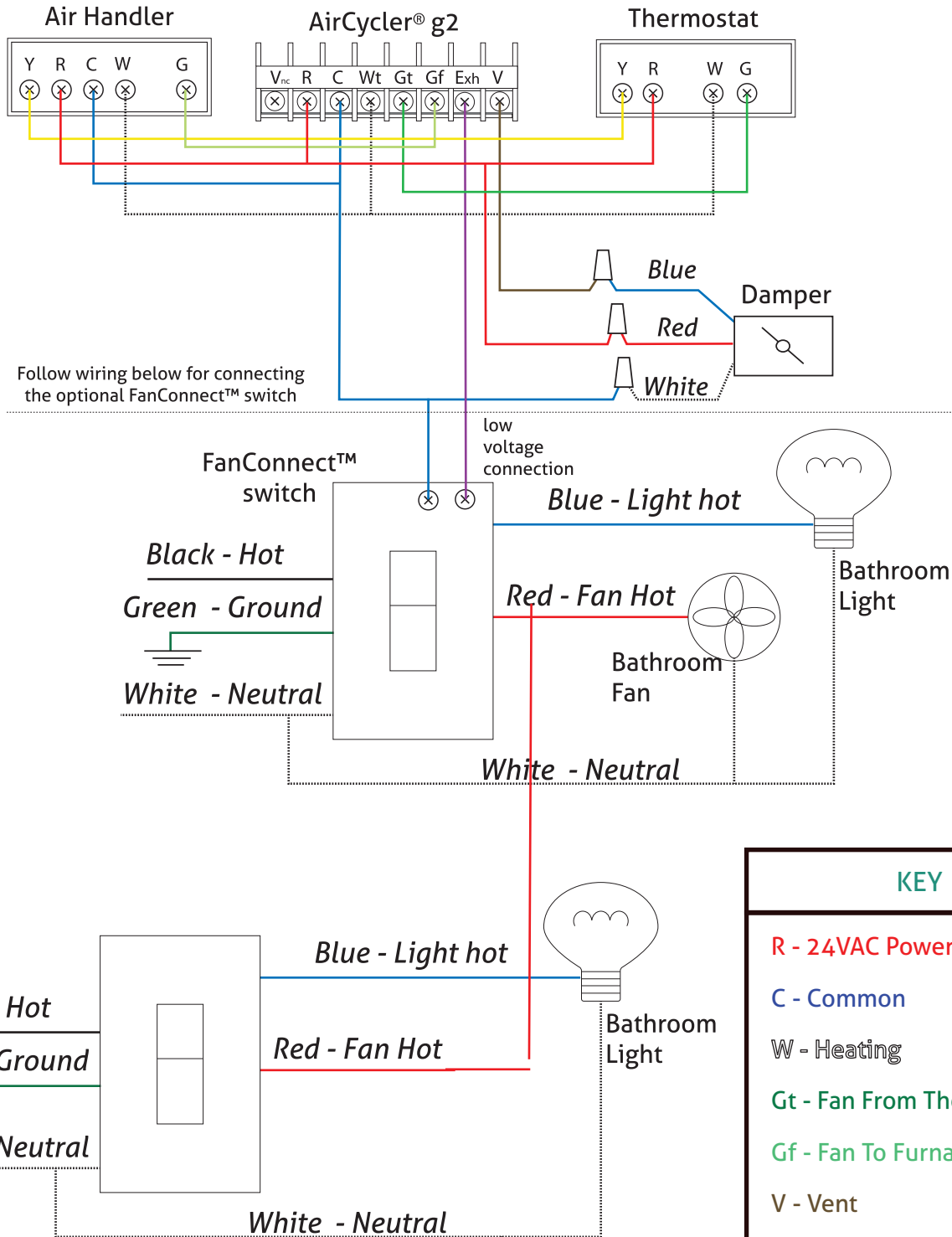


AIRCYCLER® G2-K WIRING

TWO BATHROOMS - ONE EXHAUST FAN WITH SMARTEXHAUST™



SmartExhaust™

KEY
R - 24VAC Power
C - Common
W - Heating
Gt - Fan From Thermostat
Gf - Fan To Furnace
V - Vent
Ex - Exhaust Fan
Vnc - Normal Closed Vent (To power spring-return dampers that are normally open)