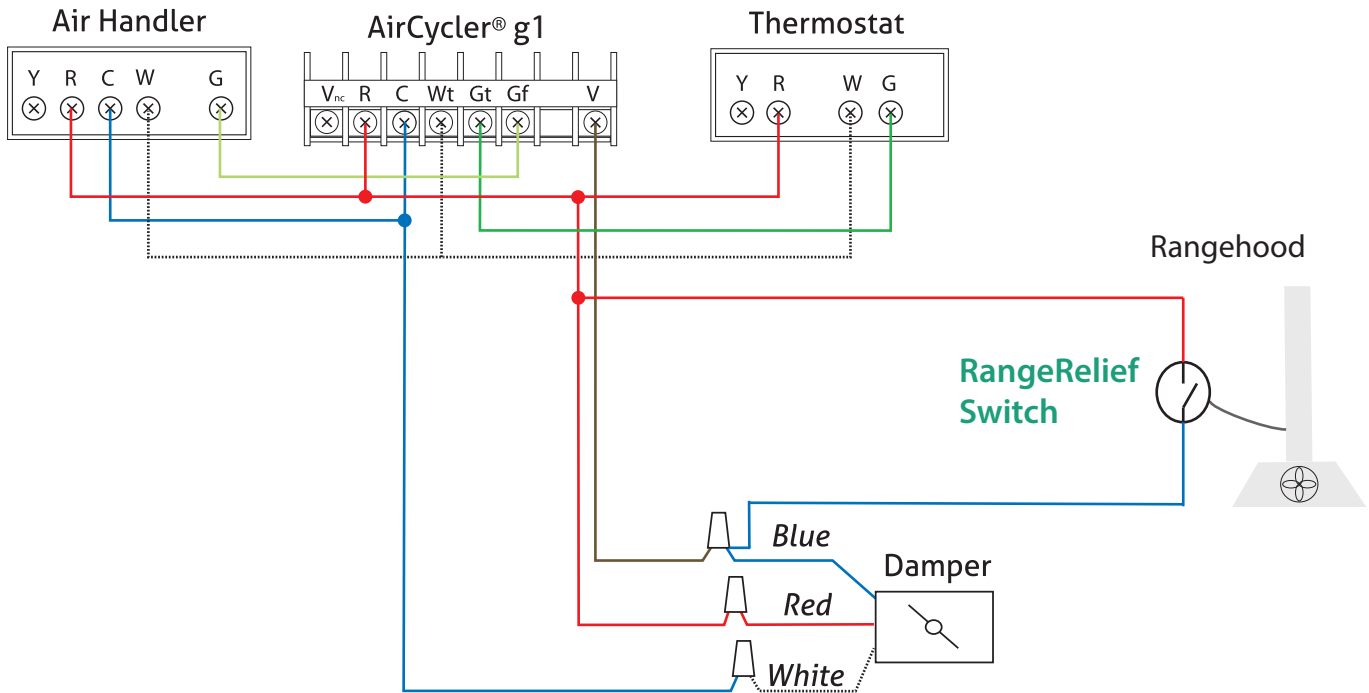


AIRCYCLER® G1 WIRING

WITH OPTIONAL RANGERELIEF PRESSURE SWITCH



ACG1D
AirCycler® g1 +
Motorized Damper



ACRR
RangeRelief
Rangehood Pressure
Sensor

KEY

R - 24VAC Power

C - Common

W - Heating

Gt - Fan From Thermostat

Gf - Fan To Furnace

Vnc - Normal Closed Vent

(To power spring-return
dampers that are
normally open)